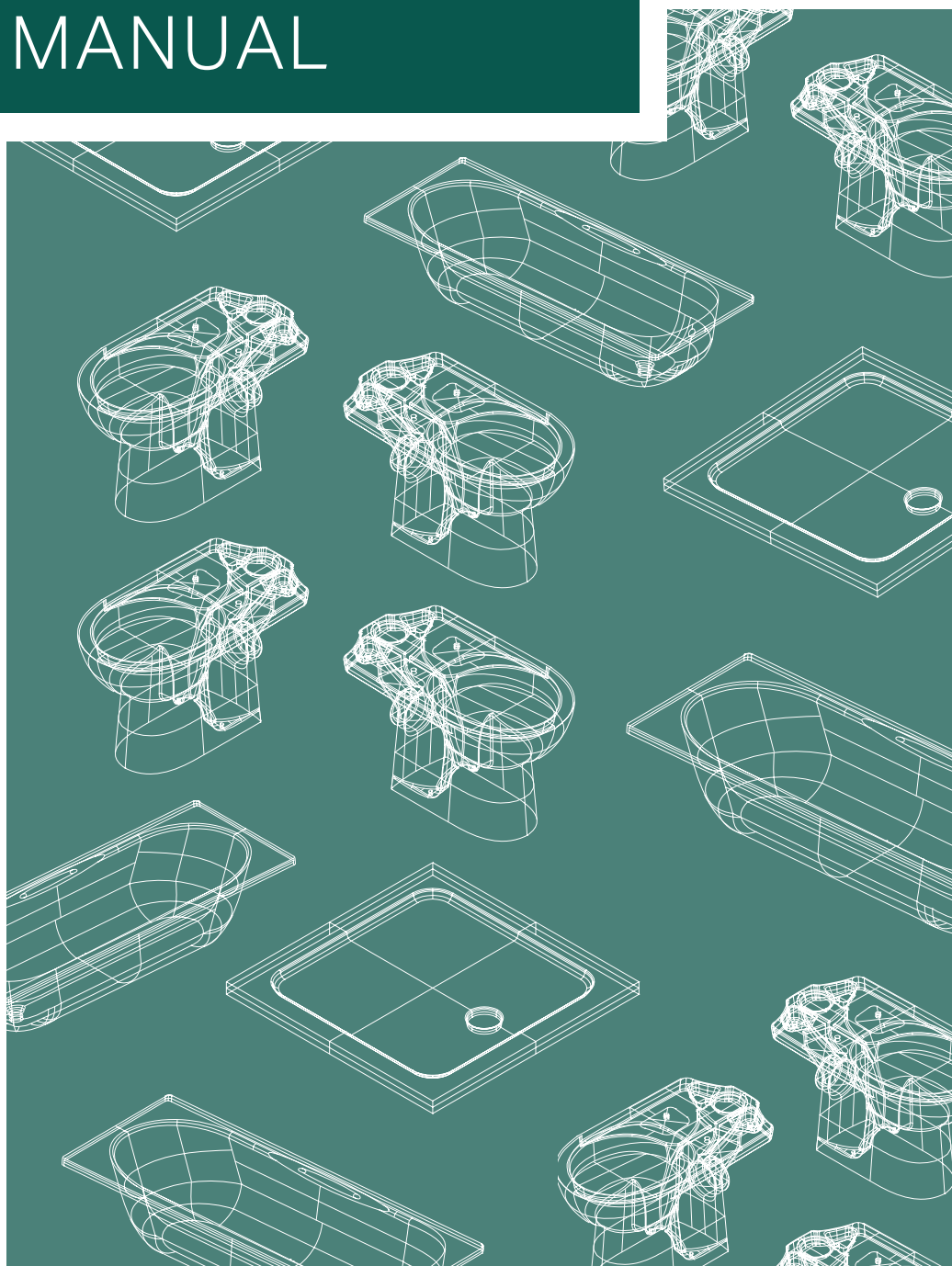


# SPECIFICATION MANUAL

Twyford  
Geberit Group



# EVERY PRODUCT YOU'LL EVER NEED

## CONTENTS

<b>Introduction</b>	<b>3</b>	<b>Washbasins</b>	<b>51</b>	<b>Urinals</b>	<b>136</b>
Key to logos	4	Standard	52	Division	142
Our sectors	5	Medical	69	Systems & cisterns	143
Water saving	6	Countertop	73	Wastes	145
Rimfree®	8	Semi-recessed	74		
Odourwise™	10	Total install®	75	<b>Fireclay</b>	<b>146</b>
Online Product Catalogue	12	Accessories	76	Sinks	147
Key contacts	13			Trough	149
Regulations & standards	14	<b>Baths</b>	<b>77</b>	Fittings	150
Our guarantee	16	Acrylic	78		
		Steel	87	<b>Stainless steel</b>	<b>151</b>
<b>WCs</b>	<b>18</b>	Panels	95	Sinks & troughs	152
Close coupled	19	Wastes	98	Hoppers	164
Back-to-wall	28			WC & urinal	167
Wall-hung	37	<b>Taps &amp; mixers</b>	<b>99</b>	Janitorial units	168
Low level	40	Specialised	100	Drinking fountains	169
Squatting pan	42	Accessories	127	Fittings	172
Fittings	43				
Concealed cisterns	44	<b>Shower Trays</b>	<b>128</b>	<b>Less able</b>	<b>173</b>
Seats	47	Trays	129	Doc.M packs	174
		Accessories	135	Support items	202

Twyford have led the way in bathroom design for over 160 years. With outstanding quality, great looks and innovative features, Twyford offer a comprehensive range of products to suit any application.

This specification manual is designed to guide you through our entire portfolio of products, making it simple to specify the right products for each job. It's divided into product section and on each page colour coded logos indicate which sector the product is suitable for (please refer to page 5 for details). Each page contains all the appropriate product information including approvals.

## **CLEVER THINKING**

Twyford are constantly introducing innovative, market leading ideas to make the bathroom experience even better - like the first ever Rimfree® toilet and the water saving Flushwise® system.

Clever technology and smart design features.

## **GREAT EXPERIENCE**

Twyford have been leaders in bathroom design for over 160 years with a reputation for guaranteed quality and superb performance along the way.

## **EXPERIENCED TEAM**

The Twyford team are on top of their game - from design and production to marketing and merchandising.

From customer service to after sales, we're all dedicated to delivering the very best in products, service and support.

## **GOOD LOOKS**

Twyford bathroom ranges don't just perform superbly, they look terrific too. Form and function combine to create style statements for the modern bathroom. Practical and durable, smart and stunning. The perfect solution, every time.

# KEY TO LOGOS



Twyford's water saving dual flush 4/2.6 litre cistern system. Please refer to pages 6 - 7.

---



A toilet that has no rim meaning there is nowhere for germs to hide and making it easier to clean. Please refer to pages 8 - 9.

---



A revolutionary development in waterless urinal technology to eliminate odours. Please refer to page 10.

---



The European Water Label (EWL) is designed to help easily identify water efficient products, which when installed and used correctly will use less water and save energy and money, compared to other products available in the market. Please visit the European Water Label website: [www.europeanwaterlabel.eu](http://www.europeanwaterlabel.eu) for more information.

---



A range of Twyford products are registered for the DEFRA Enhanced Capital Allowance Schemes (ECA). Water technology list for efficient toilets.

Please visit the DEFRA website: [www.eca-water.gov.uk](http://www.eca-water.gov.uk) for more information.

---



TMV2 is an accreditation for thermostatic mixing valves that conform to BS-EN 1111 and 1287. Reliable thermal safety performance for domestic bath shower or bidet use.

---



TMV3 is a standard created for thermostatic mixing valves in healthcare and commercial areas that have enhanced thermal safety performance and comply with NHS Estates requirements specification DO8.

# OUR SECTORS



Healthcare



Education



Hotels



Commercial



Less Able



Residential



## CO-OPERATIVE GROUP HQ, MANCHESTER

This landmark building was awarded the highest ever BREEAM rating and was officially opened by the Queen on 14th November 2013. Twyford are delighted to have been involved in this momentous development, constituting the World's most environmentally-friendly building.

# GOOD LOOKS & GREAT WATER SAVING IDEAS

TWYFORD LEAD THE WAY IN WATER SAVING INNOVATION THROUGHOUT THE BATHROOM. WITH US, IT'S NOT AN AFTERTHOUGHT - EVERYTHING IS DESIGNED WITH WATER USE REDUCTION IN MIND.

## OUTPERFORMING THE REGULATIONS

The problem of water scarcity is increasing globally. Current usage is unsustainable, and water saving is a key element in planning for new developments. At Twyford, we design with this in mind. It's not an afterthought, it's an inspiration. Our innovative, market leading products conform to and outperform regulations, reducing water consumption dramatically, with no compromise on functionality and style.

## THE EUROPEAN WATER LABEL

All Twyford toilets and many other Twyford products are registered and therefore listed by the European Water Label (EWL). The European Water Label is designed to help easily identify water efficient products, which when installed and used correctly will use less water and save energy and money, compared to other products available in the market.

Please visit the European Water Label website:

**[www.europeanwaterlabel.eu](http://www.europeanwaterlabel.eu)** for more information.



## WATERWISE

Twyford were the pioneers of Flushwise®, the dual flush 4/2.6 litre technology for toilets that has since become widely adopted across the UK bathroom industry, it is for this product that Twyford received the Waterwise Marque back in 2007. The Waterwise Marque - the first scheme in the UK to highlight water efficient products. It is awarded annually to products which reduce water wastage or raise awareness of water efficiency. Please visit the Waterwise website: **[www.waterwise.org.uk](http://www.waterwise.org.uk)** for more information.





Opal

130  
litre

## TOILETS

More than half (63%) of our daily water consumption at home originates from the bathroom and toilet.



Twyford have been leading the way in reducing toilet flush volumes.

We have revolutionised the field by pioneering the unique Flushwise® dual flush push button toilet. Flushwise® toilets use 4 or 2.6 litres each flush, that's 60% less water than a standard toilet and is also available on concealed cisterns.

## BATHS

Twyford's Celtic steel bath has a capacity of just 140 litres, that's an estimated 35% water saving compared to a typical standard size bath. The Opal acrylic 1700 x 700mm bath is also available in a water saving option, with a low volume capacity of only 130 litres to overflow.

## URINALS

Our waterless urinals are able to flush at 1 litre for an energy saving water efficient solution. They have an electronic times flush and are low maintenance and easy to care for.

# CLEAN, GREEN AND STYLISH



THE REVOLUTIONARY RIMFREE® TOILETS ARE AVAILABLE ACROSS OUR TWYFORD COLLECTIONS. THERE'S NO RIM SO THERE'S NOWHERE FOR GERMS AND DIRT TO HIDE. LIGHT ON CLEANING. LIGHT ON WATER USAGE. GOOD LOOKING TOO. SIMPLE. BUT BRILLIANT.

VISIT [WWW.TWYFORDBATHROOMS.COM](http://WWW.TWYFORDBATHROOMS.COM)  
FOR MORE DETAILS ON RIMFREE®

## **CLEAN**

With no concealed rim, there's nowhere for germs to hide, so the toilet is not only hygienic, it's smarter and easier to clean, too.

## **GREEN**

Thealcona rimfree toilet is now available with Twyford's unique Flushwise® 4 and 2.6 litre dual flush technology, using up to 60% less water than a standard toilet.

## **STYLISH**

Rimfree® toilets are available across a selection of our ranges - all with a cool contemporary design and with a range of complimentary washbasins, bidets and furniture, which co-ordinate to create a complete look for every bathroom.





# TWYFORD WATERLESS SYSTEMS



## TWYFORD WATERLESS SYSTEMS

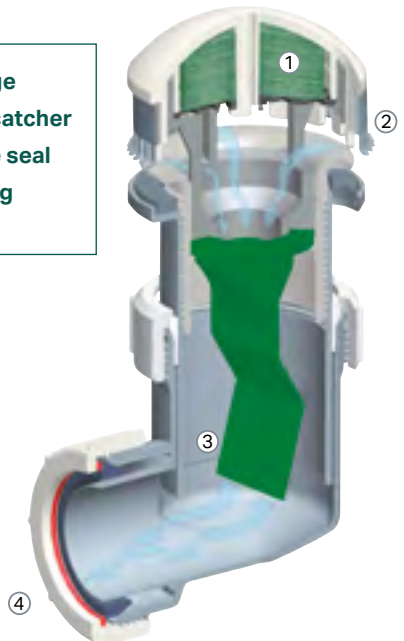
Urine passes through the replaceable Twyford waterless system Odourwise™ cartridge, where the malodour counteractant tackles smells immediately. Friendly bacteria in the cartridge break down the uric salts, preventing the build-ups that cause blockages and as there's no water, there's no lime scale build-up either. The valve also acts as a physical barrier to prevent odours coming back through the bowl.

With no odours, no blockages and no flooding, it creates a healthier, more hygienic and pleasant environment for the user, while saving water and money throughout the system.

### FEATURES AND BENEFITS:

- Combination of microbes penetrate uric salts (making them soluble)
- Lime scale inhibitors
- Malodour counteractants overcome unpleasant smells above the urinal bowl
- Valve is non porous
- Replaces trap with a closed system
- Speeds up continuity of the flow
- Valve also acts as a physical barrier to prevent odours coming back through the bowl
- Has anti-siphonic and natural air admittance properties
- Cartridge recyclable
- Made of virgin polypropylene
- Can be disposed of in standard waste bin

1. Cartridge
2. Debris catcher
3. Hygiene seal
4. Plumbing system



### WATERLESS SYSTEMS INSTALLATION PACKAGE INCLUDES:

- Waste, valve & trap
- Tap hole cover
- White cartridge
- Waste key
- Flexi hose
- Valve assembly key



# TWYFORD WEBSITE

## WWW.TWYFORDBATHROOMS.COM

The Twyford Website has a dedicated area for industry professionals, including the innovative SpecMaster online product specification tool [www.specmasteronline.com](http://www.specmasteronline.com) for use by architects, designers, specifiers and contractors.

A central download area [www.twyfordbathrooms.com/professionals-area/downloads](http://www.twyfordbathrooms.com/professionals-area/downloads) allows users to access and download Twyford technical files including:

- Product sheets (these are the pages in this document)
- Technical drawings
- 2D Files
- 3D Files
- Certificates (approvals)
- BIM Files

Multiple filters are also available to further refine downloads.

Twyford Professionals area also includes links to information on DOP and CE Marking and lists key strategic partners.





## **KEY CONTACTS**

### **REGISTERED OFFICE**

Edgehill Drive, Warwick, Warwickshire CV34 6NH

### **WEBSITE**

[www.twyfordbathrooms.com](http://www.twyfordbathrooms.com)

### **GENERAL ENQUIRIES**

Tel: 01926 516800 Fax: 01926 400101 Email: [enquiries.gb@geberit.co.uk](mailto:enquiries.gb@geberit.co.uk)

### **TECHNICAL HELPLINE**

Tel: 01926 516800 Fax: 01926 400101 Email: [technical@geberit.co.uk](mailto:technical@geberit.co.uk)

# REGULATIONS AND STANDARDS

The following information gives references and sources for UK Regulations and Standards for sanitary provision in commercial and domestic buildings.

These may not be applicable in countries and regions other than the UK and may differ between England, Wales, Scotland & Northern Ireland.

The requirements for the provision of sanitary fittings are, in general, governed by the UK Building Regulations. These, in turn, relate to British and European standards. For some applications specific guidance documents may be relevant e.g. Healthcare.

Twyford has invested heavily in product development and can guarantee that the sanitary ware it supplies fully complies with regulations. All Twyford WCs pass the UK flush test (EN997 Class 2), one of the most stringent flush tests in Europe.

## **BUILDING REGULATIONS, ENGLAND AND WALES**

The Building Regulations for England and Wales exist principally to ensure the health and safety of people in and around buildings. They also provide for access to and around buildings.

The regulations apply to most new buildings and many alterations of existing buildings, whether domestic, commercial or industrial.

The following building regulations refer to sanitary ware, further information is available at: [www.planningportal.gov.uk](http://www.planningportal.gov.uk)

- Building Regulations Part G - Sanitation, Hot water safety & Water efficiency
- Building Regulations Part H - Drainage and waste disposal
- Building Regulations Part M - Access and use of buildings

## **BUILDING REGULATIONS, SCOTLAND**

The following website is a useful source for the details of the regulations:  
[www.gov.scot/Topics/Built-Environment/Building/Building-standards](http://www.gov.scot/Topics/Built-Environment/Building/Building-standards)

## **BUILDING CONTROL NORTHERN IRELAND**

The following website is a useful source for the details of the regulations:  
[www.buildingcontrol-ni.com/regulations](http://www.buildingcontrol-ni.com/regulations)

## **WATER REGULATIONS**

The Water Supply (Water Fittings) Regulations 1999 are applicable to England and Wales. In Scotland they are known as The Water Byelaws and are there to protect the public water supply from waste, misuse, undue consumption and contamination.

## **LABC (LOCAL AUTHORITY BUILDING CONTROL)**

LABC represents all local authority building control teams in England and Wales. Members work cooperatively with building owners, home owners, architects, plan drawers, developers, building contractors and other professionals to ensure buildings are safe, healthy and efficient to meet the standards set by the building regulations.

Twyford utilises the LABC registration scheme for approval and compliance of our less able washroom facilities according to Part M of the building regulations. This ensures acceptance by all local authorities and makes the building approval process easier.

## HEALTHCARE (HEALTH BUILDING NOTES)

Issued by the Department of Health, Health Building Notes give best practice guidance on the design and planning of new healthcare buildings and on the adaptation/extension of existing facilities.

They provide information to support the briefing and design processes for individual projects in the NHS building programme.

### HBN 00-10 Part C / HTM64

This Health Building Note (HBN) outlines the policy and performance requirements for sanitary assemblies used in healthcare facilities. These requirements are a set of essential standards of quality and safety that sanitary assemblies must comply with. It supersedes Health Technical Memorandum 64 (England only).

For further information visit: [www.gov.uk/dh](http://www.gov.uk/dh) and search for 'health building notes' and 'health technical memoranda' to open the full series.

## CODE FOR SUSTAINABLE HOMES

Following the technical housing standards review, in March 2015 the government issued a written ministerial statement withdrawing the code for sustainable homes, aside from the management of legacy cases.

Legacy cases are:

- those where residential developments are legally contracted to apply a code policy (e.g. affordable housing funded through the National Affordable Housing Programme 2015 to 2018, or earlier programme)
- where planning permission has been granted subject to a condition stipulating discharge of a code level, and developers are not appealing the condition nor seeking to have it removed or varied

In these instances only it is possible to continue to register code cases and conduct code assessments.

The code for sustainable homes was the national standard for the sustainable design and construction of new homes. It aimed to reduce carbon emissions and promote higher standards of sustainable design above the current minimum standards set out by the building regulations

The code used a 1 to 6 star system to rate the overall sustainability performance of a new home against 9 different categories of sustainability.

## BREEAM (BUILDING RESEARCH ESTABLISHMENT ENVIRONMENTAL ASSESSMENT METHODOLOGY)

First published by the Building Research Establishment (BRE) in 1990, BREEAM is the world's longest established method of assessing, rating, and certifying the sustainability of buildings.

BREEAM works to raise awareness amongst owners, occupiers, designers and operators of the benefits of taking a sustainability approach. It helps them to successfully cost and effectively adopt sustainable solutions, and provides market recognition of their achievements.

BREEAM assessment covers a range of criteria including Energy and Water.

Regarding water the aim of the assessment is to reduce the consumption of potable water for sanitary use in new buildings from all sources through the use of water efficient components and water recycling systems including WCs, Urinals, Taps & Showers.

For more information visit: [www.breeam.com](http://www.breeam.com)

# OUR GUARANTEE

- 1.1** This product guarantee is given by Geberit Sales Ltd (a company registered in England and Wales with company number 06142557 with its registered address at Geberit House, Edgehill Drive, Warwick, England, CV34 6NH) and applies to Geberit products purchased within the United Kingdom (guarantee area).
- 1.2** Consumers have statutory rights under the laws of England and Wales in relation to the sale and purchase of goods, and these statutory rights shall not be adversely affected by this guarantee.
- 1.3** Geberit guarantees that on purchase by the customer of a Geberit product, and for a period of 12 months from the date of purchase (or such other period as set out in paragraph 2 – 4 below) (guarantee period), the products shall:
  - 1.3.1** conform in all material respects with their description;
  - 1.3.2** be free from material defects in design, material and workmanship;
  - 1.3.3** be of satisfactory quality (within the meaning of the Consumer Rights Act 2015); and
  - 1.3.4** be fit for any purpose held out by Geberit.
- 1.4** Subject to paragraph 1.5, if:
  - 1.4.1** the customer gives notice in writing to Geberit (either by email to [technical@geberit.co.uk](mailto:technical@geberit.co.uk) or by letter to its registered address) during the guarantee period and within a reasonable time of discovery that some or all of the products do not comply with the guarantee set out in paragraph 1.3.
  - 1.4.2** Geberit is given a reasonable opportunity of examining such products; and
  - 1.4.3** the customer (if asked to do so by Geberit) returns such products to Geberit's place of business at the customer's cost, Geberit shall, at its option, repair or replace the defective products, or refund the price of the defective products in full.
- 1.5** Geberit shall not be liable for any products' failure to comply with the guarantee set out in paragraph 1.3 in any of the following events:
  - 1.5.1** the customer makes any further use of such products after giving notice in accordance with paragraph 1.4;
  - 1.5.2** the defect arises because the customer failed to follow Geberit's oral or written instructions as to the storage, commissioning, installation, use and maintenance of the products or (if there are none) good trade practice regarding the same;
  - 1.5.3** the defect arises as a result of Geberit following any drawing, design or specification supplied by the customer;
  - 1.5.4** the customer alters or repairs such products without the written consent of Geberit;
  - 1.5.5** the defect arises as a result of fair wear and tear, wilful damage, negligence, or abnormal storage or working conditions;
  - 1.5.6** with applicable statutory or regulatory requirements.
- 1.6** The events in paragraph 1.5 above shall apply to any repaired or replacement products supplied by Geberit.
- 1.7** Except as provided in this paragraph 1, Geberit shall have no liability to the customer in respect of the products' failure to comply with the guarantee set out in paragraph 1.3.



# OUR GUARANTEE

## BATHROOM SYSTEMS

The guarantee period under paragraph 1.3 shall be amended as set out below for the following products:

Product	Guarantee period
Ceramics	10 years
Shower enclosures	10 years (2 years on glass coating)
Steel bathtubs	10 years
Acrylic bathtubs	10 years
Shower trays	10 years
Brassware	5 years
Furniture	2 years
Seats and covers	2 years
Fittings	2 years
Stainless steel	2 years
Varicor	2 years
Electrical components	2 years
Accessories	2 years

WCS

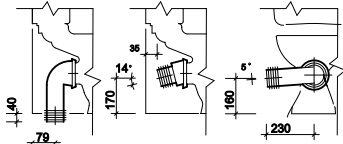
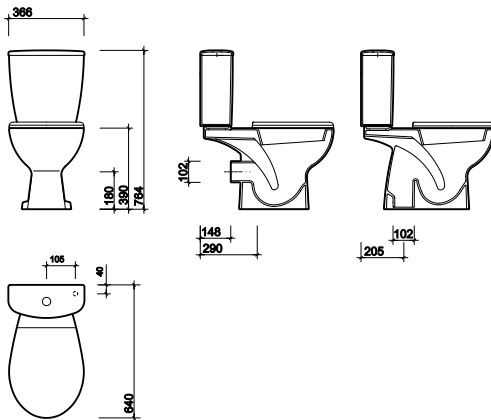


# ALCONA

environmentally friendly 4/2.6 litre dual flush  
co-ordinatingalcona range



Alcona flushwise WC suite, horizontal outlet



All measurements shown are in millimetres.  
Drawing sizes are not to scale.

## TO SPECIFY/ORDER:

Please use the product reference shown below.

### WC PAN

Horizontal outlet **AR1148WH**  
Bottom outlet **AR1145WH**

Flushwise® fitted cistern assembly with fittings:  
Dual 4/2.6L flush, push button **AR2342WH**  
(note: Cistern can be adjusted to 6/4L,  
standard flush.)

### SEAT AND COVER

Top fix **AR7864WH**  
Bottom fix **AR7915WH**  
Soft closing mechanism **AR7851WH**  
Quick release soft closing  
mechanism **AR7857WH**

### MATERIAL

Vitreous china.

### COLOUR

White WH.

### FIXINGS

Install pan to floor fixing **SR1020XX**

### NOTE

Variation in drainage systems may  
necessitate increasing the flush volume to  
ensure efficient drainline carry, this can be  
done post installation up to 6/4 litre max.

### AWARDED

### THE WATERWISE MARQUE

Best design WC for water reduction.



Hotels



Commercial



Residential

# Twyford

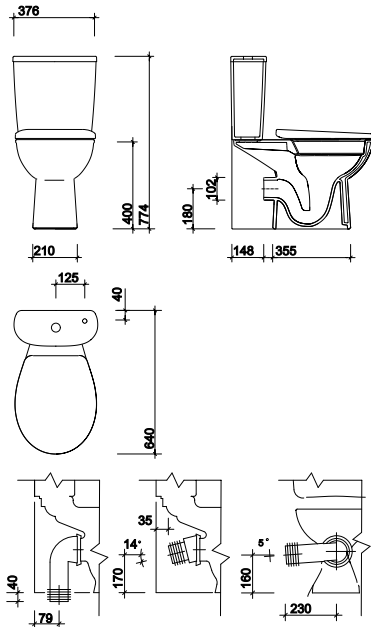
Geberit Group

# ALCONA RIMFREE®

environmentally friendly 4/2.6 litre dual flush  
co-ordinatingalcona range  
rimless design to aid easy cleaning inside



Alcona rimfree® flushwise WC suite, horizontal outlet



All measurements shown are in millimetres.  
Drawing sizes are not to scale.

## TO SPECIFY/ORDER:

Please use the product reference shown below.

### WC PAN

Horizontal outlet

**AR1948WH**

Flushwise® fitted cistern assembly with fittings:

Dual 4/2.6L flush, push button

**AR2346WH**

(note: Cistern can be adjusted to 6/4L, standard flush.)

### SEAT AND COVER

Top fix

**AR7864WH**

Bottom fix

**AR7915WH**

Soft closing mechanism

**AR7851WH**

Quick release soft closing mechanism

**AR7857WH**

### MATERIAL

Vitreous china.

### COLOUR

White WH.

### FIXINGS

Install pan to floor fixing

**SR1020XX**

### NOTE

Variation in drainage systems may necessitate increasing the flush volume to ensure efficient drainline carry, this can be done post installation up to 6/4 litre max.



Hotels



Commercial



Residential

# Twyford

Geberit Group

# AVALON HO

ergonomically designed cistern lever  
raised seating position for ease of use



Avalon close coupled washdown WC suite, horizontal outlet

## TO SPECIFY/ORDER:

Please use the product reference shown below.

### WC PAN

Horizontal outlet	<b>AV1168WH</b>
close coupled cistern and fittings, 6L:	
BSIO, chrome plated lever	<b>AV2611WH</b>
BSIO, with cover clip	<b>AV2711WH</b>

### SEAT AND COVER

25mm, chrome plated hinges	<b>AV7840WH</b>
----------------------------	-----------------

### SEAT RING

Seat 25mm ring only	<b>AV7881WH</b>
Seat 25mm ring only	<b>AV7881BE</b>

### MATERIAL

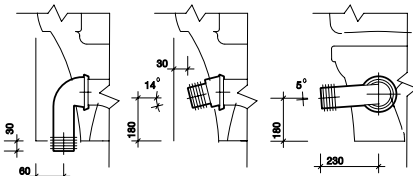
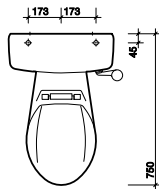
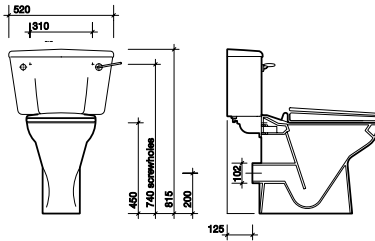
Vitreous china.

### COLOUR

White WH.

### FIXINGS (2 X REQUIRED)

Install pan to floor fixing	<b>SR1020XX</b>
Cistern screwed to wall.	



All measurements shown are in millimetres.  
Drawing sizes are not to scale.



Hotels



Healthcare



Commercial



Residential



Less Able

# Twyford

Geberit Group

# AVALON RIMLESS HO

raised seating position for ease of use  
4 litre flush to meet BREEAM specifications  
fully shrouded to aid easy cleaning outside



Avalon rimless close coupled washdown WC suite, horizontal outlet

## TO SPECIFY/ORDER:

Please use the product reference shown below.

### WC PAN

Horizontal outlet **AV1968WH**  
Close coupled cistern and fittings 4 or 6L:

BSIO, chrome plated spatula lever **AV2661WH**

BSIO, chrome plated spatula lever and cover clip **AV2668WH**

### SEAT AND COVER

With stainless steel top fix hinges and stability buffers:

Grey **AV7865GY**  
Blue **AV7865BE**

With stainless steel, bar hinge, top fix and stability buffers:  
White **AV7875WH**

### SEAT RING

With stainless steel bar hinge, top fix and stability buffers:

White **AV7886WH**  
Grey **AV7886GY**  
Blue **AV7886BE**  
Red **AV7886RD**

### MATERIAL

Vitreous china.

### COLOUR

White WH.

### FIXINGS

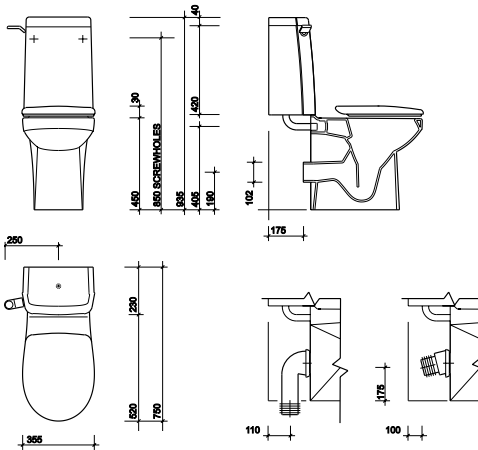
WC screwed to floor, cistern screwed to wall and fixed on wall brackets.

All fixings supplied.

### NOTE

Seat options supplied with stability buffers and standard front buffers.

Cistern is pre-set at 6 litres, to flush at 4 litres remove the blue plug from syphon.



All measurements shown are in millimetres.  
Drawing sizes are not to scale.



Hotels



Healthcare



Education



Commercial



Residential



Less Able

# Twyford

Geberit Group

# OPTION HO

choice of dual flush button or lever cisterns



Option close coupled washdown WC suite, horizontal outlet, with push button cistern



Option close coupled washdown WC suite, horizontal outlet, with lever cistern

## TO SPECIFY/ORDER:

Please use the product reference shown below.

### WC PAN

Horizontal outlet **OT1148WH**

Close coupled cistern and fittings:  
dual flush 6/4L BSIO, push button **OT2396WH**

Close coupled cistern and fittings:  
dual flush 6/4L BSIO,  
chrome plated lever **OT2421WH**

Close coupled cistern and fittings:  
6L BSIO, chrome plated lever **OT2361WH**

### SEAT AND COVER

Stainless steel hinges **OT7815WH**

Plastic hinges **ST2810WH**

### MATERIAL

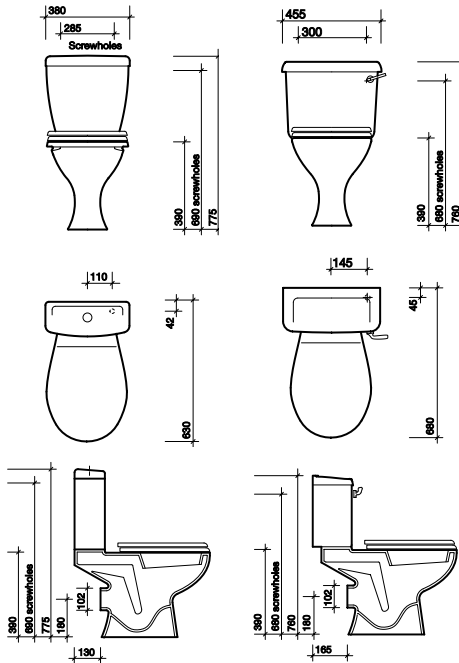
Vitreous china.

### COLOUR

White WH.

### FIXINGS

WC screwed to floor. cistern screwed to wall.



All measurements shown are in millimetres.  
Drawing sizes are not to scale.



Hotels



Commercial



Residential

# Twyford

Geberit Group

# OPTION RAISED HEIGHT

co-ordinating Option range  
raised seating position for ease of use



Option raised height WC suite, horizontal outlet

## TO SPECIFY/ORDER:

Please use the product reference shown below.

### WC PAN

Horizontal outlet **OT1348WH**

Close coupled cistern and fittings:  
dual flush 6/4L BSI0, push button **OT2396WH**

### SEAT AND COVER

Stainless steel hinges **OT7815WH**

### MATERIAL

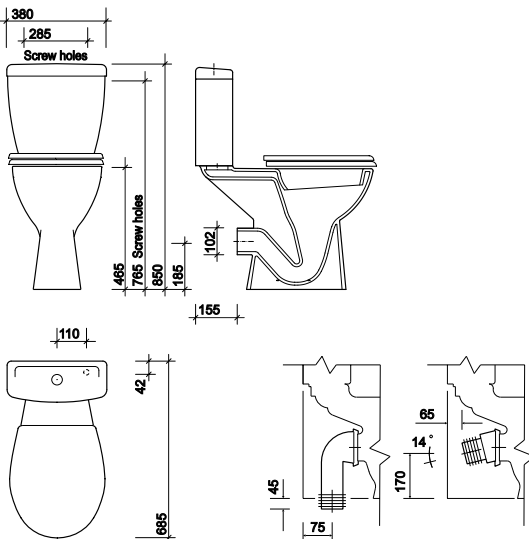
Vitreous china.

### COLOUR

White WH.

### FIXINGS (2 X REQUIRED)

Install pan to floor fixing **SR1020XX**



All measurements shown are in millimetres.  
Drawing sizes are not to scale.



Hotels



Commercial



Residential

# Twyford

Geberit Group

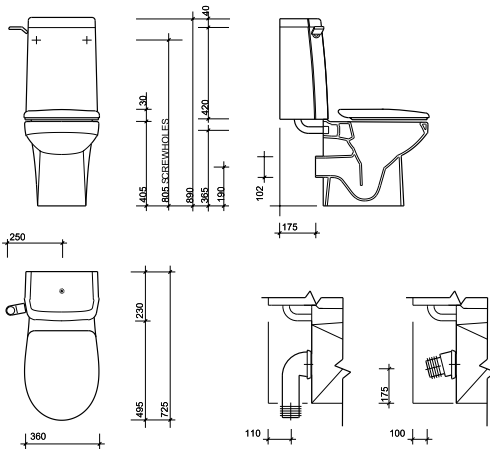


# SOLA RIMLESS HO

4 litre flush to meet BREEAM specifications  
 fully shrouded to aid easy cleaning outside  
 rimless design to aid easy cleaning inside



Sola rimless close coupled washdown WC suite, horizontal outlet



## TO SPECIFY/ORDER:

Please use the product reference shown below.

### WC PAN

Horizontal outlet **SA1968WH**  
 \*Close coupled cistern and fittings 4 or 6L:  
 BSIO, chrome plated spatula lever\* **AV2661WH**  
 BSIO, chrome plated spatula lever  
 and cover clip **AV2668WH**

### SEAT AND COVER

With stainless steel top fix hinges  
 and stability buffers:  
 Grey **AV7865GY**  
 Blue **AV7865BE**  
 With stainless steel, bar hinge, top fix  
 and stability buffers:  
 White **AV7875WH**

### SEAT RING

With stainless steel bar hinge, top fix  
 and stability buffers:  
 White **AV7886WH**  
 Grey **AV7886GY**  
 Blue **AV7886BE**  
 Red **AV7886RD**

### MATERIAL

Vitreous china.

### COLOUR

White WH.

### FIXINGS

WC screwed to floor, cistern screwed to wall  
 and fixed on wall brackets.

All fixings supplied.

### NOTE

Seat options supplied with stability buffers  
 and standard front buffers.  
 Cistern is pre-set at 6 litres, to flush at 4 litres  
 remove the blue plug from syphon.

All measurements shown are in millimetres.  
 Drawing sizes are not to scale.



Hotels



Healthcare



Education



Commercial

**Twyford**  
 Geberit Group

# SOLA SCHOOL RIMLESS 300 HO

4 litre flush to meet BREEAM specifications  
fully shrouded outside & rimless to aid easy cleaning  
left or right hand lever positioning



Sola school rimless 300 close coupled washdown WC suite

## TO SPECIFY/ORDER:

Please use the product reference shown below.

### WC PAN

WC pan, horizontal outlet

**SA1512WH**

\*Close coupled cistern and fittings 4 or 6L:

BSIO, chrome plated spatula lever\*

**AV2661WH**

BSIO, chrome plated spatula lever\*  
and cover clip

**AV2668WH**

### SEAT

Open front seat ring with top fix  
stainless steel hinged:

White

**SA1304WH**

Blue

**SA1304BE**

### MATERIAL

Vitreous china.

### COLOUR

White WH.

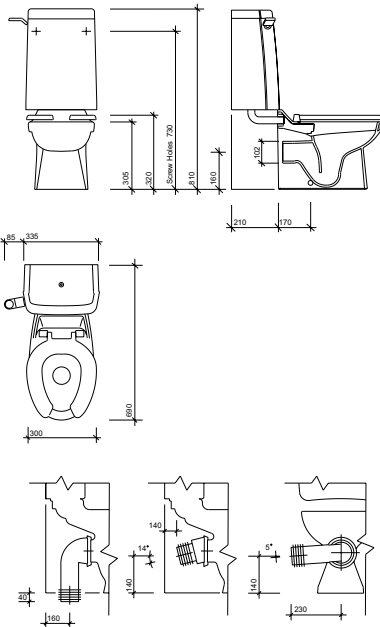
### FIXINGS

WC screwed to floor with fixings provided.

Cistern screwed to wall.

### NOTE

\*Cistern is pre-set at 6 litres, to flush at 4 litres  
remove the blue plug from syphon.



All measurements shown are in millimetres.  
Drawing sizes are not to scale.



Education

# Twyford

Geberit Group

# SOLA SCHOOL RIMLESS 350 HO

4 litre flush to meet BREEAM specifications  
fully shrouded outside & rimless to aid easy cleaning  
left or right hand lever positioning



Sola school rimless 350 close coupled washdown WC suite

## TO SPECIFY/ORDER:

Please use the product reference shown below.

### WC PAN

WC pan, horizontal outlet **SA1514WH**  
\*Close coupled cistern and fittings 4 or 6L:  
BSIO, chrome plated spatula lever\* **AV2661WH**  
BSIO, chrome plated spatula lever\*  
and cover clip **AV2668WH**

### SEAT

Full seat ring with top fix  
stainless steel hinges:  
White **SA1306WH**  
Blue **SA1306BE**

### MATERIAL

Vitreous china.

### COLOUR

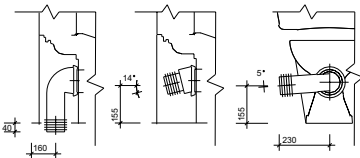
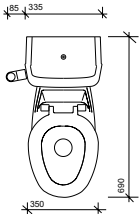
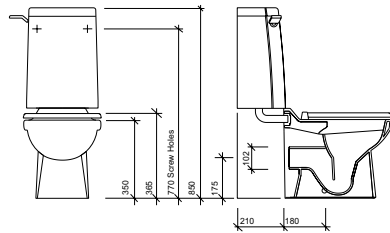
White WH.

### FIXINGS

WC screwed to floor with fixings provided.  
Cistern screwed to wall.

### NOTE

\*Cistern is pre-set at 6 litres, to flush at 4 litres  
remove the blue plug from syphon.



All measurements shown are in millimetres.  
Drawing sizes are not to scale.



Education

**Twyford**  
Geberit Group

# ALCONA BTW

environmentally friendly 4/2.6 litre dual flush  
soft closing mechanism seat option available



Alcona back-to-wall WC suite

## TO SPECIFY/ORDER:

Please use the product reference shown below.

### WC PAN

Horizontal outlet

**AR1438WH**

### CONCEALED CISTERNS

Refer to concealed cisterns matrix for list of lever cisterns. For push button cisterns please visit [www.geberit.co.uk](http://www.geberit.co.uk).

### SEAT AND COVER

Top fix

**AR7864WH**

Bottom fix

**AR7915WH**

Soft closing mechanism

**AR7851WH**

Quick release soft closing mechanism

**AR7857WH**

### MATERIAL

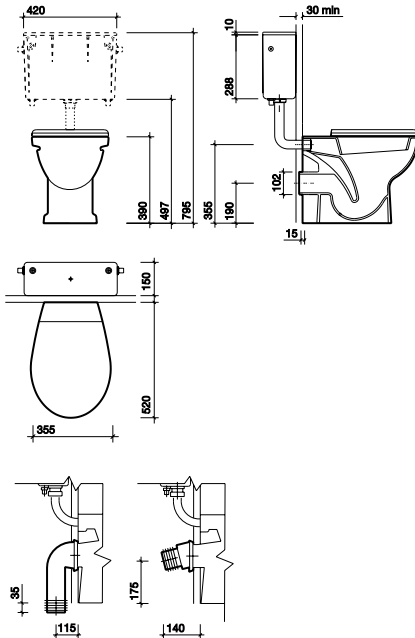
Vitreous china.

### COLOURS

White WH.

### FIXINGS

WC screwed to floor, and sealed to wall and floor using silicone building sealant (not provided). Cistern screwed to wall. Fittings supplied.



All measurements shown are in millimetres.  
Drawing sizes are not to scale.



Hotels



Education



Commercial



Residential

# Twyford

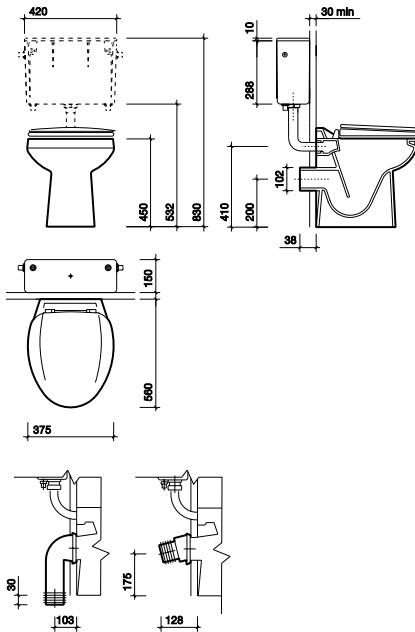
Geberit Group

# AVALON BTW

raised seating position for ease of use  
fully concealed plumbing



Avalon back-to-wall WC suite



All measurements shown are in millimetres.  
Drawing sizes are not to scale.

## TO SPECIFY/ORDER:

Please use the product reference shown below.

### WC PAN

Horizontal outlet

AV1168WH

### CONCEALED CISTERNS

Refer to concealed cisterns matrix for list of lever cisterns. For push button cisterns please visit [www.geberit.co.uk](http://www.geberit.co.uk).

### SEAT AND COVER

Seat and cover  
with chrome plated hinges

AV7840WH

### SEAT RING

25mm Seat ring  
25mm Seat ring

AV7881WH  
AV7881BE

### MATERIAL

Vitreous china.

### COLOUR

White WH.

### FIXINGS

Install pan to floor fixing

SR1020XX

### (NOTE: 2 REQUIRED)

Seal to wall using silicone building sealant  
(not provided). Cistern screwed to wall.



Hotels



Healthcare



Commercial



Less Able

# Twyford

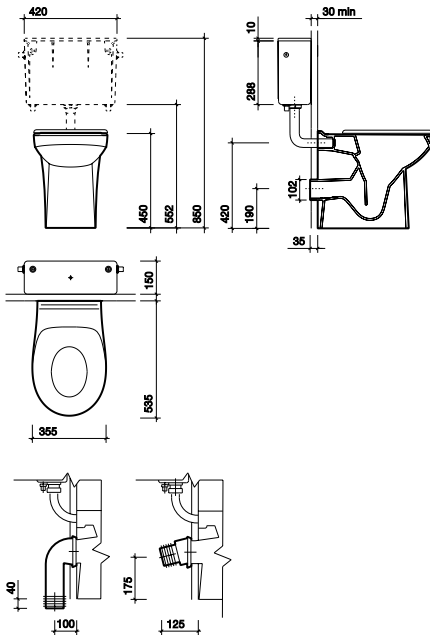
Geberit Group

# AVALON RIMLESS BTW

raised seating position for ease of use  
4 litre flush to meet BREEAM specifications  
fully shrouded pan with enclosed seat holes



Avalon rimless back-to-wall washdown WC suite, horizontal outlet



All measurements shown are in millimetres.  
Drawing sizes are not to scale.

## TO SPECIFY/ORDER:

Please use the product reference shown below.

### WC PAN

Avalon rimless, horizontal outlet **AV1968WH**

### CONCEALED CISTERNS

Refer to concealed cisterns matrix for list of lever cisterns. For push button cisterns please visit [www.geberit.co.uk](http://www.geberit.co.uk).

### SEAT RING

With stainless steel bar hinge, top fix and stability buffers:

White **AV7886WH**  
Grey **AV7886GY**  
Blue **AV7886BE**  
Red **AV7886RD**

### SEAT AND COVER

With stainless steel top fix hinges and stability buffers:

Grey **AV7865GY**  
Blue **AV7865BE**

With stainless steel, bar hinge, top fix and stability buffers:

White **AV7875WH**

### APPROVALS

HBN 00-10 C, code WC H

### MATERIAL

Vitreous china.

### COLOUR

White WH.

### FIXINGS

Screwed to floor with fixings provided.  
Seal to wall and floor using silicone building sealant (not provided).



Hotels



Healthcare



Education



Commercial



Residential



Less Able

# Twyford

Geberit Group

# AVALON RIMLESS 700 BTW

raised seating position for ease of use  
fully shrouded outside & rimless to aid easy cleaning  
extended projection to meet HTM64 requirements



Avalon rimless 700mm projection back-to-wall WC pan

## TO SPECIFY/ORDER:

Please use the product reference shown below.

### WC PAN

Avalon rimless 700mm projection,  
horizontal outlet **AV1498WH**

### CONCEALED CISTERNS

Refer to concealed cisterns matrix for list of  
lever cisterns. For push button cisterns please  
visit [www.geberit.co.uk](http://www.geberit.co.uk).

### EXTENDED FLUSHPIPE

Extended flushpipe **CF6426WH**  
Required when installing with a Push Button  
(valve) cistern

### SEAT RING

With stainless steel bar hinge, top fix  
and stability buffers:  
White **AV7886WH**  
Grey **AV7886GY**  
Blue **AV7886BE**  
Red **AV7886RD**

### SEAT AND COVER

With stainless steel top fix hinges  
and stability buffers:  
Grey **AV7865GY**  
Blue **AV7865BE**  
With stainless steel, bar hinge, top fix  
and stability buffers:  
White **AV7875WH**

### FIXINGS

Screwed to floor with fixings provided.  
Seal to wall and floor using silicone building  
sealant (not provided).

### APPROVALS

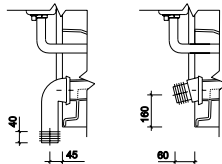
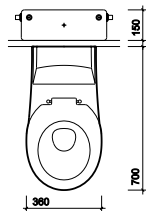
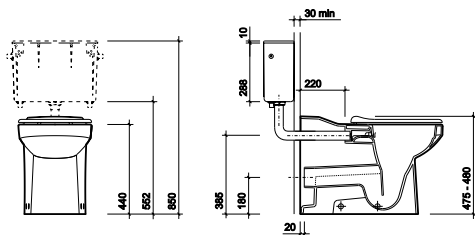
HBN 00-10 C, Code WC HD

### MATERIAL

Vitreous china.

### COLOUR

White WH.



All measurements shown are in millimetres.  
Drawing sizes are not to scale.



Hotels



Healthcare



Education



Commercial



Residential



Less Able

# Twyford

Geberit Group

# AVALON RIMLESS 750 BTW

raised seating position for ease of use  
fully shrouded outside & rimless to aid easy cleaning  
extended projection to meet Doc.M requirements



Avalon rimless 750mm projection back-to-wall WC pan and extension

## TO SPECIFY/ORDER:

Please use the product reference shown below.

### WC PAN AND EXTENSION

Avalon rimless 700mm projection,  
horizontal outlet **AV1498WH**  
Avalon 50mm extension **AV6900WH**

### CONCEALED CISTERNS

Refer to concealed cisterns matrix for list of lever cisterns. For push button cisterns please visit [www.geberit.co.uk](http://www.geberit.co.uk).

### EXTENDED FLUSHPIPE

Extended flushpipe **CF6426WH**  
Required when installing with a Push Button (valve) cistern

### SEAT RING

With stainless steel bar hinge, top fix and stability buffers:

White **AV7886WH**  
Grey **AV7886GY**  
Blue **AV7886BE**  
Red **AV7886RD**

### SEAT AND COVER

With stainless steel top fix hinges and stability buffers:

Grey **AV7865GY**  
Blue **AV7865BE**

With stainless steel, bar hinge, top fix and stability buffers:

White **AV7875WH**

### FIXINGS

Screwed to floor with fixings provided. Seal to wall and floor using silicone building sealant (not provided).

### APPROVALS

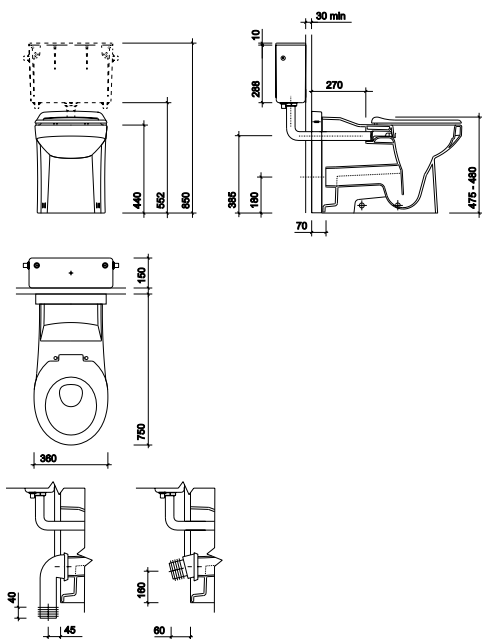
Doc.M of the Building Regulations (Extension)

### MATERIAL

Vitreous china and resin stone

### COLOUR

White WH.



All measurements shown are in millimetres.  
Drawing sizes are not to scale.



Hotels



Healthcare



Education



Commercial



Residential



Less Able

# Twyford

Geberit Group



# DELPHIC BTW

suitable for high or low level concealed cistern  
fully concealed plumbing



Delphic back-to-wall washdown WC suite, P trap outlet

## TO SPECIFY/ORDER:

Please use the product reference shown below.

### WC PAN

P trap, bottom inlet **WC1742WH**

### CONCEALED CISTERNS

Refer to concealed cisterns matrix for list of lever cisterns. For push button cisterns please visit [www.geberit.co.uk](http://www.geberit.co.uk).

### BS SEAT AND COVER

Stainless steel, bottom fix hinges **ST6882WH**  
Stainless steel, bottom fix hinges **ST6882BK**

### BS SEAT RING ONLY

Stainless steel bottom fix hinges **ST6881WH**  
Stainless steel bottom fix hinges **ST6881BE**

### FLUSHPIPE

Flushpipe 560 x 405mm **CF6220WH**  
(For high level installation)

### APPROVALS

(ii) P. S.A. Method of Building.  
(iii) Home Office Prison Department

### MATERIAL

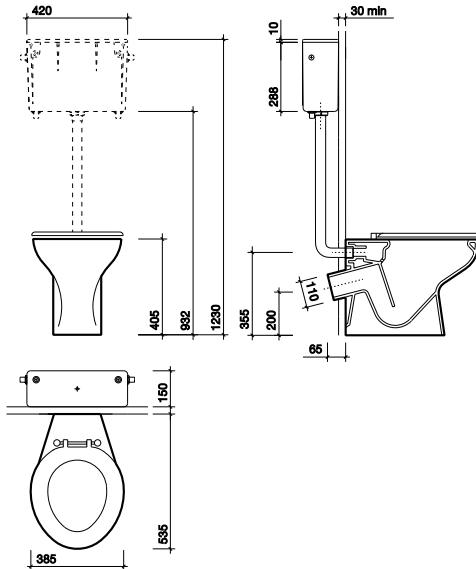
Vitreous china.

### COLOUR

White WH.

### FIXINGS

WC screwed to floor, and sealed to wall and floor using silicone building sealant (not provided).  
Cistern screwed to wall.



All measurements shown are in millimetres.  
Drawing sizes are not to scale.



Commercial

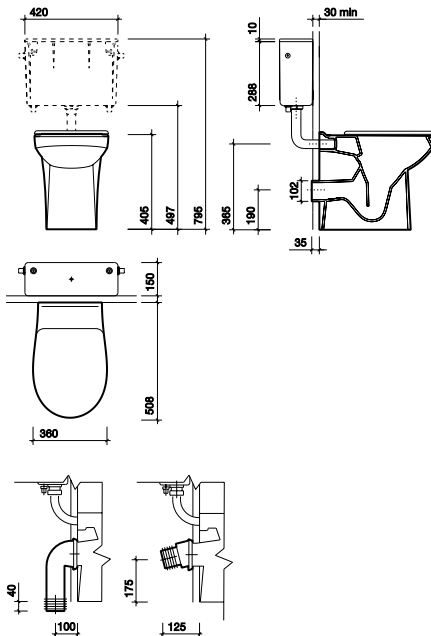
**Twyford**  
Geberit Group

# SOLA RIMLESS BTW

4 litre flush to meet BREEAM specifications  
 fully shrouded outside to aid easy cleaning  
 rimless design to aid easy cleaning inside



Sola rimless back-to-wall washdown WC suite, horizontal outlet



All measurements shown are in millimetres.  
 Drawing sizes are not to scale.

## TO SPECIFY/ORDER:

Please use the product reference shown below.

### WC PAN

Sola rimless, horizontal outlet **SA1968WH**

### CONCEALED CISTERNS

Refer to concealed cisterns matrix for list of lever cisterns. For push button cisterns please visit [www.geberit.co.uk](http://www.geberit.co.uk).

### SEAT RING

With stainless steel bar hinge, top fix and stability buffers:

White **AV7886WH**  
 Grey **AV7886GY**  
 Blue **AV7886BE**  
 Red **AV7886RD**

### SEAT AND COVER

With stainless steel top fix hinges and stability buffers:

Grey **AV7865GY**  
 Blue **AV7865BE**

With stainless steel, bar hinge, top fix and stability buffers:

White **AV7875WH**

### MATERIAL

Vitreous china.

### COLOUR

White WH.

### FIXINGS

Screwed to floor with fixings provided.  
 Seal to wall and floor using silicone building sealant (not provided).



Hotels



Healthcare



Education



Commercial



Residential

# Twyford

Geberit Group

# SOLA SCHOOL RIMLESS 300 BTW

4 litre flush to meet BREEAM specifications  
 fully shrouded outside to aid easy cleaning  
 rimless design to aid easy cleaning inside



Sola school rimless 300 back-to-wall washdown WC suite

#### TO SPECIFY/ORDER:

Please use the product reference shown below.

#### WC PAN

WC pan, horizontal outlet

**SA1512WH**

#### CONCEALED CISTERNS

Refer to concealed cisterns matrix for list of lever cisterns. For push button cisterns please visit [www.geberit.co.uk](http://www.geberit.co.uk).

#### SEAT

Open front seat ring with top fix stainless steel hinges:

White

**SA1304WH**

Blue

**SA1304BE**

#### MATERIAL

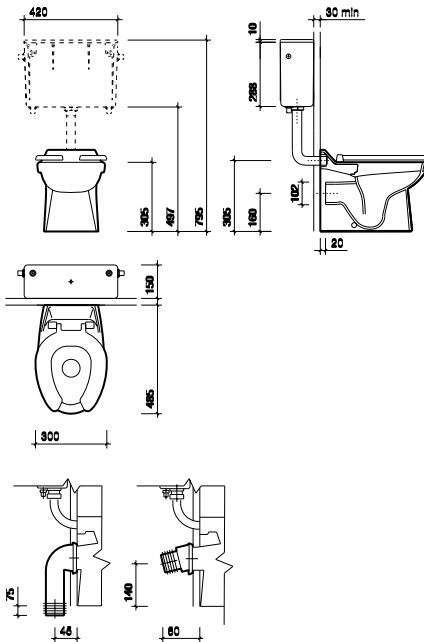
Vitreous china.

#### COLOUR

White WH.

#### FIXINGS

WC screwed to floor with fixings provided.



All measurements shown are in millimetres.  
 Drawing sizes are not to scale.



Education

# Twyford

Geberit Group

# SOLA SCHOOL RIMLESS 350 BTW

4 litre flush to meet BREEAM specifications  
 fully shrouded outside to aid easy cleaning  
 rimless design to aid easy cleaning inside



Sola school rimless 350 back-to-wall washdown WC suite

#### TO SPECIFY/ORDER:

Please use the product reference shown below.

#### WC PAN

WC pan, horizontal outlet

**SA1514WH**

#### CONCEALED CISTERNS

Refer to concealed cisterns matrix for list of lever cisterns. For push button cisterns please visit [www.geberit.co.uk](http://www.geberit.co.uk).

#### SEAT

Full seat ring with top fix stainless steel hinges:

White

Blue

**SA1306WH**

**SA1306BE**

#### MATERIAL

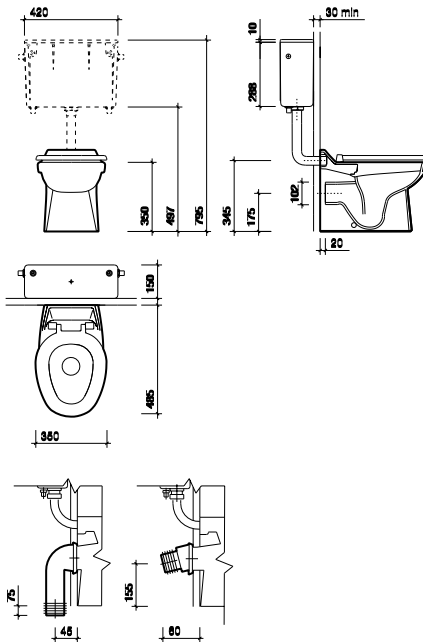
Vitreous china.

#### COLOUR

White WH.

#### FIXINGS

WC screwed to floor with fixings provided.



All measurements shown are in millimetres.  
 Drawing sizes are not to scale.



Education

# Twyford

Geberit Group

# ALCONA WALL-HUNG

co-ordinatingalcona range  
capable of flushing on environmentally friendly 4/2.6 litre dual flush  
optional soft closing mechanism seat



Alcona wall-hung washdown WC suite, horizontal outlet

## TO SPECIFY/ORDER:

Please use the product reference shown below.

### WC PAN

Horizontal outlet **AR1708WH**

### CONCEALED CISTERNS

Refer to concealed cisterns matrix for list of lever cisterns. For push button cisterns please visit [www.geberit.co.uk](http://www.geberit.co.uk).

### SEAT AND COVER

Top fix **AR7864WH**

Bottom fix **AR7915WH**

Soft closing mechanism **AR7851WH**

Quick release soft closing mechanism **AR7857WH**

### SUPPORTING BRACKET

Supporting bracket and fixing kit **SR8138XX**

### MATERIAL

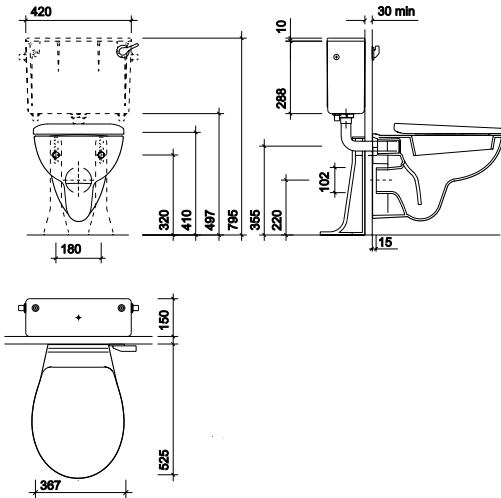
Vitreous china.

### COLOURS

White WH.

### FIXINGS

Supporting brackets screwed to floor for non load bearing walls, up to 100mm thick.



All measurements shown are in millimetres.  
Drawing sizes are not to scale.



Hotels



Education



Commercial



Residential

# Twyford

Geberit Group

# ALCONA RIMFREE® WALL-HUNG

co-ordinatingalcona range  
capable of flushing on environmentally friendly 4/2.6 litre dual flush  
Rimless design to aid easy cleaning inside



Alcona wall-hung rimfree® washdown WC suite, horizontal outlet

## TO SPECIFY/ORDER:

Please use the product reference shown below.

### WC PAN

Horizontal outlet **AR1798WH**

### CONCEALED CISTERNS

Refer to concealed cisterns matrix for list of lever cisterns. For push button cisterns please visit [www.geberit.co.uk](http://www.geberit.co.uk).

### SEAT AND COVER

Top fix **AR7864WH**  
Bottom fix **AR7915WH**  
Soft closing mechanism **AR7851WH**  
Quick release soft closing mechanism **AR7857WH**

### SUPPORTING BRACKET

Supporting bracket and fixing kit **SR8138XX**

### MATERIAL

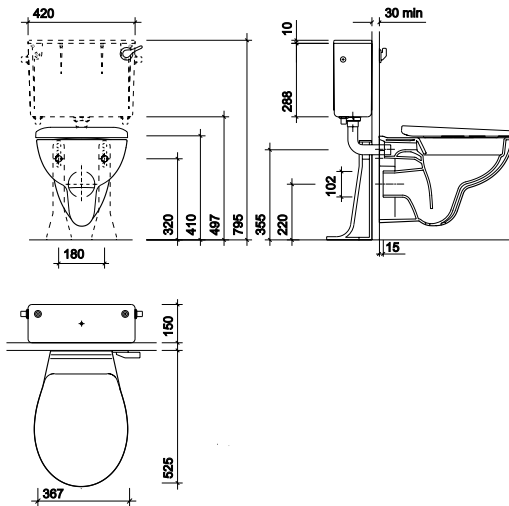
Vitreous china.

### COLOURS

White WH.

### FIXINGS

Supporting brackets screwed to floor for non load bearing walls, up to 100mm thick.



All measurements shown are in millimetres.  
Drawing sizes are not to scale.



Hotels



Education



Commercial



Residential

# Twyford

Geberit Group

# ALCONA COMPACT RIMFREE® WALL HUNG

co-ordinatingalcona range  
compact design  
rimless design to aid easy cleaning inside



Alcona compact wall-hung washdown WC suite, horizontal outlet

## TO SPECIFY/ORDER:

Please use the product reference shown below.

### WC PAN

Horizontal outlet **AR1718WH**

### CONCEALED CISTERNS

Refer to concealed cisterns matrix for list of lever cisterns. For push button cisterns please visit [www.geberit.co.uk](http://www.geberit.co.uk).

### SEAT AND COVER

Top fix **AR7864WH**

Soft closing mechanism **AR7851WH**

Quick release soft closing mechanism **AR7857WH**

### SUPPORTING BRACKET

Supporting bracket and fixing kit **SR8138XX**

### MATERIAL

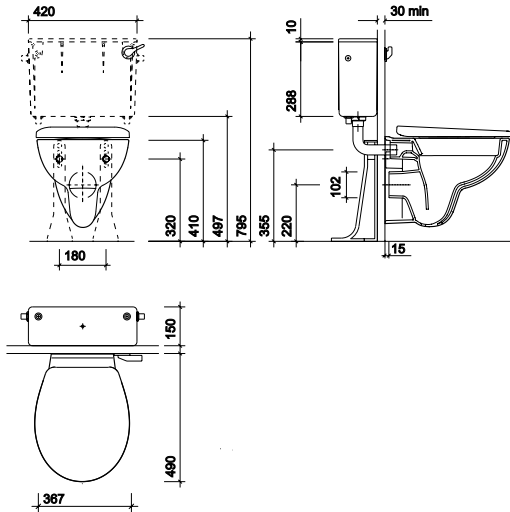
Vitreous china.

### COLOURS

White WH.

### FIXINGS

Supporting brackets screwed to floor for non load bearing walls, up to 100mm thick.



All measurements shown are in millimetres.  
Drawing sizes are not to scale.



Hotels



Education



Commercial



Residential

**Twyford**  
Geberit Group

# CLASSIC LOW LEVEL

cistern reversible right hand or left hand  
for use where existing service points cannot be altered



Classic low level washdown WC suite, horizontal outlet

## TO SPECIFY/ORDER:

Please use the product reference shown below.

### WC PAN

Horizontal outlet	CC1138WH
S trap	CC1131WH
P trap	CC1132WH

Low level cistern and fittings, 6L,  
including chrome lever:

BSIO	CC2641WH
SSIO	CC2841WH

### BS SEAT AND COVER

Stainless steel, bottom fix hinges:

White	ST6882WH
Black	ST6882BK

### BS SEAT RING

Stainless steel, bottom fix hinges:

White	ST6881WH
Blue	ST6881BE

## APPROVALS

Horizontal wc bowl to BS5503, ISSO.

S&P wc bowl to BS1213: 1945 (withdrawn)

## MATERIAL

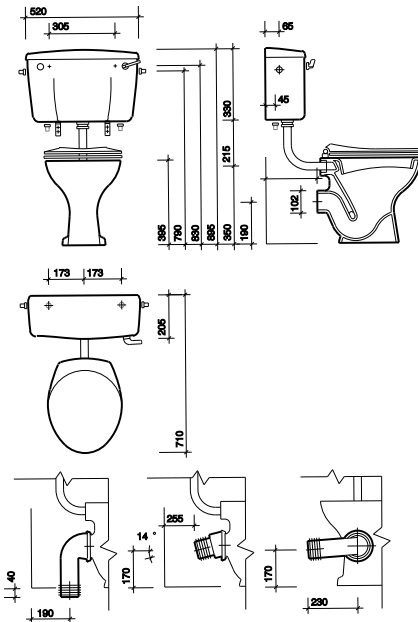
Vitreous china.

## COLOURS

White WH.

## FIXINGS

WC screwed to floor. Cistern screwed to wall  
and supported on brackets.



All measurements shown are in millimetres.  
Drawing sizes are not to scale.



Commercial



Residential

# Twyford

Geberit Group



# CLASSIC WC BOWLS

for use with classic high & low level cisterns  
for use where existing service points cannot be altered



Classic WC bowls

## TO SPECIFY/ORDER:

Please use the product reference shown below.

### WC PAN

Horizontal outlet	CC1138WH
With fixed P trap	CC1132WH
With fixed S trap	CC1131WH

### APPROVALS

H.O. bowl manufactured in accordance with BS5503: 1990

S&P bowls manufactured in accordance with BS1213: 1945 (withdrawn).

### MATERIAL

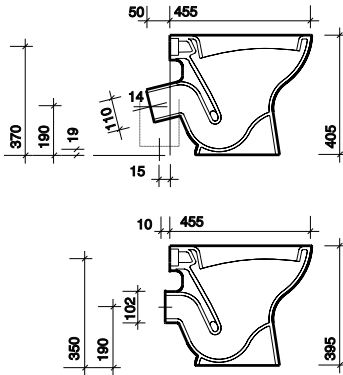
Vitreous china.

### COLOURS

White WH.

### FIXINGS

WC screwed to floor.



All measurements shown are in millimetres.  
Drawing sizes are not to scale.



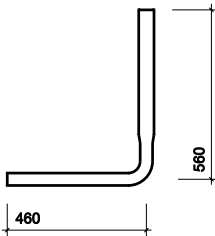
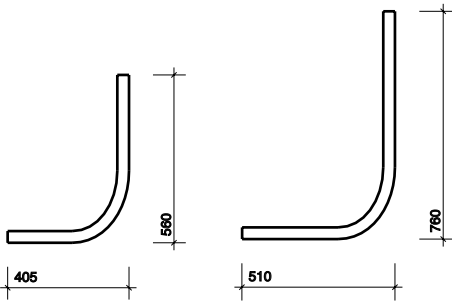
Commercial



Residential

Twyford  
Geberit Group

# WC FITTINGS



## TO SPECIFY/ORDER:

Please use the product reference shown below.

- **SPECIAL SIZED FLUSHPIPES FOR USE WHERE STANDARD PIPES ARE NOT SUITABLE.**

## MATERIALS

Plastics

## COLOUR

White WH.

## LOW LEVEL FLUSHPIPE

760 x 510mm flushpipe for Stainless Steel

Back inlet hospital units **CF6217WH**

560 x 405mm flushpipe for Delphic Back inlet

WC and Nile Back inlet Hopper **CF6220WH**

560 x 460mm flushpipe for

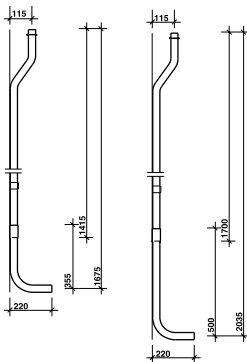
Alcona Wall-hung WC **CF6426WH**

## NOTE

Twyford low level cisterns include as standard:

- a flushbend 240 x 190mm with exposed cisterns
- 355 x 230mm with the Spectrum concealed cistern
- 370 x 270mm Concealed cisterns with valve

Where a cistern is fixed in a position further behind the WC or hopper inlet than shown on the relevant fixture page, the vertical length of the flushbend must be increased by at least half of the increase of horizontal dimensions.



## HIGH LEVEL FLUSHPIPE

Flushpipe plastic 2 piece telescopic short, 1675mm

**CF6414WH**

Flushpipe plastic 2 piece telescopic long, 2035mm

**CF6415WH**

## NOTE

Special flushpipes to suit cisterns fixed in positions other than on the backwall can be supplied to special order. Twyford will be pleased to provide drawings and indicative costs on receipt of a dimensional sketch showing fixture and cistern layout.

All measurements shown are in millimetres.  
Drawing sizes are not to scale.



Hotels



Healthcare



Education



Commercial



Residential



Less Able

# Twyford

Geberit Group

# CONCEALED CISTERNS MATRIX

**KEY TO TABLE:**    **DF 6/4** = Dual Flush 6/4 litres  
**SF 4** = Single Flush 4 litres  
**SF 6** = Single Flush 6 litres

Cistern part no.	CX9560XX CX9561XX	CX9564XX	CX9540XX
	<b>SF 6</b>	<b>DF 6/4</b>	<b>SF 4</b>
<b>BACK TO WALL</b>			
Alcona	✓	✓	✓
Moda	✓	✓	✓
Avalon	✓		
Avalon Rimless	✓	✓	✓
Avalon Rimless 700 Projection	✓	✓	✓
Delphic BI	✓		
Sola Rimless	✓	✓	✓
Sola School Rimless 300	✓	✓	✓
Sola School Rimless 350	✓	✓	✓

<b>WALL-HUNG</b>			
Alcona	✓	✓	✓
Alcona Compact Rimfree®	✓	✓	✓
Alcona Rimfree®	✓	✓	✓

For push button cisterns please visit [www.geberit.co.uk](http://www.geberit.co.uk).



Hotels



Healthcare



Education



Commercial



Residential



Less Able

**Twyford**  
Geberit Group

# CONCEALED CISTERNS - LEVER

concealed plastic cistern for front or back wall fixing  
 reversible for right or left hand operation  
 option of delayed action inlet valve



## TO SPECIFY/ORDER

Please use the product reference shown below.

## CONCEALED CISTERNS

Concealed cistern, complete with fittings, including chrome plated lever and flushbend:

SSIO 6 litre **CX9560XX**  
 BSIO 6 litre **CX9561XX**

SSIO 4 litre with DAIV (delayed action inlet valve) **CX9540XX**

SSIO 6/4 litre, dual flush with DAIV (delayed action inlet valve) **CX9564XX**

**ALTERNATIVE SPATULA LEVER**  
 Spatula lever **CF3109CP**

## ALTERNATIVE EXTENDED LEVERS

For duct wall thickness up to 225mm **CF3018CP**

For duct wall thickness up to 340mm **CF3017CP**

## APPLICATIONS

For use with WC's (except close coupled) and slop hoppers.

## MATERIAL

Plastics

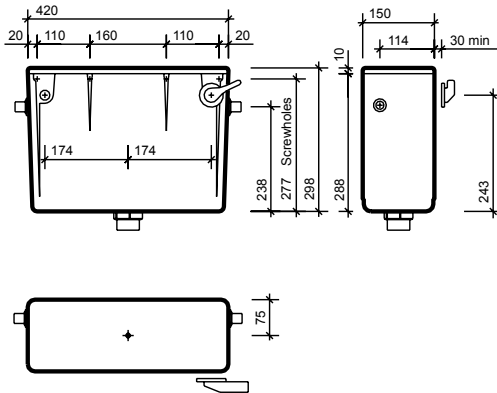
## FIXINGS

Screw to wall (screws not supplied).

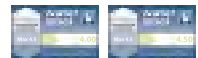
## NOTE

Supplied with lever for duct wall thickness up to 114mm.

The 4 litre product is convertible to 6 litres (post installation), if variations in drainage systems necessitate increasing the flush volume to ensure efficient drain line carry.



All measurements shown are in millimetres.  
 Drawing sizes are not to scale.



Hotels



Healthcare



Education



Commercial



Residential

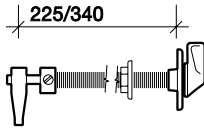


Less Able

# Twyford

Geberit Group

# CONCEALED CISTERN FITTINGS



Extended duct lever

## TO SPECIFY/ORDER

Please use the product reference shown below.

### EXTENDED DUCT LEVER

For up to 225mm wall  
For up to 340mm wall

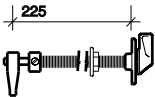
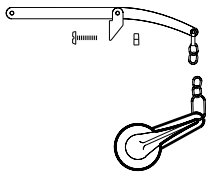
**CF3018CP**  
**CF3017CP**

### APPLICATIONS

For low level cisterns concealed in duct.

### FIXINGS

Screwed through wall with backnut.



High level duct lever

### HIGH LEVER DUCT LEVER

For duct wall thickness  
up to 225mm

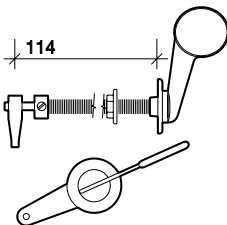
**CF3067CP**

### APPLICATIONS

For high level cisterns concealed in duct.

### FIXINGS

Screwed through wall with backnut.



Spatula lever

### SPATULA LEVER

For duct wall thickness  
up to 114mm

**CF3109CP**

### APPLICATIONS

For low level cisterns concealed in duct.

### FIXINGS

Screwed through wall with backnut.

All measurements shown are in millimetres.  
Drawing sizes are not to scale.



Hotels



Healthcare



Education



Commercial



Residential



Less Able

# Twyford

Geberit Group

# WC SEATS

This seat is suitable  
for the following WC bowls:  
Alcona



Alcona

## ALCONA SEAT AND COVER

Top fix hinge  
With soft closing mechanism  
Quick release hinge,s  
oft closing mechanism  
Bottom fix hinge

AR7864WH

AR7851WH

AR7857WH

AR7915WH

## MATERIAL

Duroplast.

## COLOUR

White WH.

This seat is suitable  
for the following WC bowls:  
Option only



Option

## OPTION SEAT AND COVER

Seat and cover,  
stainless steel hinges  
Seat and cover, plastic hinges

OT7815WH

ST2810WH

## MATERIAL

Plastics.

## COLOUR

White WH.

All measurements shown are in millimetres.  
Drawing sizes are not to scale.

For sector applications please refer to WC pan

**Twyford**  
Geberit Group



Avalon/Sola Rimless seat and cover

## **AVALON/SOLA RIMLESS SEAT AND COVER**

Stainless steel, bar hinge, top fix **AV7875WH**

### **MATERIAL**

Plastics.

### **COLOUR**

White WH.

(White RAL 9003, Luminance Value 78)

Supplied with stability buffers as standard.

This seat is suitable  
for the following WC bowls:

Avalon Rimless  
Sola Rimless



Avalon/Sola Rimless seat ring

## **AVALON/SOLA RIMLESS SEAT RING**

Stainless steel, bar hinge, top fix

White

Blue

Grey

**AV7886WH**

**AV7886BE**

**AV7886GY**

### **MATERIAL**

Plastics.

### **COLOUR**

White WH, blue BE, grey GY, red RD.

(White RAL 9003, Luminance Value 78)

(Blue RAL 5011, Luminance Value 7)

(Grey RAL 7005, Luminance Value 20)

Supplied with stability buffers as standard.

All measurements shown are in millimetres.  
Drawing sizes are not to scale.

For sector applications please refer to WC pan

# WC SEATS

This seat is suitable for the following WC bowls: Avalon, Classic & Delphic



BS Seat and Cover

## BS SEAT AND COVER

Stainless steel, bottom fix hinges  
White

**ST6882WH**

## APPROVALS

B.S. 1254 part 1.

## MATERIAL

Plastics.

## COLOUR

White WH.

This seat is suitable for the following WC bowls: Avalon, Classic & Delphic



BS Seat ring

## BS SEAT RING

Stainless steel, bottom fix hinges  
White

**ST6881WH**

## APPROVALS

B.S. 1254 part 1.

## MATERIAL

Plastics.

## COLOUR

White WH, blue BE.

All measurements shown are in millimetres.  
Drawing sizes are not to scale.

For sector applications please refer to WC pan

**Twyford**  
Geberit Group



# WC SEATS

This seat is suitable for the following WC bowls:  
Sola Schools Rimless  
300 WC pan **SA1512WH**



Sola school rimless 300

## OPEN FRONT PLASTIC SEAT RING

Stainless steel, top fix hinges  
White

**SA1304WH**

**MATERIAL**  
Plastics.

**COLOUR**  
White WH.

This seat is suitable for the following WC bowls:  
Sola Schools Rimless  
350 WC pan **SA1514WH**



Sola school rimless 350

## FULL SEAT RING

Stainless steel, top fix hinges  
White

**SA1306WH**

**MATERIAL**  
Plastics

**COLOUR**  
White WH.

All measurements shown are in millimetres.  
Drawing sizes are not to scale.

For sector applications please refer to WC pan

**Twyford**  
Geberit Group

# WASHBASINS



# ALCONA 600,550,500

co-ordinatingalcona range



Alcona 600 x 455mm washbasin and pedestal

## TO SPECIFY/ORDER:

Please use the product reference shown below.

### WASHBASIN

600 x 455mm:

1 tap hole

AR4311WH

2 tap holes

AR4312WH

550 x 420mm:

1 tap hole

AR4211WH

2 tap holes

AR4212WH

500 x 410mm:

1 tap hole

AR4111WH

2 tap holes

AR4112WH

### PEDESTAL

Pedestal

AR4920WH

Semi-pedestal

AR4960WH

### WASTE & TRAPS

Refer to wastes & traps.

### ALTERNATIVE FIXINGS

Wall bolts (pair)

500.121.00.1

### TAP HOLES

25mm

### MATERIAL

Vitreous china.

### COLOUR

White WH.

### FIXINGS

a) Pedestal with basin screwed to wall,  
(Pedestal screwed to floor)

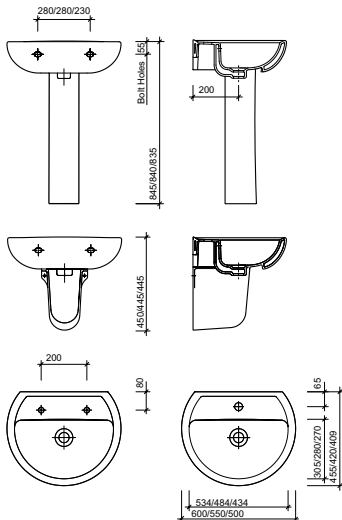
b) Wall bolts

### OPTIONAL UPGRADE

Total Install<sup>®</sup> pack

TI1967XX

Basin bracket fits basin sizes 600 & 550mm.



All measurements shown are in millimetres.  
Drawing sizes are not to scale.



Hotels



Education



Commercial



Residential

# Twyford

Geberit Group

# ALCONA 450 HANDRINSE

co-ordinatingalcona range



Alcona 450 x 370mm handrinse basin 1 tap hole

## TO SPECIFY/ORDER:

Please use the product reference shown below.

### HANDRINSE

450 x 370mm:

1 tap hole

AR4831WH

2 tap holes

AR4832WH

### WASTE & TRAPS

Refer to wastes & traps.

### FIXINGS

Wall bolts (pair)

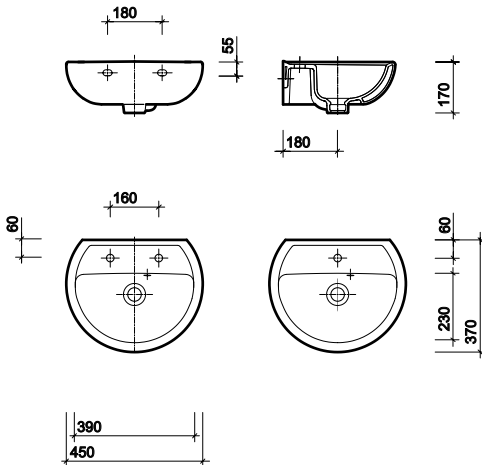
500.122.00.1

### MATERIAL

Vitreous china.

### COLOUR

White WH.



All measurements shown are in millimetres.  
Drawing sizes are not to scale.



Hotels



Education



Commercial



Residential

**Twyford**  
Geberit Group

# ALCONA 400 HANDRINSE

co-ordinatingalcona range



## TO SPECIFY/ORDER:

Please use the product reference shown below.

### HANDRINSE

400 x 330mm:

1 tap hole

AR4811WH

2 tap holes

AR4812WH

### PEDESTAL

Pedestal

AR4920WH

### WASTE & TRAPS

Refer to wastes & traps.

### FIXINGS

Wall bolts (pair)

500.122.00.1

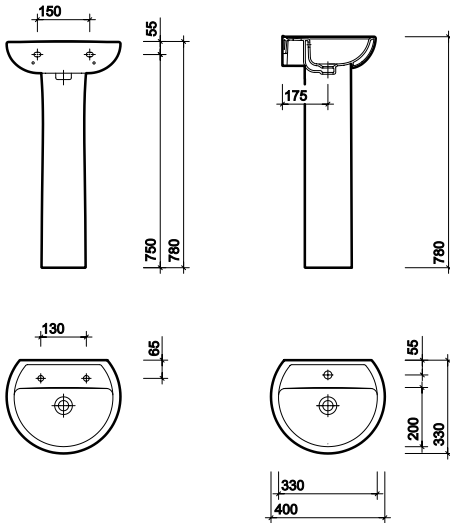
### MATERIAL

Vitreous china.

### COLOUR

White WH.

Alcona 400 x 330mm handrinse basin



All measurements shown are in millimetres.  
Drawing sizes are not to scale.



Hotels



Education



Commercial



Residential

**Twyford**  
Geberit Group

# ALCONA 360 HANDRINSE

co-ordinatingalcona range  
smaller, compact design



Alcona 360 x 250mm handrinse basin

## TO SPECIFY/ORDER:

Please use the product reference shown below.

### HANDRINSE

360 x 250mm  
2 tap holes

AR4152WH

### WASTE & TRAPS

Refer to wastes & traps.

### FIXINGS

Wall bolts (pair)

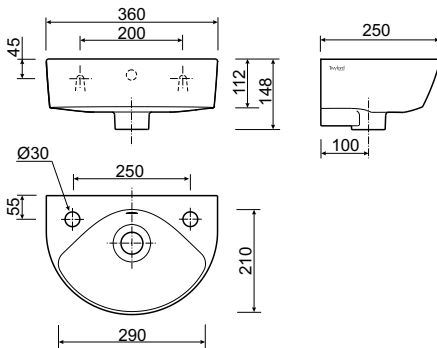
500.122.00.1

### MATERIAL

Vitreous china.

### COLOUR

White WH.



All measurements shown are in millimetres.  
Drawing sizes are not to scale.



Hotels



Education



Commercial



Residential

**Twyford**  
Geberit Group

# ALCONA 360 HANDRINSE

co-ordinatingalcona range  
smaller, compact design



## TO SPECIFY/ORDER:

Please use the product reference shown below.

### HANDRINSE

360 x 250mm:

1 right hand tap hole

**AR4155WH**

1 left hand tap hole

**AR4156WH**

### WASTE & TRAPS

Refer to wastes & traps.

### FIXINGS

Wall bolts (pair)

**500.122.00.1**

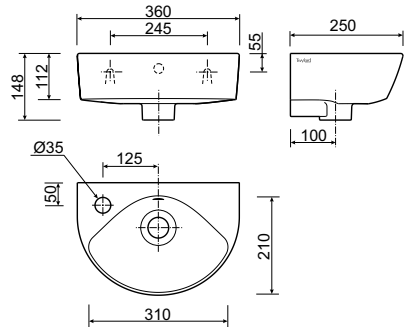
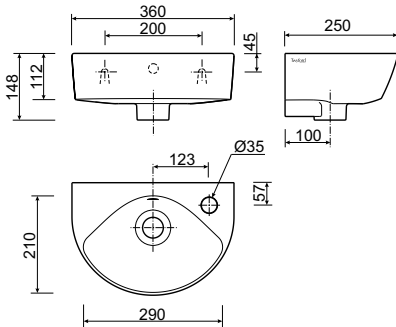
### MATERIAL

Vitreous china.

### COLOUR

White WH.

Alcona 360 x 250mm handrinse basin



All measurements shown are in millimetres.  
Drawing sizes are not to scale.



Hotels



Education



Commercial



Residential

**Twyford**  
Geberit Group

# ALCONA SQUARE 600

modern, square basin design



Alcona 600 x 450mm washbasin

## TO SPECIFY/ORDER:

Please use the product reference shown below.

### WASHBASIN

600 x 450mm 1 tap hole  
600 x 450mm 2 tap hole

**AR4861WH**  
**AR4342WH**

### PEDESTAL

Pedestal

**AR4930WH**

### SEMI-PEDESTAL

Semi-pedestal

**AR4960WH**

### FIXINGS

Wall bolts (pair)

**500.121.00.1**

### WASTE & TRAPS

Refer to wastes & traps.

### MATERIAL

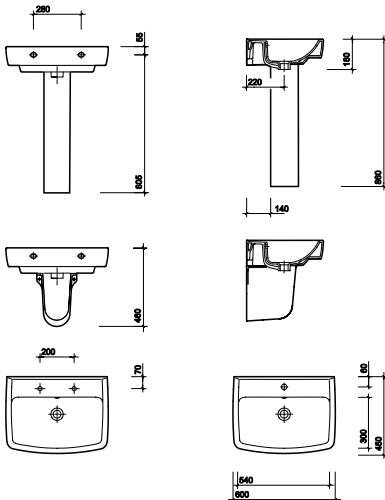
Vitreous china.

### COLOUR

White WH.

### ALTERNATIVE FIXINGS

Total Install® pack - fixing for non load bearing walls. Refer to Total Install®.



All measurements shown are in millimetres.  
Drawing sizes are not to scale.



Hotels



Commercial



Residential

**Twyford**  
Geberit Group



# ALCONA SQUARE 500

co-ordinatingalcona range  
modern, square basin design



Alcona 500 x 380mm washbasin

#### TO SPECIFY/ORDER:

Please use the product reference shown below.

#### WASHBASIN

500 x 380mm 1 tap hole  
500 x 380mm 2 tap hole

AR4841WH

AR4802WH

#### PEDESTAL

Pedestal

AR4930WH

#### FIXINGS

Wall bolts (pair)

500.122.00.1

#### WASTE & TRAPS

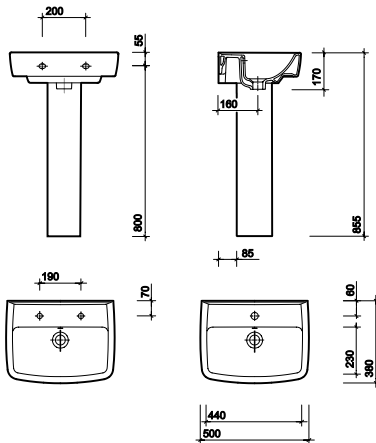
Refer to wastes & traps.

#### MATERIAL

Vitreous china.

#### COLOUR

White WH.



All measurements shown are in millimetres.  
Drawing sizes are not to scale.



Hotels



Commercial



Residential

**Twyford**  
Geberit Group

# ALCONA SQUARE 400 HANDRINSE

co-ordinatingalcona range  
modern, square basin design



Alcona 400 x 310mm washbasin

## TO SPECIFY/ORDER:

Please use the product reference shown below.

### WASHBASIN

400 x 310mm 1 tap hole

AR4801WH

400 x 310mm 2 tap hole

AR4842WH

### PEDESTAL

Pedestal

AR4930WH

### FIXINGS

Wall bolts (pair)

500.121.00.1

### WASTE & TRAPS

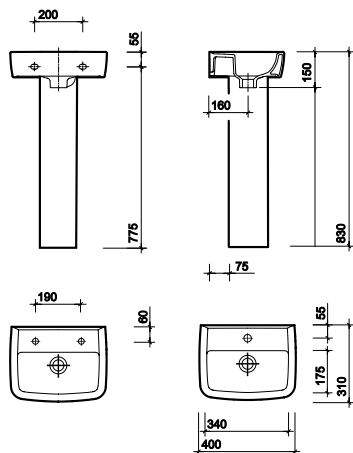
Refer to wastes & traps.

### MATERIAL

Vitreous china.

### COLOUR

White WH.



All measurements shown are in millimetres.  
Drawing sizes are not to scale.



Hotels



Commercial



Residential

**Twyford**  
Geberit Group

# ALCONA 350 CORNER

co-ordinatingalcona range  
compact design for smaller bathrooms



Alcona 350mm corner washbasin

## TO SPECIFY/ORDER:

Please use the product reference shown below.

### WASHBASIN

350mm 1 centre tap hole **AR1911WH**

### PEDESTAL

Pedestal **AR4920WH**

### FIXINGS

Wall bolts (pair) **500.121.00.1**

### WASTE & TRAPS

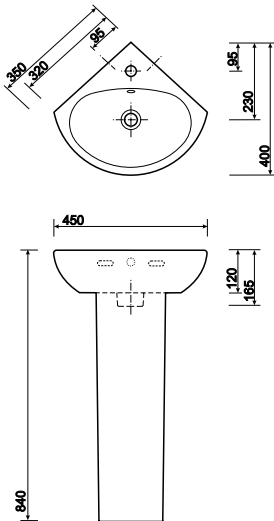
Refer to wastes & traps.

### MATERIAL

Vitreous china.

### COLOUR

White WH.



All measurements shown are in millimetres.  
Drawing sizes are not to scale.



Hotels



Commercial



Residential

**Twyford**  
Geberit Group

# CLASSIC 560

clear centre shelf area  
robust design



Classic 560 x 415mm basin

## TO SPECIFY/ORDER:

Please use the product reference shown below.

### WASHBASIN

560 x 415mm:  
2 tap holes

CC4212WH

### WALL BRACKETS

Wall brackets

SR1005XX

### PEDESTAL

Pedestal

VC5910WH

### WASTE & TRAPS

Refer to wastes & traps.

### APPROVALS

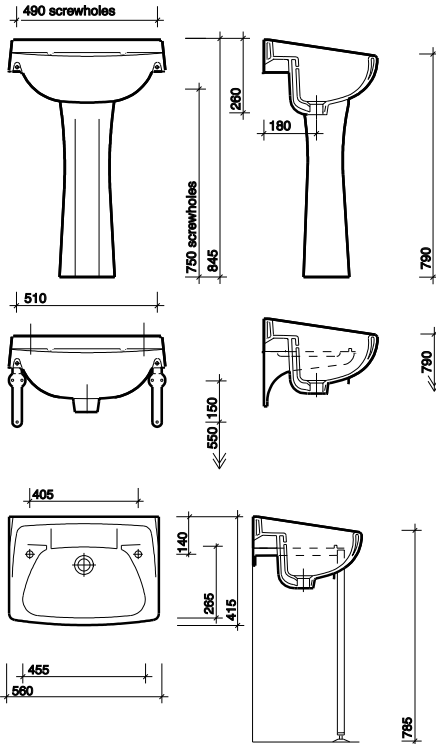
(i) BS1188: 1974.

### MATERIAL

Vitreous china.

### COLOURS

White WH.



All measurements shown are in millimetres.  
Drawing sizes are not to scale.



Education



Commercial



Residential

# Twyford

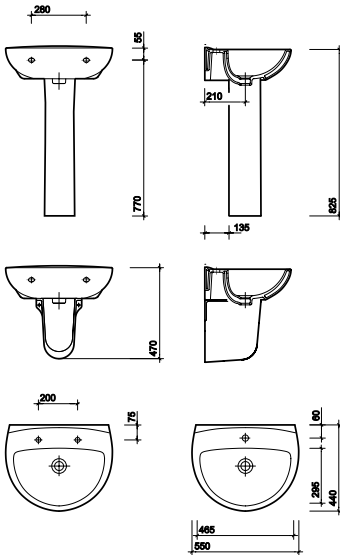
Geberit Group

# OPTION 550

co-ordinating option range



Option 550 x 440mm basin



All measurements shown are in millimetres.  
Drawing sizes are not to scale.

## TO SPECIFY/ORDER:

Please use the product reference shown below.

### WASHBASIN

Pedestal fixing 550 x 440mm:

1 centre tap hole

**OT4241WH**

2 tap holes no chainstay hole

**OT4242WH**

2 tap holes with chainstay hole

**OT4232WH**

### PEDESTAL

Pedestal

**OT4940WH**

### SEMI-PEDESTAL

Semi-pedestal

**AR4960WH**

### FIXINGS

Wall bolts (pair)

**500.122.00.1**

### WASTE & TRAPS

Refer to wastes & traps.

### MATERIAL

Vitreous china.

### COLOUR

White WH.

### OPTIONAL UPGRADE

Total Install<sup>®</sup> pack

**TT1967XX**



Hotels



Commercial



Residential

# Twyford

Geberit Group

# OPTION 400 HANDRINSE

co-ordinating option range



## TO SPECIFY/ORDER:

Please use the product reference shown below.

### HANDRINSE

400 x 330mm:

2 tap holes with no chainstay hole **OT4812WH**

2 tap holes with chainstay hole **OT4832WH**

### PEDESTAL

Pedestal

**OT4940WH**

### WASTE & TRAPS

Refer to wastes & traps.

### FIXINGS

Wall bolts (pair)

**500.121.00.1**

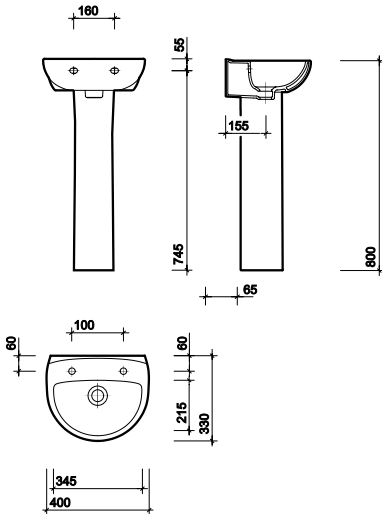
### MATERIAL

Vitreous china.

### COLOUR

White WH.

Option 400 x 330mm handrinse basin 2 tap holes



All measurements shown are in millimetres.  
Drawing sizes are not to scale.



Hotels



Education



Commercial



Residential

# Twyford

Geberit Group

# OPTION 400 HANDRINSE LH/RH TAP HOLE

co-ordinating option range



## TO SPECIFY/ORDER:

Please use the product reference shown below.

### HANDRINSE

400 x 330mm:

1 tap hole left hand

**OT4846WH**

1 tap hole right hand

**OT4845WH**

### PEDESTAL

Pedestal

**OT4940WH**

### WASTE & TRAPS

Refer to wastes & traps.

### FIXINGS

Wall bolts (pair)

**500.121.00.1**

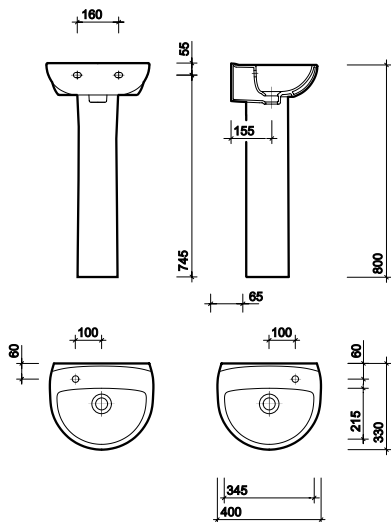
### MATERIAL

Vitreous china.

### COLOUR

White WH.

Option 400 x 330mm handrinse basin right hand tap hole



All measurements shown are in millimetres.  
Drawing sizes are not to scale.



Hotels



Education



Commercial



Residential

# Twyford

Geberit Group

# SOLA 600

robust design  
deeper side walls for superior strength  
enclosed fixings for hygiene



Sola 600mm basin with sola lever action taps

#### TO SPECIFY/ORDER:

Please use the product reference shown below.

#### WASHBASIN

600 x 460mm:

2 tap holes

SA4312WH

1 centre tap hole

SA4311WH

#### PEDESTAL

Pedestal

AR4920WH

#### SEMI-PEDESTAL

Semi-pedestal

AR4960WH

#### FIXINGS

Wall bolts 140mm (pair)

500.122.00.1

Total Install™ bracket pack

for 600 basin

TI1960XX

#### TAPS & MIXERS

Sola

#### WASTE & TRAPS

Refer to wastes & traps.

#### MATERIAL

Vitreous china.

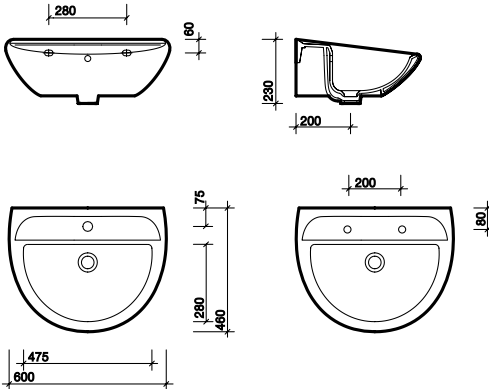
#### COLOUR

White WH

#### NOTE

2 tap basin - 25mm holes.

1 tap basin - 32mm holes.



All measurements shown are in millimetres.  
Drawing sizes are not to scale.



Hotels



Healthcare



Education



Commercial

# Twyford

Geberit Group



# SOLA 500

robust design  
deeper side walls for superior strength  
enclosed fixings for hygiene



Sola 500mm basin with sola 1/2" non-convulsive taps

#### TO SPECIFY/ORDER:

Please use the product reference shown below.

#### WASHBASIN

500 x 400mm:

2 tap holes

SA4212WH

1 centre tap hole

SA4211WH

#### PEDESTAL

Pedestal

AR4920WH

#### SEMI-PEDESTAL

Semi-pedestal

AR4960WH

#### FIXINGS

Wall bolts 140mm (pair)

500.122.00.1

Total Install™ bracket pack

for 500 basin

TI1960XX

#### TAPS & MIXERS

Sola

#### WASTE & TRAPS

Refer to wastes & traps.

#### MATERIAL

Vitreous china.

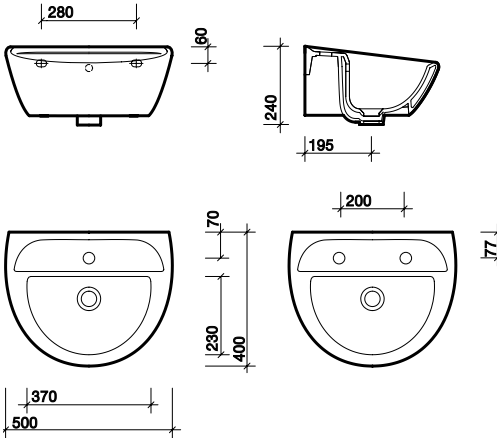
#### COLOUR

White WH

#### NOTE

2 tap basin - 25mm holes.

1 tap basin - 32mm holes.



All measurements shown are in millimetres.  
Drawing sizes are not to scale.



Hotels



Healthcare



Education



Commercial

# Twyford

Geberit Group

# SOLA 400

robust design  
deeper side walls for superior strength  
enclosed fixings for hygiene



Sola 400mm handrinse with sola 1/2" non-concussive taps

#### TO SPECIFY/ORDER:

Please use the product reference shown below.

#### WASHBASIN

400 x 345mm:

2 tap holes

SA4112WH

1 centre tap hole

SA4111WH

#### FIXINGS

Wall bolts 120mm (pair)

500.121.00.1

Wall hangers (pair)

SR5307XX

Total Install™ bracket pack  
for 400 basin

TI1961XX

#### TAPS & MIXERS

Sola

#### WASTE & TRAPS

Refer to wastes & traps.

#### MATERIAL

Vitreous china.

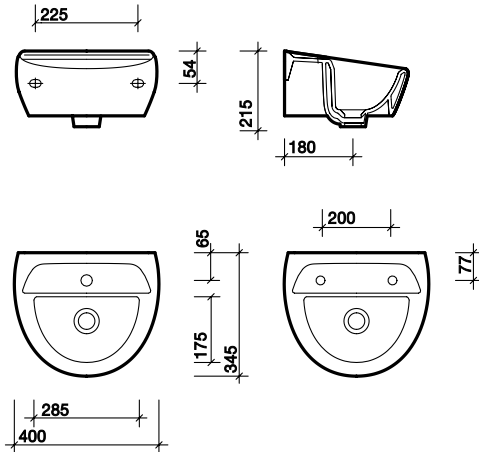
#### COLOUR

White WH

#### NOTE

2 tap basin - 25mm holes.

1 tap basin - 32mm holes.



All measurements shown are in millimetres.  
Drawing sizes are not to scale.



Hotels



Healthcare



Education



Commercial

# Twyford

Geberit Group

# SOLA SQUARE 400

No Overflow  
modern, square design  
smaller, compact design



Sola 400mm basin right hand tap hole

## TO SPECIFY/ORDER:

Please use the product reference shown below.

### WASHBASIN

400 x 250mm no overflow

Right hand tap hole

**SA4815WH**

Left hand tap hole

**SA4816WH**

### FIXINGS

Wall bolts 120mm (pair)

**500.121.00.1**

Total Install™ bracket pack  
for 400 basin

**TI1961XX**

### TAPS & MIXERS

Sola

### WASTE & TRAPS

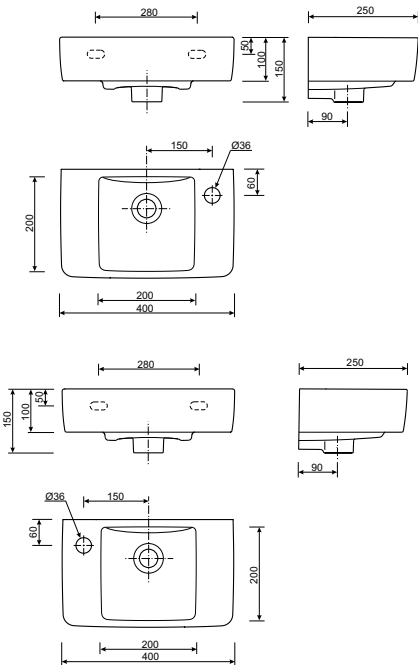
Refer to wastes & traps.

### MATERIAL

Vitreous china.

### COLOUR

White WH



All measurements shown are in millimetres.  
Drawing sizes are not to scale.



Hotels



Healthcare



Education



Commercial

**Twyford**  
Geberit Group

# SOLA MEDICAL 600

no overflow, no chainstay  
deeper side walls for superior strength



Sola Medical 600mm basin with sola lever action taps

## TO SPECIFY/ORDER:

Please use the product reference shown below:

### WASHBASIN

600 x 460mm,  
no overflow, no chainstay :  
2 tap holes, LB G L  
1 right hand tap hole, LB G L  
1 left hand tap hole  
No tap hole

**SA4352WH**  
**SA4355WH**  
**SA4356WH**  
**SA4350WH**

### FIXINGS

Wall bolts 140mm (pair)  
Total Install™ bracket pack  
for 600 basin

**500.122.00.1**  
**TI1960XX**

### TAPS & MIXERS

Sola

### WASTE & TRAPS

Refer to wastes & traps.

### APPROVALS

HBN 00-10 C, code LB G L

### MATERIAL

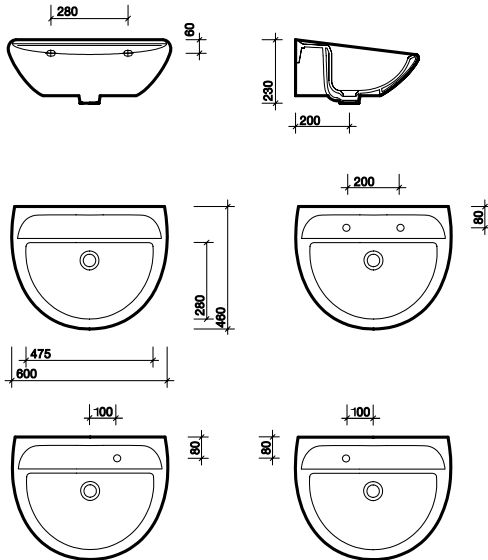
Vitreous china.

### COLOUR

White WH

### NOTE

2 tap basin - 25mm holes.  
1 tap basin - 32mm holes.



All measurements shown are in millimetres.  
Drawing sizes are not to scale.



Healthcare



Commercial

**Twyford**  
Geberit Group

# SOLA MEDICAL 500

no overflow, no chainstay  
deeper side walls for superior strength



Sola Medical 500mm basin with sola lever action taps

## TO SPECIFY/ORDER:

Please use the product reference shown below.

### WASHBASIN

500 x 400mm,  
no overflow, no chainstay:  
2 tap holes, LB G M  
1 right hand tap hole, LB G M  
1 left hand tap hole  
1 centre tap hole  
No tap hole

**SA4252WH**  
**SA4255WH**  
**SA4256WH**  
**SA4251WH**  
**SA4250WH**

### FIXINGS

Wall bolts 140mm (pair)  
Total Install™ bracket pack  
for 500 basin

**500.122.00.1**  
**TI1960XX**

### TAPS & MIXERS

Sola

### WASTE & TRAPS

Refer to wastes & traps.

### APPROVALS

HBN 00-10 C, code LB G M

### MATERIAL

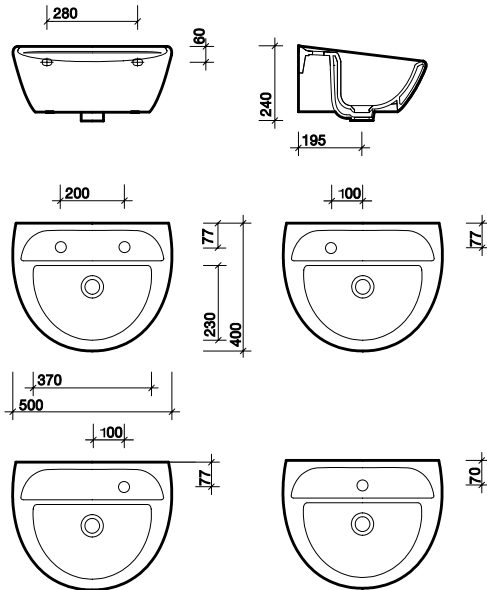
Vitreous china.

### COLOUR

White WH

### NOTE

2 tap basin - 25mm holes.  
1 tap basin - 32mm holes.



All measurements shown are in millimetres.  
Drawing sizes are not to scale.



Healthcare



Commercial

# Twyford

Geberit Group

# SOLA MEDICAL 400

no overflow, no chainstay  
deeper side walls for superior strength



Sola Medical 400mm handrinse with sola lever action taps

## TO SPECIFY/ORDER:

Please use the product reference shown below:

### WASHBASIN

400 x 345mm,  
no overflow, no chainstay:  
2 tap holes  
1 right hand tap hole, LB G S  
1 left hand tap hole  
No tap hole

**SA4152WH**  
**SA4155WH**  
**SA4156WH**  
**SA4150WH**

### FIXINGS

Wall bolts 120mm (pair)  
Wall hangers (pair)  
Total Install™ bracket pack  
for 400 basin

**500.121.00.1**  
**SR5307XX**

**TI1961XX**

### TAPS & MIXERS

Sola

### WASTE & TRAPS

Refer to wastes & traps.

### APPROVALS

HBN 00-10 C, code LB G S

### MATERIAL

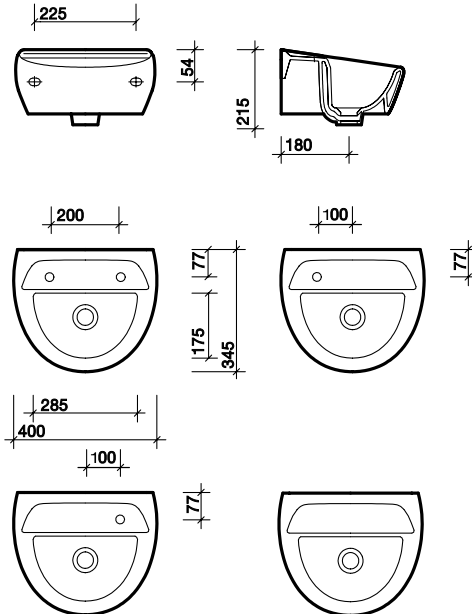
Vitreous china.

### COLOUR

White WH

### NOTE

2 tap basin - 25mm holes.  
1 tap basin - 32mm holes.



All measurements shown are in millimetres.  
Drawing sizes are not to scale.



Healthcare



Commercial

**Twyford**  
Geberit Group

# SOLA SPECTRUM 500

fully concealed fixings and waste for hygiene and security  
hospital pattern basin integral back outlet  
connection to concealed services



Sola Spectrum 500 0TH basin

## TO SPECIFY/ORDER:

Please use the product reference shown below:

### WASHBASIN

Wall fixing no overflow, no chainstay,  
back outlet, no tap hole, LB H M:  
500 x 410mm

**SA4280WH**

### FIXINGS

Fixing kit includes plastic grid waste,  
waste outlet and concealed brackets  
for panel fixing  
nb. Excludes 1 1/4" plumbing outlet  
connection pipe.

**SR1314XX**

### TAPS & MIXERS

Sola wall mounted surgeons mixer:  
Fixed spout  
Detachable spout

**SF1131CP**

**SF1132CP**

### APPROVALS

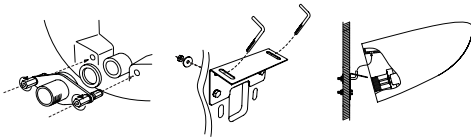
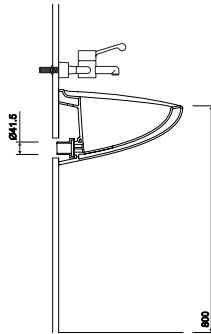
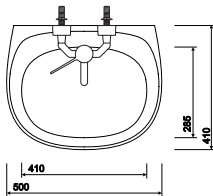
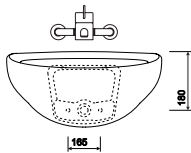
HBN 00-10 C, code LB H M

### MATERIAL

Vitreous china.

### COLOURS

White WH



All measurements shown are in millimetres.  
Drawing sizes are not to scale.



Healthcare



Education



Commercial

**Twyford**  
Geberit Group

# ALCONA 560 COUNTERTOP

co-ordinatingalcona range  
compact design for smaller bathrooms



Alcona 560 x 475mm countertop basin

## TO SPECIFY/ORDER:

Please use the product reference shown below.

### WASHBASIN

560 x 475mm 1 centre tap hole **AR4561WH**

### TAPS & MIXERS

Refer to taps & mixers.

### WASTE & TRAPS

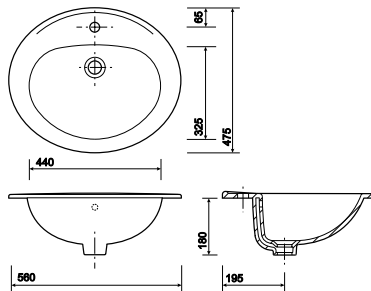
Refer to wastes & traps.

### MATERIAL

Vitreous china.

### COLOUR

White WH.



All measurements shown are in millimetres.  
Drawing sizes are not to scale.



Hotels



Commercial



Residential

**Twyford**  
Geberit Group



Total Install® - an alternative fixation method for washbasins and wc's



Total Install® upgrade pack

**TO SPECIFY/ORDER:**

Please use the product reference shown below.

**TOTAL INSTALL® UPGRADE PACK**

Total Install® pack - 280mm centres  
Applicable to Alcona, Option and Energy collections.

**TI1967XX**

**PACK INCLUDES:**

Basin bracket and fixings  
WC pan to floor fixings (not shown)  
Isolating valve



Total Install® bracket kits - 280mm or 225mm centres

**TOTAL INSTALL® BRACKET KIT**

Total Install® bracket kit 280mm centres **TI1962XX**  
Total Install® bracket kit 225mm centres **TI1961XX**

**CHECK THE WASHBASIN HOLE CENTRES  
MEASUREMENT  
TO DETERMINE THE CORRECT TOTAL INSTALL  
BRACKET KIT.**

**PACK INCLUDES:**

Basin bracket and fixings

Fixing guidance:							
Wall Type	Brick	Block	Timber > 75mm	Timber or panel < 75mm	Plasterboard	Foam filled	
<b>Basin wall mounted or with semi pedestal</b>							
Wall bolts	✓	✓	✓	✘	✘	✘	
Total Install® Bracket	✘	✘	✘	✘	✘	✘	
<b>Basin wall mounted with full pedestal</b>							
Wall bolts	✓	✓	✓	✘	✘	✘	
Total Install® Bracket	●	●	●	✓	✓	✓	

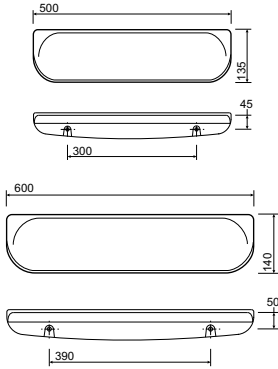
- Key:**
- ✓ Recommended
  - Alternative
  - ✘ Not recommended

The above is for guidance only. If in doubt, contact a qualified structural engineer.

All measurements shown are in millimetres.  
Drawing sizes are not to scale.

For sector applications please refer to washbasin

# ACCESSORIES



## TO SPECIFY/ORDER:

Please use the product reference shown below.

### ALCONA CERAMIC SHELF

500mm

AR9850WH

600mm

AR9860WH

### MATERIAL

Vitreous china.

### COLOUR

White WH

### FIXINGS

Not included

All measurements shown are in millimetres.  
Drawing sizes are not to scale.



Hotels



Commercial



Residential

# Twyford

Geberit Group

# BATHS



# ASPECT 1700 X 700/750

square design to co-ordinate with square washbasins  
ungripped bath



## TO SPECIFY/ORDER:

Please use the product reference shown below.

### BATH

1700 x 700mm acrylic bath, encapsulated:  
2 centre tap holes, no grips **AP8502WH**

1700 x 700mm acrylic bath, encapsulated:  
0 tap holes, no grips **AP8500WH**

1700 x 750mm acrylic bath, encapsulated:  
0 tap holes, no grips **AP8550WH**

### BATH PANELS

Refer to bath panels

### BATH SCREENS

Suitable for a folding or fixed bath screen.  
For options refer to bath screens.

### WASTES

Refer to wastes

### TAPS & MIXERS

Refer to taps & mixers.

### APPROVALS

Baths manufactured to European & British  
Standards EN263/EN14516 CL1

### MATERIAL

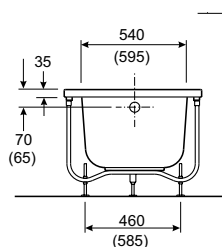
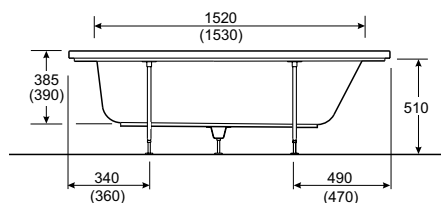
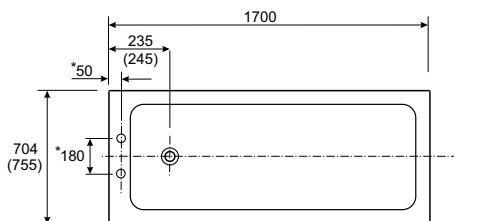
Made from 4mm acrylic sheet reinforced with  
glass fibre. Encapsulated baseboard.

### COLOURS

White WH.

### FIXINGS

Supported on wooden frame with steel cradle and  
adjustable feet. Clips provided for  
securing to wall.



1700 x 700 bath  
(1700 x 750 bath)

All measurements shown are in millimetres.  
Drawing sizes are not to scale.



Hotels



Residential



Commercial

# Twyford

Geberit Group

# SIGNATURE 1700 X 700

integral headrest and twin soap recesses  
patterned standing area  
includes chrome grips



## TO SPECIFY/ORDER:

Please use the product reference shown below.

### BATH

1700 x 700mm acrylic bath, with chrome plated grips:  
No tap holes  
2 centre tap holes

**SE8520WH**  
**SE8522WH**

### BATH PANELS

Refer to bath panels

### BATH SCREEN

Suitable for a folding or fixed bath screen.

### WASTES

Refer to wastes

### GRIPS

Chrome plated

**BG1365CP**

### TAPS & MIXERS

Refer to taps & mixers.

### ALTERNATIVE PANELS AND WASTES

Please refer to the pages at the end of this section.

### MATERIAL

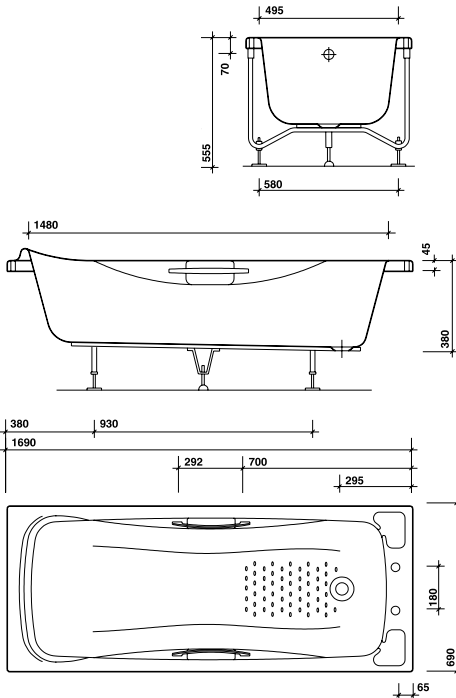
Made from acrylic sheet reinforced with glass fibre.

### COLOURS

White WH.

### FIXINGS

Supported by wooden frame with steel cradle and adjustable feet. Clips provided for securing to wall.



All measurements shown are in millimetres.  
Drawing sizes are not to scale.



Hotels



Residential

**Twyford**  
Geberit Group

# CELTIC LOW CAPACITY 1700 X 700

economy low volume steel bath with fast fix leg set  
1.8mm thick  
low capacity - 140 litres to over flow



## TO SPECIFY/ORDER:

Please use the product reference shown below.

### BATH

1700 x 700mm porcelain enamelled steel bath:

2 tap, grips, slip resist, with legs **CE1572WH**

### BATH PANELS

Refer to bath panels

### BATH SCREEN

Suitable for a folding or fixed bath screen.

### WASTES

Refer to wastes

### TAPS & MIXERS

Refer to taps & mixers.

### MATERIAL

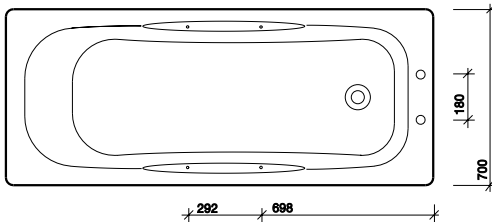
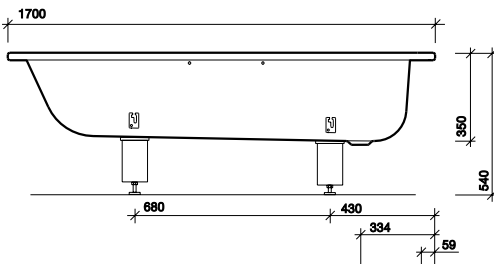
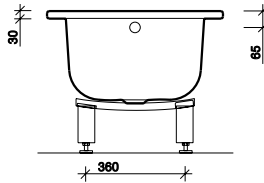
Standard gauge (1.5mm) pressed steel.  
Enamelled to BS1344 (0.3mm).

### COLOURS

White WH.

### FIXINGS

Bolt on adjustable legs. Secured to wall with clips provided.



All measurements shown are in millimetres.  
Drawing sizes are not to scale.



Hotels



Commercial



Residential

# Twyford

Geberit Group

# CELTIC 1700 X 700

economy general purpose steel bath  
fast fix leg set  
1.8mm thick



## TO SPECIFY/ORDER:

Please use the product reference shown below.

### BATH

1700 x 700mm porcelain enamelled steel bath:

2 tap, ungripped, plain, with legs **BS1502WH**

2 tap, grips, plain, with legs **BS1522WH**

No tap, grips, slip resist, no legs **BS1570WH**

2 tap, grips, slip resist, with legs **BS1572WH**

### BATH PANELS

Refer to bath panels

### BATH SCREEN

Suitable for a folding or fixed bath screen.

### WASTES

Refer to wastes

### LEGSET

(Optional with no tap baths)

Legset and wall clips

**BG6041XX**

### TAPS & MIXERS

Refer to taps & mixers.

### MATERIAL

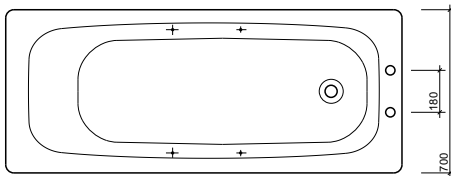
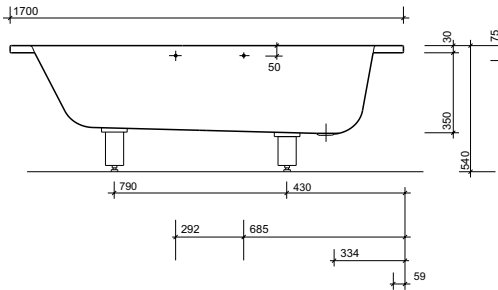
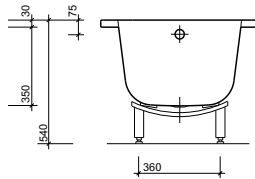
Standard gauge (1.5mm) pressed steel.  
Enamelled to BS1344 (0.3mm).

### COLOURS

White WH.

### FIXINGS

Bolt on adjustable legs. Secured to wall with clips provided.



All measurements shown are in millimetres.  
Drawing sizes are not to scale.



Hotels



Commercial



Residential

# Twyford

Geberit Group

# CELTIC 1600 X 700

economy general purpose steel bath  
fast fix leg set  
1.8mm thick



## TO SPECIFY/ORDER:

Please use the product reference shown below.

## BATH

1600 x 700mm porcelain enamelled steel bath:

2 tap, ungripped, plain, with legs **BS1202WH**

2 tap, grips, plain, with legs **BS1222WH**

2 tap, grips, slip resist, with legs **BS1272WH**

## BATH PANELS

Refer to bath panels.

## BATH SCREEN

Suitable for a folding or fixed bath screen.

## WASTES

Refer to wastes

## TAPS & MIXERS

Refer to taps & mixers.

## MATERIAL

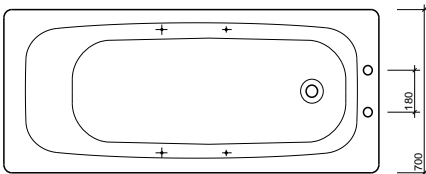
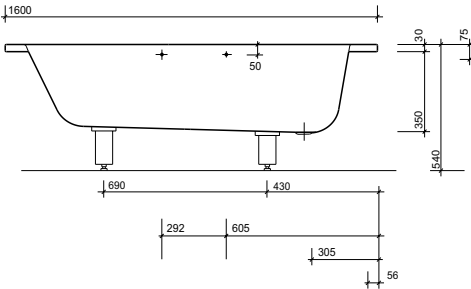
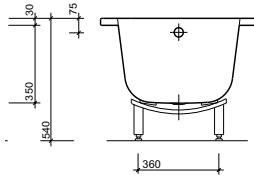
Standard gauge (1.5mm) pressed steel.  
Enamelled to BS1344 (0.3mm).

## COLOUR

White WH.

## FIXINGS

Bolt on adjustable legs. Secured to wall with clips provided.



All measurements shown are in millimetres.  
Drawing sizes are not to scale.



Hotels



Commercial



Residential

# Twyford

Geberit Group

80



# CELTIC 1500 X 700

economy general purpose steel bath  
fast fix leg set  
1.8mm thick



## TO SPECIFY/ORDER:

Please use the product reference shown below.

### BATH

1500 x 700mm porcelain enamelled steel bath:

2 tap, ungripped, plain, with legs **BS1402WH**

2 tap, grips, plain, with legs **BS1422WH**

2 tap, grips, slip resist, with legs **BS1472WH**

### BATH PANELS

Refer to bath panels

### BATH SCREEN

Suitable for a folding or fixed bath screen.

### WASTES

Refer to wastes

### TAPS & MIXERS

Refer to taps & mixers.

### MATERIAL

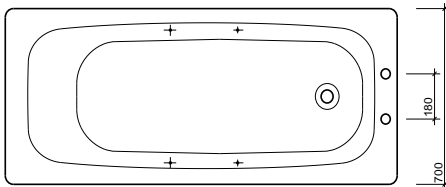
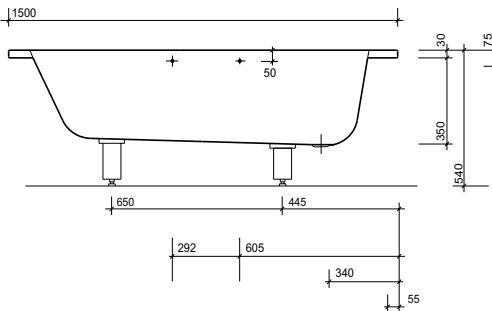
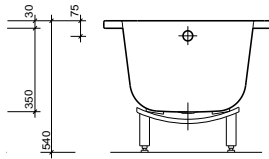
Standard gauge (1.5mm) pressed steel.  
Enamelled to BS1344 (0.3mm).

### COLOUR

White WH.

### FIXINGS

Bolt on adjustable legs. Secured to wall with clips provided.



All measurements shown are in millimetres.  
Drawing sizes are not to scale.



Hotels



Commercial



Residential

# Twyford

Geberit Group

81

# NEPTUNE 1700 X 700

standard gauge pressed steel  
optional permanent slip resistant standing area  
2.3mm thick



## TO SPECIFY/ORDER:

Please use the product reference shown below.

### BATH

1700 x 700mm porcelain enamelled steel bath,  
with chrome plated grips:

2 tap, ungripped, plain **NE9502WH**

2 tap, grips, slip resist **NE9572WH**

No tap, ungripped, slip resist **NE9590WH**

2 tap, ungripped, slip resist **NE9592WH**

### DEDICATED BATH PANELS

Neptune 1700mm front panel

**NL7700WH**

Neptune 700mm end panel

**NL7701WH**

### BATH SCREEN

Suitable for a folding or fixed bath screen.

### TAPS & MIXERS

Refer to taps & mixers.

### MATERIAL

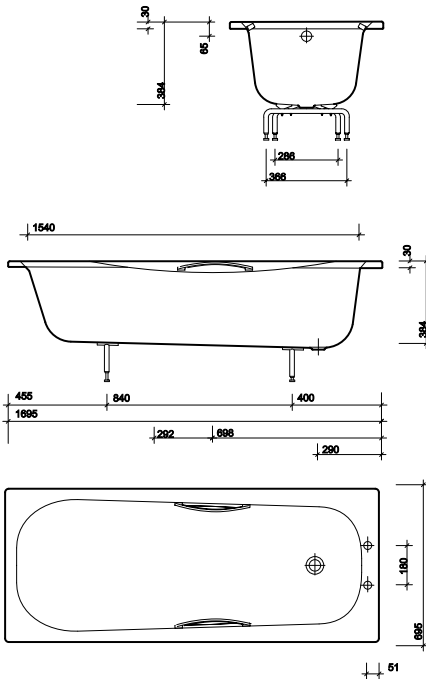
Standard gauge (1.8mm) pressed steel.  
Enamelled to BS1344 (0.5mm).

### COLOURS

White WH.

### FIXINGS

Cradles with adjustable legs. Screwed to floor and  
secured to wall with clips provided.



All measurements shown are in millimetres.  
Drawing sizes are not to scale.



Hotels



Commercial



Residential

**Twyford**  
Geberit Group

# NEPTUNE 1500 X 700

standard gauge pressed steel  
optional permanent slip resistant standing area  
2.3mm thick



## TO SPECIFY/ORDER:

Please use the product reference shown below.

### BATH

1500 x 700mm porcelain enamelled steel bath:  
2 tap, ungripped, plain **NE9402WH**  
2 tap, grips, slip resist **NE9472WH**

### DEDICATED BATH PANELS

Neptune 1500mm front panel **NL7500WH**  
Neptune 700mm end panel **NL7701WH**

### BATH SCREEN

Suitable for a folding or fixed bath screen.

### WASTES

Refer to wastes

### TAPS & MIXERS

Refer to taps & mixers.

### MATERIAL

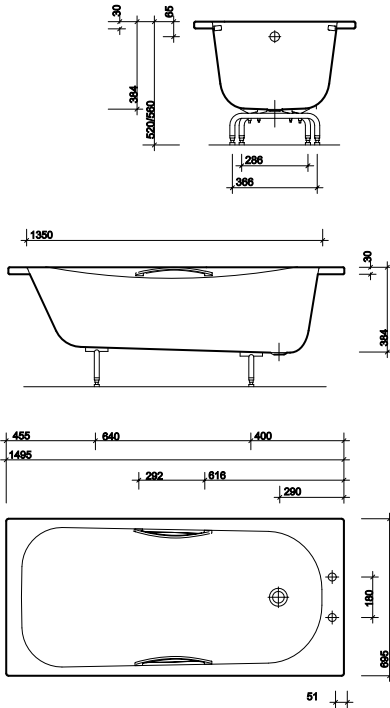
Standard gauge (1.8mm) pressed steel.  
Enamelled to BS1344 (0.5mm).

### COLOURS

White WH.

### FIXINGS

Cradles with adjustable legs. Screwed to floor and secured to wall with clips provided.



All measurements shown are in millimetres.  
Drawing sizes are not to scale.



Hotels



Commercial



Residential

# Twyford

Geberit Group

# SHALLOW 1700 X 700

typical bathing requires approximately 130 litres of water  
permanent slip resistant standing area  
2.3mm thick



## TO SPECIFY/ORDER:

Please use the product reference shown below.

### BATH

1700 x 700 porcelain enamelled steel bath:

2 tap, grips, slip resist

**SB1772WH**

### DEDICATED BATH PANELS

Neptune 1700mm front panel

**NL7700WH**

Neptune 700mm end panel

**NL7701WH**

### BATH SCREEN

Suitable for a folding or fixed bath screen.

### WASTES

Refer to wastes

### TAPS & MIXERS

Refer to taps & mixers.

### MATERIAL

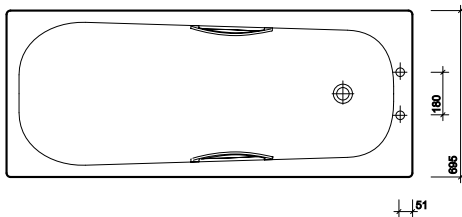
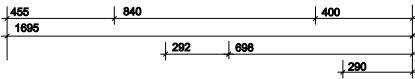
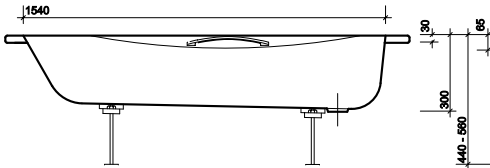
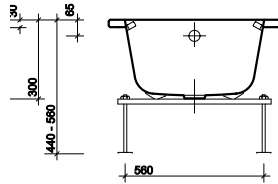
Standard gauge (1.8mm) pressed steel.  
Enamelled to BS1344 (0.5mm).

### COLOURS

White WH.

### FIXINGS

Cradles with adjustable legs. Secured to wall with clips provided.



All measurements shown are in millimetres.  
Drawing sizes are not to scale.



Hotels



Commercial



Residential

# Twyford

Geberit Group

# SHALLOW 1500 X 700

typical bathing requires approximately 110 litres of water  
 permanent slip resistant standing area  
 2.3mm thick



## TO SPECIFY/ORDER:

Please use the product reference shown below.

### BATH

1500 x 700mm porcelain enamelled steel bath:  
 2 tap, grips, slip resist **SB1372WH**

### DEDICATED BATH PANELS

Neptune 1500mm front panel **NL7500WH**  
 Neptune 700mm end panel **NL7701WH**

### WASTES

Refer to wastes

### TAPS & MIXERS

Refer to taps & mixers.

### MATERIAL

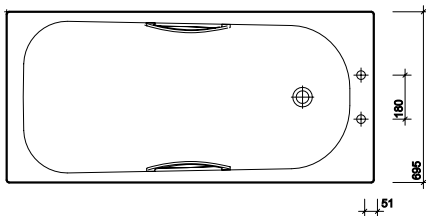
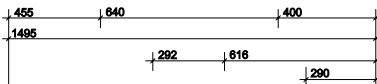
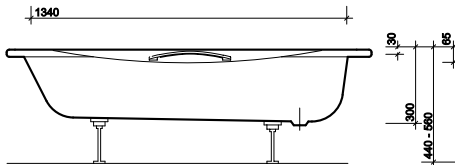
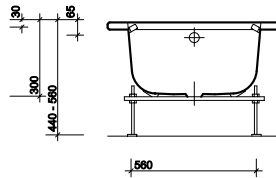
Standard gauge (1.8mm) pressed steel.  
 Enamelled to BS1344 (0.5mm).

### COLOURS

White WH.

### FIXINGS

Cradles with adjustable legs. Secured to wall  
 with clips provided.



All measurements shown are in millimetres.  
 Drawing sizes are not to scale.



Hotels



Commercial



Residential

**Twyford**  
 Geberit Group

# BATH PANELS

twin skin polystyrene  
bonded deep ribbed backing for strength & rigidity



Endurance bath panels

## TO SPECIFY/ORDER:

Please use the product reference shown below.

### ENDURANCE

Front panel 1700mm

**PP2181WH**

End panel 700mm

**PP2182WH**

End panel 750mm

**PP2183WH**

### MATERIAL

Twin skin polystyrene (outer skin 3mm, inner skin 2mm).

### COLOURS

White WH.

### FIXINGS

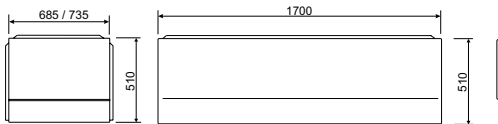
Secured under bath rim using clips supplied with bath and screwed to timber blocks (not provided).

### NOTE

Suitable for use with 1700mm baths. Can be trimmed if required.



Reverse side of the panel



All measurements shown are in millimetres.  
Drawing sizes are not to scale.



Hotels



Commercial



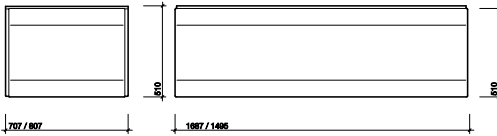
Residential

**Twyford**  
Geberit Group

# BATH PANELS



Galerie Callisto bath panels



## TO SPECIFY/ORDER:

Please use the product reference shown below.

### GALERIE CALLISTO

Front panel  
(for baths up to 1700mm) **GN7121WH**

Front panel  
(for baths up to 1500mm) **GN7125WH**

End panel (for baths up  
to 700mm wide) **GN7122WH**

### MATERIAL

Moulded styrene 3.5mm thick.

### COLOURS

White WH.

### FIXINGS

Secured under bath rim using clips supplied and  
screwed to timber blocks (not provided).



Hotels



Residential

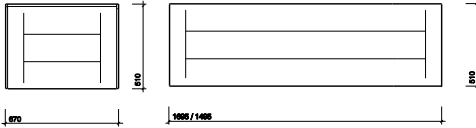
# Twyford

Geberit Group

# BATH PANELS



Neptune bath panel



## TO SPECIFY/ORDER:

Please use the product reference shown below.

### NEPTUNE (DEDICATED TO NEPTUNE BATHS)

Design panel:

Front panel (for 1700mm baths) **NL7700WH**  
 Front panel (for 1500mm baths) **NL7500WH**

### MATERIAL

Moulded styrene 1.8mm thick.

### COLOURS

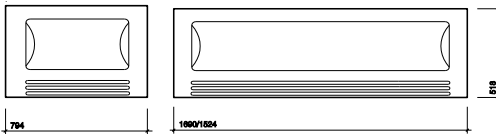
White WH.

### FIXINGS

Secured under bath rim using clips supplied with bath and screwed to timber blocks (not provided).



Omnifit bath panels



## TO SPECIFY/ORDER:

Please use the product reference shown below.

### OMNIFIT

Front panel (for 1700mm baths) **PP2171WH**  
 Front panel (for 1524mm baths) **PP2175WH**  
 End panel (for baths up to 800mm wide) **PP2172WH**

### MATERIAL

Moulded styrene 2mm thick.

### COLOURS

White WH.

### FIXINGS

Secured under bath rim using clips supplied with bath and screwed to timber blocks (not provided).

All measurements shown are in millimetres.  
 Drawing sizes are not to scale.



Hotels



Commercial



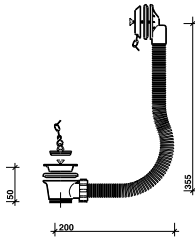
Residential

# Twyford

Geberit Group



# WASTES & TRAPS



Classique waste

## TO SPECIFY/ORDER:

Please use the product reference shown below.

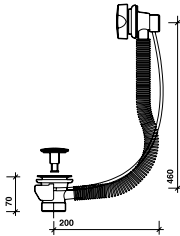
## FINISHES

Chrome plated CP.

## CLASSIQUE 1½" CHAIN WASTE AND OVERFLOW

Chrome plated

CQ5824CP



Combined waste

## TO SPECIFY/ORDER:

Please use the product reference shown below.

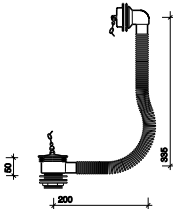
## FINISHES

Chrome plated CP.

## COMBINED POP-UP WASTE/OVERFLOW

Chrome plated

WF5369CP



Chain waste

## TO SPECIFY/ORDER:

Please use the product reference shown below.

## FINISHES

Chrome plated CP.

## CHAIN WASTE/OVERFLOW

Chrome plated

WF5650CP

All measurements shown are in millimetres.  
Drawing sizes are not to scale.

For sector applications please refer to bath.

**Twyford**  
Geberit Group

# TAPS & MIXERS



# SOLA 1/2" LEVER BIB TAPS

back inlet lever action bib tap  
BREEAM compliant when fitted with flow restrictor  
shrouded metal quarter turn

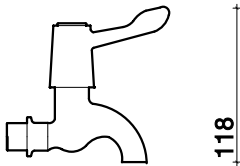


Back inlet lever action bib taps



6" Long levers

48



92

118

## Sola 1/2" Lever BIB Taps, Pair – SF2301CP

Dynamic Pressure	0.5 Bar	1 Bar	2 Bar	3 Bar	4 Bar	5 Bar
Flow Rate (litre's per minute)	12.4	16.1	18.4	25	29	32

The above values are for a single tap only

All measurements shown are in millimetres.  
Drawing sizes are not to scale.



### TO SPECIFY/ORDER:

Please use the product reference shown below.

#### 1/2" BIB TAPS LEVER ACTION

Back inlet, pair **SF2301CP**  
6" Long levers (pair) **SF2704CP**

#### PLATE - FOR BIB TAPS:

77mm projection, pair **SF2701CP**  
115mm projection, pair **SF2702CP**  
115mm projection,  
single, concealed **ZQ5567XX**

#### FINISH

Chrome plated CP.

#### APPROVALS

HBN 00-10 C, code TBH1  
BREEAM (when flow restrictor fitted)  
WRAS Approved



Hotels



Healthcare



Education



Commercial



Less Able

**Twyford**  
Geberit Group

# SOLA 1/2" CROSS HEAD BIB TAPS

back inlet bib taps cross head  
BREEAM compliant when fitted with flow restrictor



Back inlet bib taps cross head

## TO SPECIFY/ORDER:

Please use the product reference shown below.

### 1/2" BIB TAPS CROSS HEAD

Back inlet, pair

SF2302CP

### PLATE - FOR BIB TAPS:

77mm projection, pair

SF2701CP

115mm projection, pair

SF2702CP

115mm projection,  
single, concealed

ZQ5567XX

### FINISH

Chrome plated CP.

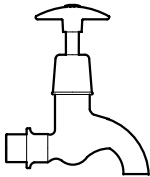
### APPROVALS

KIWA

BREEAM (when flow restrictor fitted)

WRAS Approved

48



128

92

All measurements shown are in millimetres.  
Drawing sizes are not to scale.



Hotels



Education



Commercial



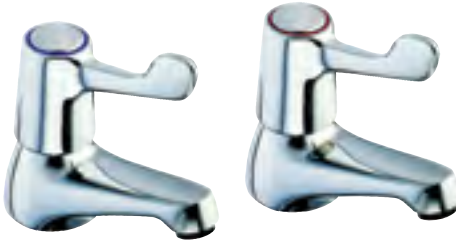
Residential

# Twyford

Geberit Group

# SOLA 1/2" LEVER ACTION TAPS

BREEAM compliant when fitted with flow restrictor



## TO SPECIFY/ORDER:

Please use the product reference shown below.

### 1/2" LEVER ACTION PILLAR TAPS

Pair  
6" Long levers (pair)

SF2401CP  
SF2704CP

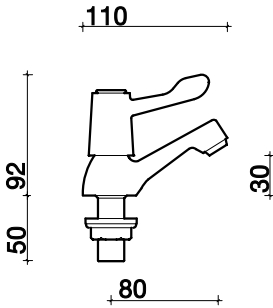
### FINISH

Chrome plated CP.

### APPROVALS

HBN 00-10 C, code TP5  
BREEAM (when flow restrictor fitted)  
WRAS Approved

Lever action pillar taps



All measurements shown are in millimetres.  
Drawing sizes are not to scale.



Hotels



Healthcare



Education



Commercial



Residential



Less Able

# Twyford

Geberit Group

# SOLA 1/2" HIGH NECK LEVER TAPS

brass back nut  
complete with open nozzle & flow straightener  
BREEAM compliant when fitted with flow restrictor



High neck lever action pillar taps

## TO SPECIFY/ORDER:

Please use the product reference shown below.

### 1/2" HIGH NECK LEVER ACTION PILLAR TAPS

Pair SF2403CP  
6" Long levers (pair) SF2704CP

### EXTENSION TUBES FOR USE WITH BELFAST SINKS

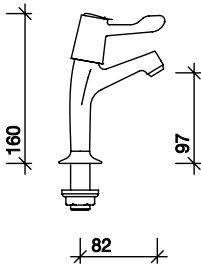
Pair SF2703CP

### FINISH

Chrome plated CP.

### APPROVALS

HBN 00-10 C, code TP3\*, KIWA\*,  
BREEAM (when flow restrictor fitted)



All measurements shown are in millimetres.  
Drawing sizes are not to scale.



Hotels



Healthcare



Education



Commercial



Residential



Less Able

# Twyford

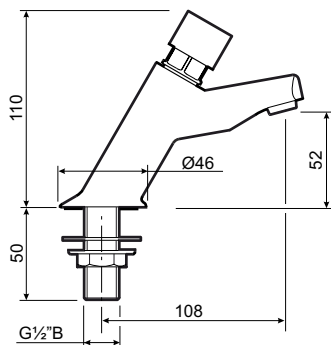
Geberit Group

# SOLA 1/2" NON-CONCUSSIVE TAPS

complete with spray mixer & flow straightener  
water saving operation  
complete with flow restrictor to meet BREEAM



Non-concussive tap (pair)



#### TO SPECIFY/ORDER:

Please use the product reference shown below.

#### 1/2" NON-CONCUSSIVE TAP

Pair **SF2251CP**  
Single **SF2252CP**

#### FINISH

Chrome plated CP.

#### APPROVALS

BSEN816  
WRAS Approved

#### RECOMMENDED OPERATING PRESSURE

Minimum operating pressure 0.5 bar.  
Maximum operating pressure 10 bar.

#### NOTE

Suitable for tap hole sizes 25-32mm.  
At an inlet pressure of 1 bar taps  
give approximately 15 seconds  
(+or - 3 seconds) of flow after  
button is pressed.

Flow rates for SF2151CP and SF2152CP

Pressure (bar)	0.1	0.2	0.3	0.4	0.5	0.6	0.8	1	2	3	4	5
With restrictor (l/min) for BREEAM	1.8	2.4	2.9	3.4	3.8	4.2	4.8	5.3	6.5	7.4	7.9	8.3
Without restrictor (l/min)	3.8	5.3	6.7	7.6	8.5	9.3	10.8	12.0	17.0	20.4	N/A	N/A

All measurements shown are in millimetres.  
Drawing sizes are not to scale.



Hotels



Education



Commercial



Less Able

# Twyford

Geberit Group

# LEVER ACTION MIXER

self draining spout  
adjustable temperature limit stop



Lever action mixer

## TO SPECIFY/ORDER:

Please use the product reference shown below.

### SEQUENTIAL LEVER ACTION MIXER

With flexible tails **SF5347CP**

### THERMOSTATIC MIXING VALVE

Single applications - 15mm **SF1037XX**

### FINISH

Chrome plated CP.

### APPROVALS

TMV2 & TMV3 Approved  
when installed with SF1037XX  
WRAS Approved

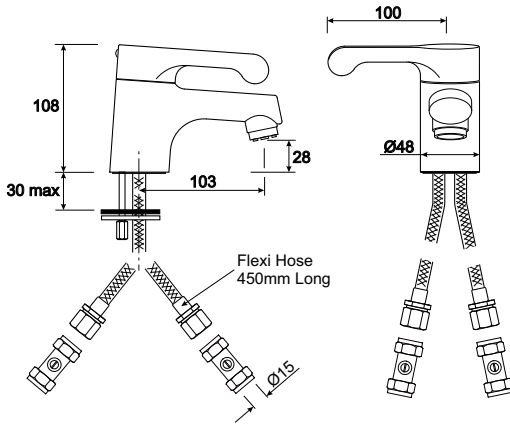


### RECOMMENDED OPERATING PRESSURE

Minimum recommended pressure 0.2 bar  
maximum static pressure 10 bar

### NOTE

Suitable only for reasonably balanced hot and cold  
water supplies from a common source.



## Sequential Lever Action Mixer Tap – SF5347CP

Flow Rate Max (Ltrs/Min)	0.2 Bar	0.5 Bar	1.0 Bar	2.0 Bar	3.0 Bar	5.0 Bar
With Flow Limiters	2.5	3.6	5.5	6.0	6.0	6.0
Without Flow Limiters	2.5	4.0	8.2	9.6	9.6	11.4

All measurements shown are in millimetres.  
Drawing sizes are not to scale.



Hotels



Healthcare



Education



Commercial



Residential



Less Able

# Twyford

Geberit Group

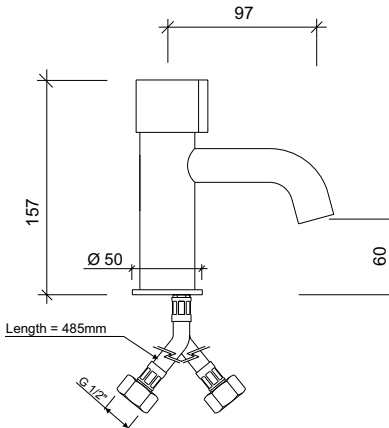


# SOLA NON-CONCUSSIVE TAP

water saving operation  
temperature controlled when fitted with mixing valve  
complete with flow straightener



Non-concussive monobloc



## TO SPECIFY/ORDER:

Please use the product reference shown below.

### TEMPERATURE CONTROLLED NON-CONCUSSIVE MONOBLOC

Single **SF2104CP**  
Flow restrictor 3.0 LPM x2 **SF0200XX**

### THERMOSTATIC MIXING VALVE

Single applications - 15mm **SF1037XX**

### FINISH

Chrome plated CP.

### APPROVALS

HBN 00-10 C, code TPP1  
TMV2 & TMV3 Approved  
when installed with SF1037XX  
WRAS Approved



### RECOMMENDED OPERATING PRESSURE

Minimum operating pressure 0.5 bar (dynamic).  
Maximum operating pressure 5 bar.

### NOTE

At an inlet pressure of 1 bar taps  
give approximately 15 seconds  
(+ or - 3 seconds) of flow after button  
is pressed.

Flow Rate (litres per minute)	0.5 Bar	1.0 Bar	2.0 Bar	3.0 Bar	4.0 Bar	5.0 Bar
Standard	5.1	7.2	10.7	13.5	15.2	16.2
Flow Restrictor Fitted (Part No. SF0200XX)	3.0	3.5	3.7	3.8	3.8	3.8

All measurements shown are in millimetres. Drawing sizes are not to scale.



Hotels



Healthcare



Education



Commercial

**Twyford**  
Geberit Group

# SOLA SINGLE LEVER BASIN MONO MIXER

complete with ceramic cartridge  
 accompanying flexible tails  
 suitable for both high and low pressure applications



sola basin mono mixer

#### TO SPECIFY/ORDER:

Please use the product reference shown below.

#### SOLA BASIN MONO MIXER

sola basin mono mixer

SF5357CP

#### FINISH

Chrome plated CP.

#### APPROVALS

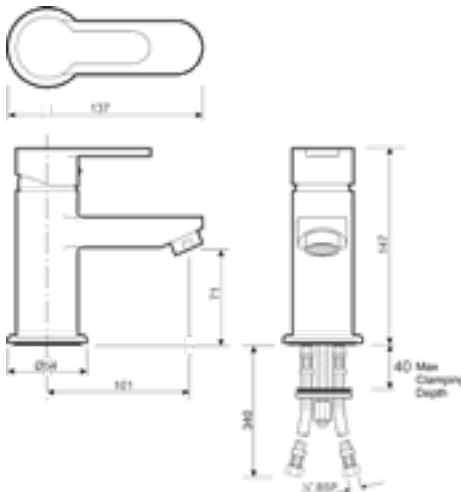
WRAS approved

#### RECOMMENDED OPERATING PRESSURE

Minimum operating pressure 0.3bar.

Maximum operating pressure 5.0bar.

Maximum static pressure 10.0bar.



#### Mono Mixer Tap - SF5357CP

Flow Rate Max (Litrs/Min)	0.2 Bar	0.5 Bar	1.0 Bar	2.0 Bar	3.0 Bar	5.0 Bar
With Fitted flow Restrictor	4.3	6.8	7.5	7.5	7.5	7.5
With 3.5ltr flow Restrictor	1.5	2.1	2.8	3.5	3.3	3.2
Without Flow Restrictor	4.3	6.8	9.5	13.1	16.0	20.7

All measurements shown are in millimetres.  
 Drawing sizes are not to scale.



Hotels



Education



Commercial



Less Able

# Twyford

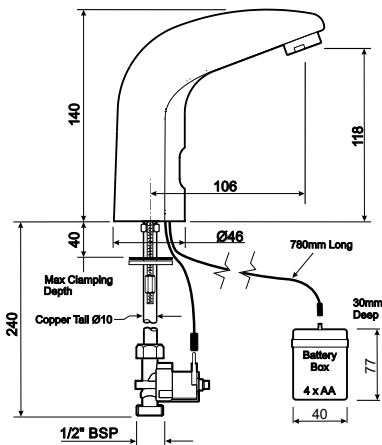
Geberit Group

# SOLA INFRA-RED TAP - BATTERY

Timed flow control automatically shuts off water flow  
Hygiene flush after 24 hours of none use  
Copper inlets as standard



Sola infra-red tap - battery



## TO SPECIFY/ORDER:

Please use the product reference shown below.

### INFRA RED MONOBLOC

Single - battery operated **SF2610CP**

### THERMOSTATIC MIXING VALVE

Single applications - 15mm **SF1037XX**

### CONVERSION KIT

Electric 240v conversion kit **SF1020CP**

### FINISH

Chrome plated CP.

### APPROVALS

WRAS approved

### RECOMMENDED OPERATING PRESSURE

Minimum operating pressure 1 bar.  
Maximum operating pressure 5 bar.  
Maximum static pressure 8 bar

### NOTE

Supplied with full service and maintenance instructions.  
Suitable for tap hole sizes 30-36mm.  
Hygiene flush after 24 hours of none use.  
Hygiene flush on time 10 seconds.  
Battery Life 100,000 cycles (approx).

## Infra Red Tap – SF2610CP

Flow Rate (Litres per minute)	1 Bar	2 Bar	3 Bar	4 Bar	5 Bar
With Fitted Flow Regulator	2.6	3.3	3.6	3.8	4.2
With Supplied Flow Regulator	5.6	6.7	7.0	7.5	7.6
Without Flow Regulator	12.1	16.7	20.1	24.3	29.9



Hotels



Healthcare



Education



Commercial



Less Able

# Twyford

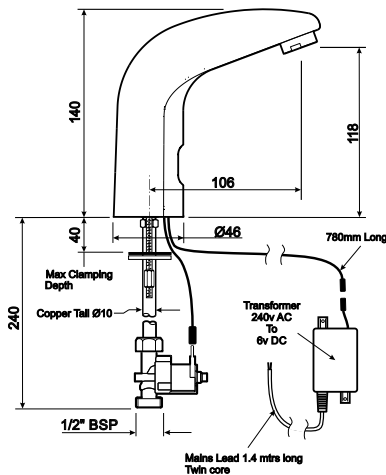
Geberit Group

# SOLA INFRA-RED TAP - MAINS

Timed flow control automatically shuts off water flow  
Hygiene flush after 24 hours of none use  
Copper inlets as standard



Sola infra-red tap - mains



## Infra Red Tap – SF2611CP

Flow Rate (Litres per minute)	1 Bar	2 Bar	3 Bar	4 Bar	5 Bar
With Fitted Flow Regulator	2.6	3.3	3.6	3.8	4.2
With Supplied Flow Regulator	5.6	6.7	7.0	7.5	7.6
Without Flow Regulator	12.1	16.7	20.1	24.3	29.9

### TO SPECIFY/ORDER:

Please use the product reference shown below.

#### INFRA RED MONOBLOC

Single - mains operated **SF2611CP**

#### THERMOSTATIC MIXING VALVE

Single applications - 15mm **SF1037XX**

#### CONVERSION KIT

Electric 240v conversion kit **SF1020CP**

#### FINISH

Chrome plated CP.

#### APPROVALS

WRAS approved

#### RECOMMENDED OPERATING PRESSURE

Minimum operating pressure 1 bar.  
Maximum operating pressure 5 bar.  
Maximum static pressure 8 bar

#### NOTE

Supplied with full service and maintenance instructions.  
Suitable for tap hole sizes 30-36mm.  
Hygiene flush after 24 hours of none use.  
Hygiene flush on time 10 seconds.



Hotels



Healthcare



Education



Commercial



Less Able

# Twyford

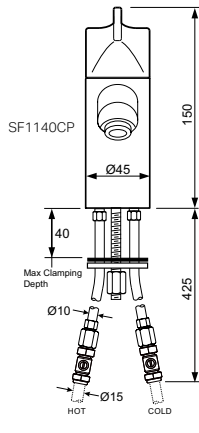
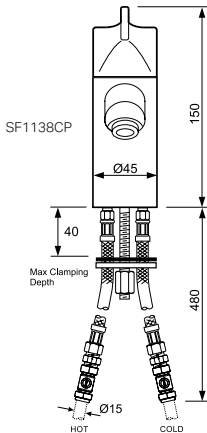
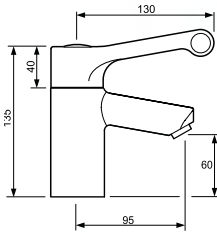
Geberit Group

100

# SOLA THERMOSTATIC BASIN MIXER WITH FIXED SPOUT

self-draining spout  
open hole outlet  
flexible or copper hoses as standard

Sola Thermostatic Basin Mixer Tap



## TO SPECIFY/ORDER:

Please use the product reference shown below.

### SOLA THERMOSTATIC BASIN MIXER TAP

\*Including flexible hoses and service valve

**SF1138CP**

### SOLA THERMOSTATIC BASIN MIXER TAP

Including copper tails and service valve

**SF1140CP**

## FINISH

Chrome plated CP.

## APPROVALS

BREEAM compliant.

TMV3 Approved

\*WRAS Approved



## RECOMMENDED OPERATING PRESSURE

Maximum inlet pressure Static 12bar

Maximum Recommended operating pressure 5bar

Minimum Operating Pressure 0.2bar

Maximum Inlet temperature 85°C

Minimum Inlet Temperature 10°C

Maximum un-balanced pressure ratio (without flow regulator) 5:1

\*Minimum Temperature differential 10°C

Pre-set Factory outlet temperature 38°C

\*Temperature difference between inlet temperature (Hot or Cold) and outlet temperature to ensure failsafe operation.

## Sola Thermostatic Basin Mixer Tap - SF1138CP/SF1140CP

Flow Rate (Litres per minute)	0.5 Bar	1 Bar	2 Bar	3 Bar	4 Bar	5 Bar
With Flow Regulators Fitted	2.7	3.1	3.7	3.8	4.1	4.2

All measurements shown are in millimetres.  
Drawing sizes are not to scale.



Hotels



Healthcare



Education



Commercial



Less Able

# Twyford

Geberit Group

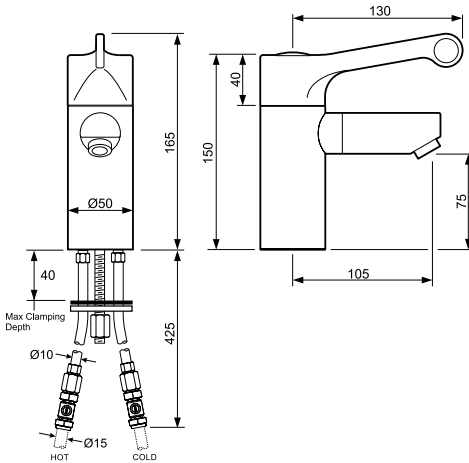
101

# SOLA THERMOSTATIC BASIN MIXER WITH DETACHABLE SPOUT

cool touch  
removable spout suitable for autoclaving  
self-draining spout with smooth internals and open hole outlet



Sola Thermostatic Basin Mixer with Detachable Spout



## TO SPECIFY/ORDER:

Please use the product reference shown below.

## THERMOSTATIC BASIN MIXER TAP

Single lever sequential thermostatic basin mixer tap:  
Including copper tails and service valves

**SF1139CP**

## FINISH

Chrome plated CP.

## APPROVALS

BREEAM compliant.  
TMV3 Approved.  
HBN 00-10 C, code TP6, HBN-04-01-A  
WRAS Approved



## RECOMMENDED OPERATING PRESSURE

Maximum inlet pressure Static 12bar

Maximum Recommended operating pressure 5bar

Minimum Operating Pressure 0.2bar

Maximum Inlet temperature 85°C

Minimum Inlet Temperature 10°C

Maximum un-balanced pressure ratio (without flow regulator) 5:1

Maximum Un-balance pressure ratio (with flow regulator) 15:1

\*Minimum Temperature differential 10°C

Pre-set Factory Outlet Temperature 38°C

\*Temperature difference between inlet temperature (Hot or Cold) and outlet temperature to ensure failsafe operation.

## SOLA THERMOSTATIC BASIN MIXER WITH DETACHABLE SPOUT - SF1139CP

Flow Rate (Litres per minute)	0.5 Bar	1 Bar	2 Bar	3 Bar	4 Bar	5 Bar
With Flow Regulators Fitted	2.7	2.9	3.5	3.9	4.3	4.4

All measurements shown are in millimetres.  
Drawing sizes are not to scale.



Hotels



Healthcare



Education



Commercial



Less Able

# Twyford

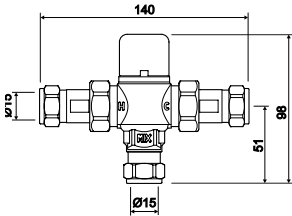
Geberit Group

102

# THERMOSTATIC MIXING VALVES

TO SPECIFY/ORDER:

Please use the product reference shown below.



15mm Mixing valve

## THERMOSTATIC MIXING VALVE

Single applications - 15mm

SF1037XX

### FINISH

Chrome plated.

### APPROVALS

TMV2

TMV3

WRAS Approved



All measurements shown are in millimetres.  
Drawing sizes are not to scale.



Hotels



Healthcare



Education



Commercial



Less Able

# Twyford

Geberit Group

103

# SOLA THERMOSTATIC DM SURGEONS MIXER LEVER

flow straightener compliant to HTM 04-01  
removable spout version suitable for autoclaving  
self draining spout with smooth internals



Deck mounted

## TO SPECIFY/ORDER:

Please use the product reference shown below.

## SOLA THERMOSTATIC SURGEONS MIXER, LEVER, INCLUDING

Deck mounted, fixed spout **SF1133CP**  
Deck mounted, detachable spout **SF1134CP**

## FINISH

Chrome plated CP

## APPROVALS

BREEAM compliant  
TMV3  
WRAS Approved



## RECOMMENDED OPERATING PRESSURE

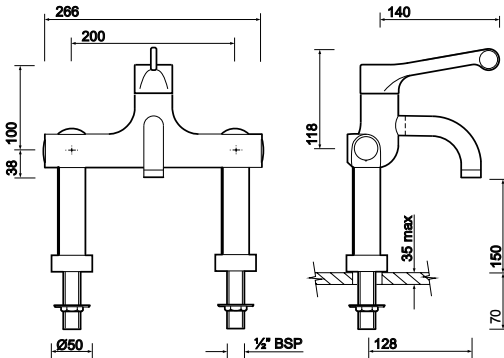
Minimum operating pressure 1 bar.  
Maximum static pressure 12 bar.  
Maximum dynamic pressure 5 bar.

## AVAILABLE ACCESSORIES

Flushing kit **SF0115XX**  
Filter housing removal tool **SF0116XX**  
Removable spout **SF0117CP**  
Nozzle outlet **SF0118CP**

## ADDITIONAL FEATURES

- One piece thermostatic cartridge
- Complete with brass back nuts
- Built in pasteurisation facility
- Isolation valves, check valves & filters front accessible
- Cool touch body



## Manual Surgeons Mix SF1133/4CP

CP

Flow Rate (Litre's per minute)	1 Bar	2 Bar	3 Bar	4 Bar	5 Bar
With Flow Regulators Fitted	4.1	4.6	5.1	6	6

All measurements shown are in millimetres.  
Drawing sizes are not to scale.



Healthcare



Commercial

**Twyford**  
Geberit Group

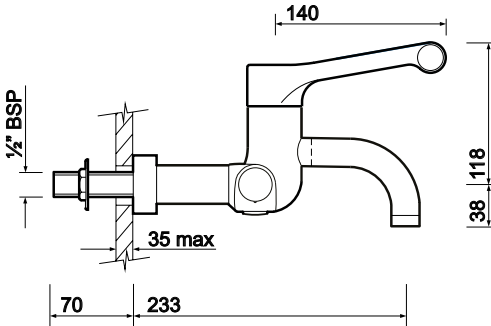
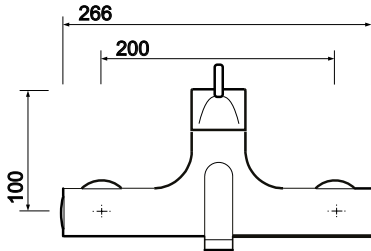


# SOLA THERMOSTATIC WM SURGEONS MIXER LEVER

flow straightener compliant to HTM 04-01  
removable spout version suitable for autoclaving  
self draining spout with smooth internals



Wall mounted



#### TO SPECIFY/ORDER:

Please use the product reference shown below.

#### SOLA THERMOSTATIC SURGEONS MIXER, LEVER, INCLUDING

Wall mounted, fixed spout **SF1131CP**  
Wall mounted, detachable spout **SF1132CP**

#### FINISH

Chrome plated CP

#### APPROVALS

BREEAM compliant  
TMV3  
WRAS Approved  
HBN 00-10 C, code TB H2A



#### RECOMMENDED OPERATING PRESSURE

Minimum operating pressure 1 bar.  
Maximum static pressure 12 bar.  
Maximum dynamic pressure 5 bar.

#### AVAILABLE ACCESSORIES

Flushing kit **SF0115XX**  
Filter housing removal tool **SF0116XX**  
Removable spout **SF0117CP**  
Nozzle outlet **SF0118CP**

#### ADDITIONAL FEATURES

- One piece thermostatic cartridge
- complete with brass back nuts
- Built in pasteurisation facility
- Isolation valves, check valves & filters front accessible
- Cool touch body

#### Manual Surgeons Mixer – SF1131/2<sup>1</sup>

CP

Flow Rate (Litre's per minute)	1 Bar	2 Bar	3 Bar	4 Bar	5 Bar
With Flow Regulators Fitted	4.1	4.6	5.1	6	6

All measurements shown are in millimetres.  
Drawing sizes are not to scale.



Healthcare



Commercial

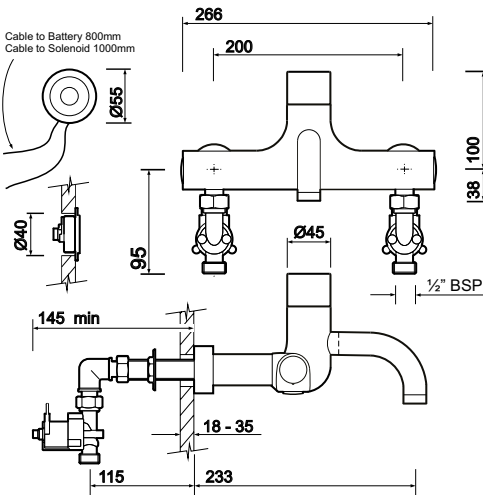
**Twyford**  
Geberit Group

# SOLA THERMOSTATIC SURGEONS MIXER INFRARED

removable spout version suitable for autoclaving  
self draining spout with smooth internals  
24 hour automatic hygiene flush (flow time 60 seconds)



Detachable spout



## TO SPECIFY/ORDER:

Please use the product reference shown below.

## SOLA THERMOSTATIC WALL MOUNTED SURGEONS MIXER, INFRARED, INCLUDING

Fixed spout **SF1129CP**  
Detachable spout **SF1130CP**

Electric 240v conversion kit **SF1020CP**

## FINISH

Chrome plated CP

## APPROVALS

BREEAM compliant  
TMV3  
WRAS Approved  
HBN 00-10 C, code TB H6



## RECOMMENDED OPERATING PRESSURE

Minimum operating pressure 1 bar.  
Maximum static pressure 12 bar.  
Maximum dynamic pressure 5 bar.

## AVAILABLE ACCESSORIES

Flushing kit **SF0115XX**  
Filter housing removal tool **SF0116XX**  
Removable spout **SF0117CP**  
Nozzle outlet **SF0118CP**

## ADDITIONAL FEATURES

- Infrared operation, wave on/off with 60 second pre-set flow times
- Cool touch body
- One piece thermostatic cartridge
- Compliant to HTM0401, PRH8941.0.6, HBN00.09
- Built in pasteurisation facility
- Isolation valves, check valves & filters front accessible

## Infra Red Surgeons Mixer – SF1129CP & SF1130CP

Flow Rate (Litres per minute)	1 Bar	2 Bar	3 Bar	4 Bar	5 Bar
With Flow Regulators Fitted	4.1	4.6	5.1	6	6

All measurements shown are in millimetres.  
Drawing sizes are not to scale.



Healthcare



Commercial

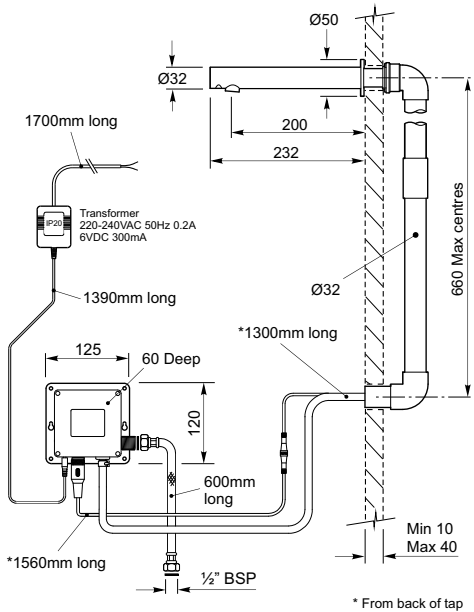
**Twyford**  
Geberit Group

# SOLA INFRA RED SPOUT

sensor underside of tap for hygienic non-touch operation  
 automatically stops after 70 seconds maximum  
 battery or mains powered



Sola wall mounted infra red spout, round



## TO SPECIFY/ORDER:

Please use the product reference shown below.

## WALL MOUNTED INFRA RED SPOUT

Round **SF1249CP**

## THERMOSTATIC MIXING VALVE

Single applications 15mm **SF1037XX**

## FINISH

Chrome plated CP.

## APPROVALS

TMV2 & TMV3 Approved when  
 installed with SF1037XX  
 BREEAM compliant



## RECOMMENDED OPERATING

### PRESSURE

Min. operating pressure 0.5 bar  
 Maximum operating pressure 5.0 bar

## POWER

Mains  
 Transformer 220-240V AC 50Hz 0.2A

## BATTERY

6V DC (4x AA, provided)

## NOTE

Flow - up to 70 seconds

## Wall Mounted Infra-Red Spout, Round – SF1249CP

Flow Rate Max (Ltrs/Min)	0.5 Bar	1 Bar	1.5 Bar	2.0 Bar	3.0 Bar	5.0 Bar
With Flow Limiter fitted	4.3	3.8	3.8	3.8	3.8	3.8

All measurements shown are in millimetres.  
 Drawing sizes are not to scale.



Commercial

**Twyford**  
 Geberit Group

# SOLA SURGEONS MIXER ACCESSORIES

accessories suitable for use with sola thermostatic surgeons mixer  
refer to individual product pages for where used

---



Flushing kit

## FLUSHING KIT

Flushing kit  
SF0115XX

**FINISH**  
Brass.

---



Filter housing removal tool

## FILTER HOUSING REMOVAL TOOL

Filter housing removal tool  
SF0116XX

**FINISH**  
Brass.

---



Removable spout

## REMOVABLE SPOUT

Removable spout  
SF0117CP

**FINISH**  
Chrome plated CP.

---



Nozzle outlet

## NOZZLE OUTLET

Nozzle outlet  
SF0118CP

**FINISH**  
Chrome plated CP.

---

All measurements shown are in millimetres.  
Drawing sizes are not to scale.

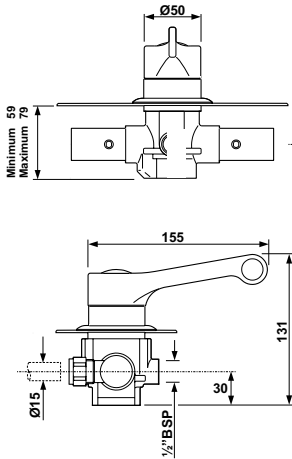
---

# SOLA THERMOSTATIC CONCEALED SHOWER VALVES

antiscald failsafe technology  
thermostatic control  
ergonomic operation



sola thermostatic shower valve - concealed



## TO SPECIFY/ORDER:

Please use the product reference shown below.

## THERMOSTATIC SHOWER VALVE

Concealed valve **SF1137CP**  
Concealed valve inc. Wall Outlet Elbow **SF1555CP**

## SHOWER RAIL

Sola Shower rail, hose & head - single function, smooth hose **SF1256CP**  
Sola Shower rail, hose & head - multi function, braided hose **SF1261CP**

## FINISH

Chrome plated CP.

## APPROVALS

HBN 00-10 C, code (TM1)  
WRAS Approved



## SYSTEM REQUIREMENTS

Suitable for use with unvented supplies, combi boilers, gravity and mains pressure systems.

## RECOMMENDED OPERATING PRESSURE

Max Inlet pressure static 10 Bar.  
Max recommended dynamic pressure 5 Bar.  
Min operating pressure dynamic 0.2 Bar.  
Max unbalanced pressure ratio 5:1.  
Inlet connections 15mm.  
Outlet connections 1/2".  
Max inlet temperature 85°C.  
Min Temp differential to ensure failsafe between hot and cold supplies 10°C.

## NOTE

Pre-set factory temperature setting 38°C.  
Suitable for use with unvented supplies, combi boilers, gravity and mains pressure systems.

SOLA TMV3 SHOWER VALVE, CONCEALED - SF1137CP & SF1555CP						
Pressure	0.5 Bar	1 Bar	2 Bar	3 Bar	4 Bar	5 Bar
Flow Rate (Litres per minute)	8.6	10.5	15.2	18.8	22.6	24.5



Hotels



Education



Commercial



Residential



Less Able

**Twyford**  
Geberit Group

# SOLA THERMOSTATIC EXPOSED SHOWER VALVES

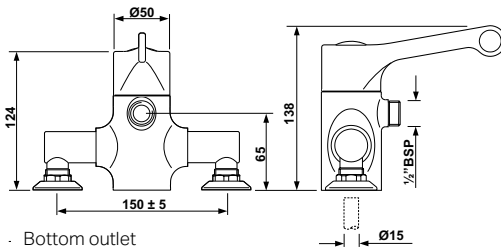
antiscald failsafe technology  
thermostatic control  
ergonomic operation



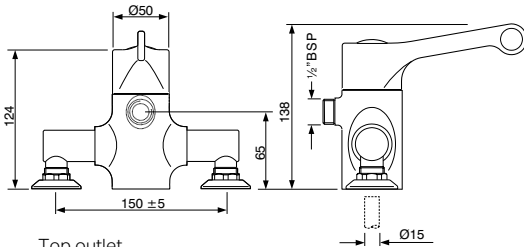
sola thermostatic shower  
bottom outlet



sola thermostatic shower  
top outlet



Bottom outlet



Top outlet

## TO SPECIFY/ORDER:

Please use the product reference shown below.

## THERMOSTATIC SHOWER VALVE

Exposed valve bottom outlet **SF1136CP**  
Exposed valve top outlet **SF1135CP**

## SHOWER RAIL

Sola Shower rail, hose & head **SF1256CP**  
Sola Shower rail, hose & head **SF1261CP**  
- multi function, braided hose

## FINISH

Chrome plated CP.

## APPROVALS

WRAS Approved



## SYSTEM REQUIREMENTS

Suitable for use with unvented supplies, combi boilers, gravity and mains pressure systems.

## RECOMMENDED OPERATING PRESSURE

Max Inlet pressure static 10 Bar.  
Max recommended dynamic pressure 5 Bar.  
Min operating pressure dynamic 0.2 Bar.  
Max unbalanced pressure ratio 5:1.  
Inlet connections 15mm.  
Outlet connections 1/2".  
Max inlet temperature 85°C.  
Min Temp differential to ensure failsafe between hot and cold supplies 10°C.

## NOTE

Pre-set factory temperature setting 38°C.  
Suitable for use with unvented supplies, combi boilers, gravity and mains pressure systems.

### SOLA TMV3 SHOWER VALVE, EXPOSED - SF1135CP & SF1136CP

Pressure	0.5 Bar	1 Bar	2 Bar	3 Bar	4 Bar	5 Bar
Flow Rate (Litres per minute)	8.4	11.4	15.2	18.6	22.1	23.9



Hotels



Healthcare



Education



Commercial



Residential

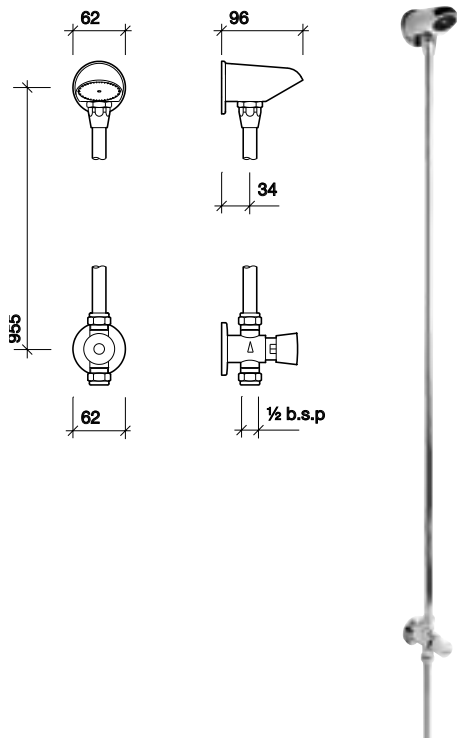


Less Able

**Twyford**  
Geberit Group

# SOLA NON-CONCUSSIVE SHOWER

exposed non-concussive shower valve and anti-vandal head  
flow restrictor fitted to meet BREEAM



## TO SPECIFY/ORDER:

Please use the product reference shown below.

### NON-CONCUSSIVE SHOWER VALVE AND VANDAL RESISTANT HEAD

Exposed **SF1215CP**

### THERMOSTATIC MIXING VALVE

Single applications - 15mm **SF1037XX**

### FINISH

Chrome plated CP.

### APPROVALS

BREEAM compliant

\*TMV2 & TMV3 Approved  
when installed with SF1037XX



### RECOMMENDED OPERATING

#### PRESSURE

Minimum operating pressure 0.1 bar.

Maximum rec. operating pressure 3 bar.

### NOTE

At an inlet pressure of 1 bar valve gives  
approximately 25 seconds (+ or - 3  
seconds) of flow after button is pressed.  
Inlet connections 15mm.  
Outlet connections 2 x 1/2" BSP.

sola non-concussive thermostatic shower valve & head - exposed

FLOW RATES SF1205CP									
Pressure (bar)	0.1	0.2	0.5	1.0	2.0	3.0	4.0	5.0	
Without restrictor (l/min)	2.6	4.3	7.1	10.6	15.4	19.1	19.8	25.8	
With restrictor (l/min) for BREEAM	1.7	3.1	4.9	7.1	8.5	8.7	8.2	8.6	

All measurements shown are in millimetres.  
Drawing sizes are not to scale.



Hotels



Education



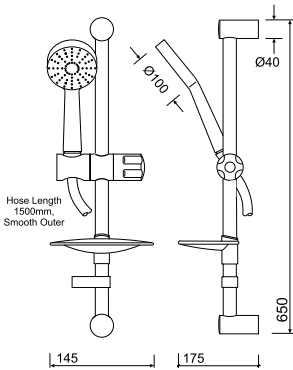
Commercial

# Twyford

Geberit Group

# SOLA SHOWER FITTINGS

soap dish  
height adjustable handset  
available as single or three mode handset



sola shower rail, hose & head - single function

## SHOWER RAIL, HOSE & HEAD

Sola Shower Rail Hose & Head  
Single Function, smooth hose

**SF1256CP**

\*Outlet Boss

**SF1150CP**

**FINISH:** Chrome plated CP

## APPROVALS

WRAS approved

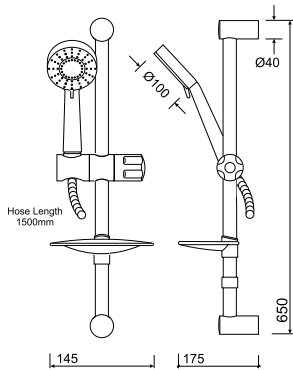
## RECOMMENDED OPERATING PRESSURE

Min. operating pressure 0.1 bar.  
Max. dynamic pressure 5 bar.  
1500mm hose.

\* When used with a Concealed shower



RISER RAIL SHOWER KIT, SINGLE FUNCTION HEAD - SF1256CP						
Flow Rate (Litres per minute)	0.5	1.0	2.0	3.0	4.0	4.0
Without Flow Regulator Fitted	9.2	12.7	18.2	22.3	26.	29.1
8 ltr/min Flow Limiter (Supplied)	5.4	7.1	8.4	7.8	7.5	7.6



sola shower rail, hose & head - multi function

## SHOWER RAIL, HOSE & HEAD

Sola Shower Rail Hose & Head  
- Multi Function, braided hose

**SF1261CP**

8 LPM Flow regulator

**XS9008XX**

\*Outlet Boss

**SF1150CP**

**FINISH:** Chrome plated CP

## APPROVALS

WRAS approved

## RECOMMENDED OPERATING PRESSURE

Min. operating pressure 0.1 bar.  
Max. dynamic pressure 5 bar.  
1500mm hose.

\* When used with a Concealed shower



RISER RAIL SHOWER KIT, MULTI FUNCTION HEAD - SF1261CP						
Flow Rate (Litres per minute)	0.5	1.0	2.0	3.0	4.0	4.0
Without Flow Regulator Fitted	10.2	14.2	18.9	24.0	27.1	30.5

All measurements shown are in millimetres.  
Drawing sizes are not to scale.



Hotels



Healthcare



Education



Commercial



Residential



Less Able

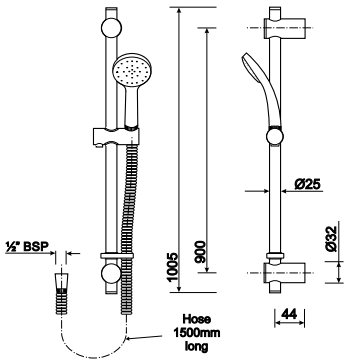
# Twyford

Geberit Group



# SOLA SHOWER FITTINGS

soap dish  
height adjustable handset  
available as single or three mode handset



## SHOWER RAIL, HOSE & HEAD

Sola Shower Rail Hose & Head  
Single Function, braided hose

SF1231CP

## FINISH

Chrome plated CP

## APPROVALS

BS8300

## RECOMMENDED OPERATING PRESSURE

Min. operating pressure 0.1 bar.  
Max. dynamic pressure 5 bar.

sola shower rail, hose & head - single function

Flow Rate (Litre's per minute)	0.5 Bar	1 Bar	2 Bar	3 Bar	4 Bar	5 Bar
Through Handset ( Flow Regulator Fitted )	3.9	5.3	8.0	8.5	9.0	9.0

All measurements shown are in millimetres.  
Drawing sizes are not to scale.



Hotels



Healthcare



Education



Commercial



Residential



Less Able

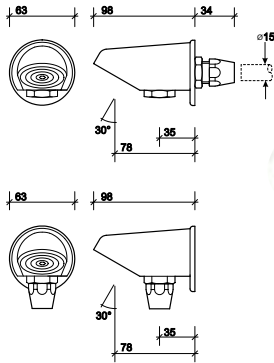
# Twyford

Geberit Group

# SOLA SHOWER FITTINGS

**TO SPECIFY/ORDER:**

Please use the product reference shown below.



sola shower vandal resistant head

Shower vandal resistant head **SF1353CP**

**FINISH**

Chrome plated CP.

**APPROVALS**

BREEAM compliant  
WRAS Approved

**RECOMMENDED OPERATING PRESSURE**

Minimum operating pressure 0.2 bar.  
Maximum operating pressure 10 bar.

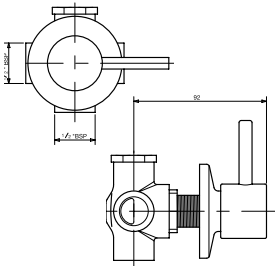
**NOTE**

Flow regulator fitted, remove if not required.  
Single flow.  
Durable.



**VANDAL RESISTANT SHOWER HEAD - SF1353CP**

Flow Rate (Litre's per minute)	1 Bar	1.5 Bar	2 Bar	2.5 Bar	3 Bar	4 Bar	5 Bar
8 ltr/min Flow Limiter Fitted (supplied)	4.9	5.5	6.3	6.8	7.4	8.0	8.3



sola shower diverter

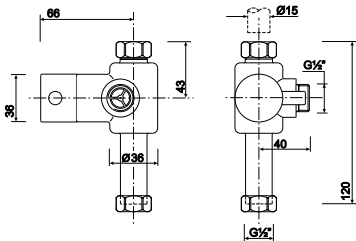
Shower diverter **SF1304CP**

**FINISH**

Chrome plated CP.

**NOTE**

3 way diverter with central off position.



sola shower diverter

Shower diverter **SF1207CP**

**FINISH**

Chrome plated CP.

**NOTE**

3 way diverter with central off position.

All measurements shown are in millimetres.  
Drawing sizes are not to scale.



Hotels



Healthcare



Education



Commercial



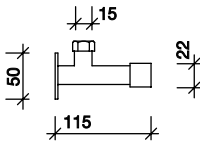
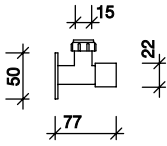
Less Able

**Twyford**

Geberit Group

# ACCESSORIES

suitable for sola bib taps,  
refer to individual product pages



Back inlet bib tap  
extension tube/wall plate

## 1/2" BIB TAPS EXTENSION TUBE/WALL PLATE - FOR BIB TAPS:

77mm projection, pair

SF2701CP

77mm projection, single

SF2705CP

115mm projection, pair

SF2702CP

115mm projection, single

SF2706CP

115mm projection,  
single, concealed

ZQ5567XX

**FINISH:** Chrome plated CP.

All measurements shown are in millimetres. Drawing  
sizes are not to scale.

**Twyford**  
Geberit Group

# SHOWER TRAYS



# TWYFORD TRAYS - SQUARE FLAT TOP

simple, stylish, low profile  
legs & panel kit & waste to be ordered separately



Square flat top tray

## TO SPECIFY/ORDER:

Please use the product reference shown below.

### SQUARE - FLAT TOP SHOWER TRAY

760 x 760mm	<b>TR6111WH</b>
800 x 800mm	<b>TR6121WH</b>
900 x 900mm	<b>TR6131WH</b>
1000 x 1000mm	<b>TR6141WH</b>

### ACCESSORIES

Standard legset & panel kit (for trays up to 1200mm)	<b>TR6012WH</b>
---	-----------------

### MATERIAL

Tray: 2/2.5mm acrylic capped ABS, reinforced with limestone filled polyconcrete.

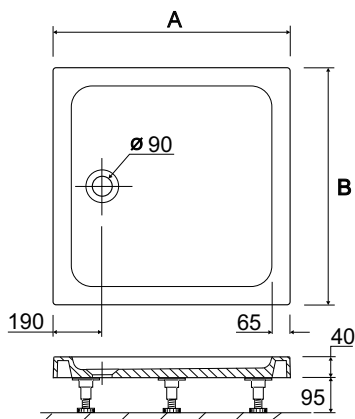
Panel: 2mm gloss UPVC (Unplasticized polyvinyl chloride).

### COLOURS

White WH.

### NOTE

All trays can be installed flat to floor, or used in conjunction with legset & panel kit (to be ordered separately).



Part Number	Description	A	B
TR6111WH	760 x 760 4 Flat Top Tray	770	770
TR6121WH	800 x 800 4 Flat Top Tray	810	810
TR6131WH	900 x 900 4 Flat Top Tray	910	910
TR6141WH	1000 x 1000 4 Flat Top Tray	1010	1010

All measurements shown are in millimetres.  
Drawing sizes are not to scale.



Hotels



Healthcare



Education



Commercial



Residential

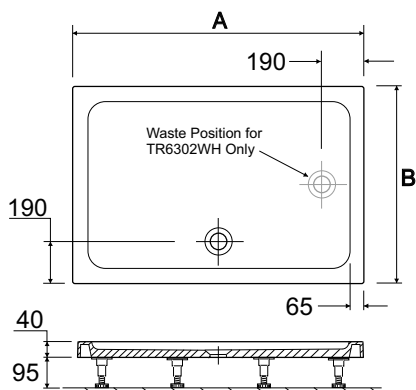
**Twyford**  
Geberit Group

# TWYFORD TRAYS - RECTANGLE FLAT TOP

simple, stylish, low profile  
legs & panel kit & waste to be ordered separately



Rectangle flat top tray



Part Number	Description	A	B
TR6331WH	900 x 760 Flat Top Tray	910	770
TR6341WH	1000 x 760 Flat Top Tray	1010	770
TR6342WH	1000 x 800 Flat Top Tray	1010	810
TR6351WH	1100 x 800 Flat Top Tray	1110	810
TR6361WH	1200 x 760 Flat Top Tray	1210	770
TR6362WH	1200 x 800 Flat Top Tray	1210	810
TR6463WH	1200 x 900 Flat Top Tray	1210	910
TR6381WH	1400 x 900 Flat Top Tray	1410	910
TR6391WH	1500 x 800 Flat Top Tray	1510	810
TR6301WH	1600 x 800 Flat Top Tray	1610	810
TR6302WH	1700 x 700 Flat Top Tray	1710	710
TR6303WH	1700 x 750 Flat Top Tray	1710	760
TR6304WH	1700 x 800 Flat Top Tray	1710	810

All measurements shown are in millimetres.  
Drawing sizes are not to scale.

## TO SPECIFY/ORDER:

Please use the product reference shown below.

### RECTANGLE - FLAT TOP SHOWER TRAY

900 x 760mm	TR6331WH
1000 x 760mm	TR6341WH
1000 x 800mm	TR6342WH
1100 x 800mm	TR6351WH
1200 x 760mm	TR6361WH
1200 x 800mm	TR6362WH
1200 x 900mm	TR6463WH
*1400 x 900mm	TR6381WH
*1500 x 800mm	TR6391WH
*1600 x 800mm	TR6301WH
*1700 x 700mm	TR6302WH
*1700 x 750mm	TR6303WH
*1700 x 800mm	TR6304WH

### ACCESSORIES

Standard legset & panel kit  
(for trays up to 1200mm) **TR6012WH**

Extension legset & panel kit  
(for trays over 1200mm) **TR6013WH**

### MATERIAL

Tray: 2/2.5mm acrylic capped ABS, reinforced with limestone filled polyconcrete.  
Panel: 2mm gloss UPVC (Unplasticized polyvinyl chloride).

### COLOURS

White WH.

### NOTE

All trays can be installed flat to floor, or used in conjunction with legset & panel kit (to be ordered separately).

\*If installing with legs & panels, BOTH a standard leg/panel kit AND an extension leg/panel kit must be ordered.



Hotels



Healthcare



Education



Commercial



Residential

**Twyford**  
Geberit Group

# TWYFORD TRAYS - QUADRANT FLAT TOP

simple, stylish, low profile  
legs & panel kit & waste to be ordered separately



Quadrant flat top tray

#### TO SPECIFY/ORDER:

Please use the product reference shown below.

#### QUADRANT - FLAT TOP SHOWER TRAY

800mm **TR6521WH**

900mm **TR6531WH**

1000mm **TR6541WH**

#### ACCESSORIES

Quadrant legset & panel kit **TR6011WH**

#### MATERIAL

Tray: 2/2.5mm acrylic capped ABS, reinforced with limestone filled polyconcrete.

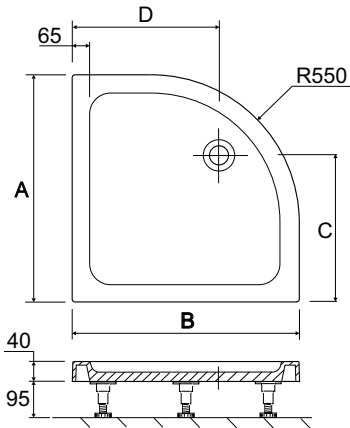
Panel: 2mm gloss UPVC (Unplasticized polyvinyl chloride).

#### COLOURS

White WH.

#### NOTE

All trays can be installed flat to floor, or used in conjunction with legset & panel kit (to be ordered separately).



Part Number	Description	A	B	C	D
TR6521WH	800 x 800 Flat Top Tray	810	810	500	500
TR6531WH	900 x 900 Flat Top Tray	910	910	600	600
TR6541WH	1000 x 1000 Flat Top Tray	1010	1010	700	700

All measurements shown are in millimetres.  
Drawing sizes are not to scale.



Hotels



Healthcare



Education



Commercial



Residential

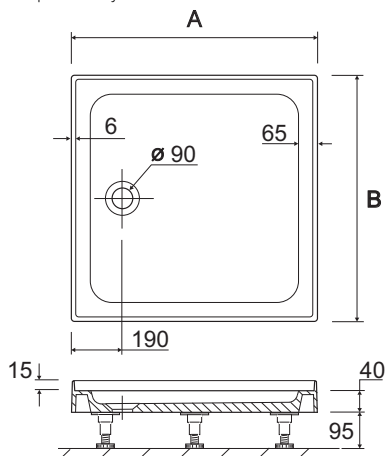
**Twyford**  
Geberit Group

# TWYFORD TRAYS - SQUARE UPSTAND

simple, stylish, low profile  
legs & panel kit & waste to be ordered separately



Square upstand tray



## TO SPECIFY/ORDER:

Please use the product reference shown below.

### SQUARE - 4 UPSTAND SHOWER TRAY

760 x 760mm	TR6211WH
800 x 800mm	TR6221WH
900 x 900mm	TR6231WH

### ACCESSORIES

Standard legset & panel kit (for trays up to 1200mm)	TR6012WH
---	----------

### MATERIAL

Tray: 2/2.5mm acrylic capped ABS, reinforced with limestone filled polyconcrete.

Panel: 2mm gloss UPVC (Unplasticized polyvinyl chloride).

### COLOURS

White WH.

### NOTE

All trays can be installed flat to floor, or used in conjunction with legset & panel kit (to be ordered separately).

Part Number	Description	A	B
TR6211WH	760 x 760 4 Upstand Tray	770	770
TR6221WH	800 x 800 4 Upstand Tray	810	810
TR6231WH	900 x 900 4 Upstand Tray	910	910

All measurements shown are in millimetres.  
Drawing sizes are not to scale.



Hotels



Healthcare



Education



Commercial



Residential

# Twyford

Geberit Group

120

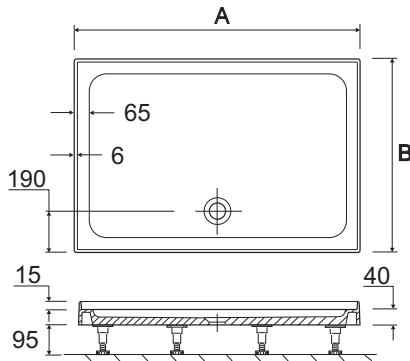


# TWYFORD TRAYS - RECTANGLE UPSTAND

simple, stylish, low profile  
legs & panel kit & waste to be ordered separately



Rectangle upstand tray



## TO SPECIFY/ORDER:

Please use the product reference shown below.

### RECTANGLE - 4 UPSTAND SHOWER TRAY

900 x 760mm	TR6431WH
1000 x 760mm	TR6441WH
1000 x 800mm	TR6442WH
1200 x 760mm	TR6461WH
1200 x 800mm	TR6462WH
*1400 x 900mm	TR6481WH
*1700 x 750mm	TR6401WH

### ACCESSORIES

Standard legset & panel kit  
(for trays up to 1200mm) **TR6012WH**

Extension legset & panel kit  
(for trays over 1200mm) **TR6013WH**

### MATERIAL

Tray: 2/2.5mm acrylic capped ABS, reinforced with limestone filled polyconcrete.

Panel: 2mm gloss UPVC (Unplasticized polyvinyl chloride).

### COLOURS

White WH.

### NOTE

All trays can be installed flat to floor, or used in conjunction with legset & panel kit (to be ordered separately).

\*If installing with legs & panels, BOTH a standard leg/panel kit AND an extension leg/panel kit must be ordered.

Part Number	Description	A	B
TR6431WH	900 x 760 4 Upsatnd Tray	910	770
TR6441WH	1000 x 760 4 Upstand Tray	1010	770
TR6442WH	1000 x 800 4 Upstand Tray	1010	810
TR6461WH	1200 x 760 4 Upstand Tray	1210	770
TR6462WH	1200 x 800 4 Upstand Tray	1210	810
TR6481WH	1400 x 900 4 Upstand Tray	1410	910
TR6401WH	1700 x 750 4 Upstand Tray	1710	760

All measurements shown are in millimetres.  
Drawing sizes are not to scale.



Hotels



Healthcare



Education



Commercial



Residential

**Twyford**  
Geberit Group

# TWYFORD TRAYS - QUADRANT UPSTAND

simple, stylish, low profile  
legs & panel kit & waste to be ordered separately



Quadrant upstand tray

#### TO SPECIFY/ORDER:

Please use the product reference shown below.

#### QUADRANT - 2 UPSTAND SHOWER TRAY

800mm **TR6621WH**

900mm **TR6631WH**

#### ACCESSORIES

Quadrant legset & panel kit **TR6011WH**

#### MATERIAL

Tray: 2/2.5mm acrylic capped ABS, reinforced with limestone filled polyconcrete.

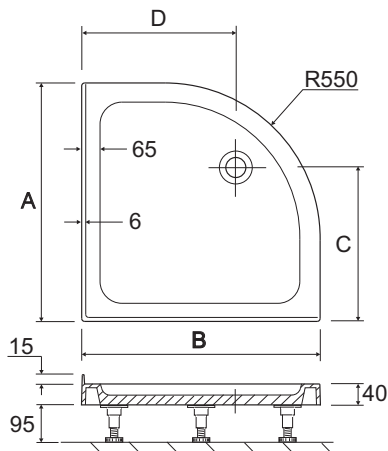
Panel: 2mm gloss UPVC (Unplasticized polyvinyl chloride).

#### COLOURS

White WH.

#### NOTE

All trays can be installed flat to floor, or used in conjunction with legset & panel kit (to be ordered separately).



Part Number	Description	A	B	C	D
TR6621WH	800 x 800 2 Upstand Tray	810	810	500	500
TR6631WH	900 x 900 2 Upstand Tray	910	910	600	600

All measurements shown are in millimetres.  
Drawing sizes are not to scale.



Hotels



Healthcare



Education



Commercial



Residential

**Twyford**  
Geberit Group

# TWYFORD TRAY ACCESSORIES

all the products below can be used in conjunction with Twyford Trays



Upstand/seal kit

## FLEXIBLE UPSTAND/SEAL KIT

2800mm long

TR6014WH

## 2.8 METRE FLEXI SEAL STRIP...

- Transforms any flat top tray to a tiling upstand option.
- The professional solution for a watertight shower tray and bath.



Waste pipe

## FLEXIBLE WASTE PIPE

1200mm long

TR6015WH

## EXTENDABLE FLEXI WASTE PIPE...

- Extends up to approx 1000mm
- Reduces plumbing installation time
- Tested to 1 bar pressure



Legset and panel kits: TR6012WH, TR6013WH & TR6011WH

## LEGSET & PANEL KITS

Standard legset & panel kit  
(for trays up to 1200mm)

TR6012WH

Extension legset & panel kit  
(for trays over 1200mm)

TR6013WH

Quadrant legset & panel kit

TR6011WH

All measurements shown are in millimetres.  
Drawing sizes are not to scale.



Hotels



Healthcare



Education



Commercial



Residential

# Twyford

Geberit Group

123

# URINALS



# CAMDEN

shallow open bowl design with water guide channels  
exposed or concealed cistern and flushpipes



Concealed

Exposed

## TO SPECIFY/ORDER:

Please use the product reference shown below.

### URINAL

350 x 500 x 330mm  
Wall hangers

**VC7003WH**  
**SR5307XX**

### FLUSHPIPES

Exposed (univ) flushpipes and spreaders:

1 person **SS6051SS**  
2 person **SS6052SS**  
3 person **SS6053SS**

Concealed (univ) flushpipes and spreaders:

1 person **SS6251SS**  
2 person **SS6252SS**  
3 person **SS6253SS**

### AUTO CISTERN INCLUDING FIXINGS

No cover,

4.5L (single bowl) - VC

**CX8711WH**

9L (2/3 bowls) - VC

**CX8712WH**

9L (2/3 bowls) - Plastic

**CX9122XX**

### DIVISION

Division

**VC7051WH**

### OUTLET GRATING

Outlet grating, 1 1/2"

**WF9370XX**

### TRAP

Please refer to traps.

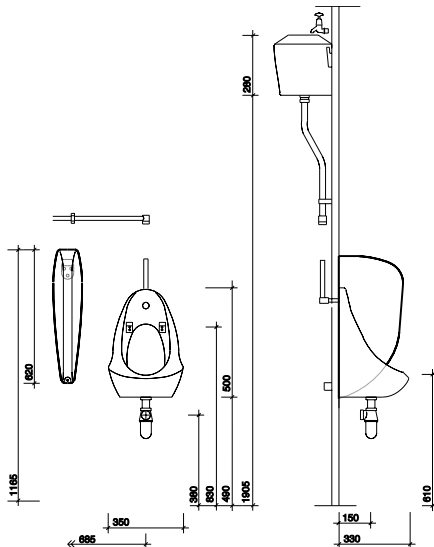
### MATERIAL

Vitreous china.

Stainless steel (flushpipe & spreaders)

### COLOUR

White WH.



All measurements shown are in millimetres.  
Drawing sizes are not to scale.



Hotels



Education



Commercial

# Twyford

Geberit Group

125

# CLIFTON - WATERLESS

thoroughly hygienic and economically unbeatable  
compact design with deep bowl  
odourwise™ waterless system - no chemicals, no electricity



Waterless

#### TO SPECIFY/ORDER:

Please use the product reference shown below.

#### WATERLESS URINAL

305 x 445 x 375mm

Wall hangers

VC7502WH

SR5307XX

#### ODOURWISE

Odourwise installation pack:

White 1.5" BSP (62mm flange)

Chrome 1.5" BSP (62mm flange)

TW6840WH

TW6840CP

Odourwise replacement cartridge:

White (pack 10)

Chrome (pack 10)

TF6800WH

TF6800CP

Odourwise misc items:

Replacement valves (pack 2)

Cleaner satchets (pack 5)

Spray bottle (each)

TF6810XX

TF6820XX

TF6830XX

#### DIVISION

Division

VC7051WH

#### APPROVALS

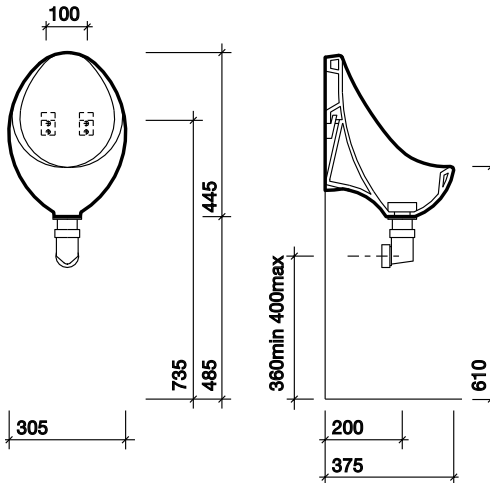
BREEAM compliant. (Can help towards 3rd credit).

#### MATERIAL

Vitreous china.

#### COLOUR

White WH.



All measurements shown are in millimetres.  
Drawing sizes are not to scale.

 Odourwise™



Hotels



Education



Commercial

**Twyford**

Geberit Group

126

# CLIFTON

exposed or concealed cistern and flushpipes  
compact design with deep bowl



Exposed

Concealed

## TO SPECIFY/ORDER:

Please use the product reference shown below.

### URINAL

305 x 445 x 375mm  
Wall hangers

**VC7002WH**  
**SR5307XX**

### FLUSHPIPES

Exposed (univ) flushpipes and spreaders:

1 person **SS6051SS**  
2 person **SS6052SS**  
3 person **SS6053SS**

Concealed (univ) flushpipes and spreaders:

1 person **SS6251SS**  
2 person **SS6252SS**  
3 person **SS6253SS**

### AUTO CISTERN INCLUDING FIXINGS

No cover,

4.5L (single bowl) - VC **CX8711WH**

9L (2/3 bowls) - VC **CX8712WH**

9L (2/3 bowls) - Plastic **CX9122XX**

### DIVISION

Division

**VC7051WH**

### OUTLET GRATING

Outlet grating, 1 1/2"

**WF9370XX**

### TRAP

Please refer to traps.

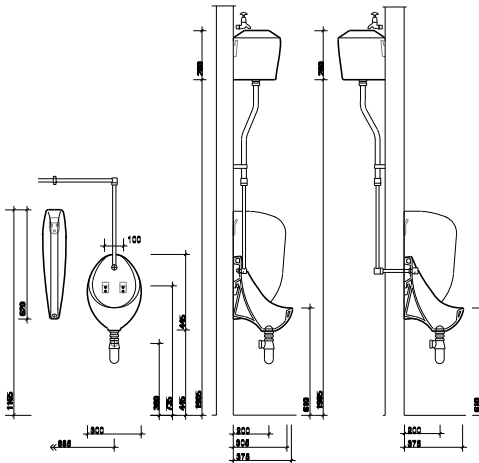
### MATERIAL

Vitreous china.

Stainless steel flushpipe and spreaders.

### COLOUR

White WH.



All measurements shown are in millimetres.  
Drawing sizes are not to scale.



Hotels



Education



Commercial

# Twyford

Geberit Group

127

# CLIFTON PACKS

exposed cistern and flushpipes  
compact design with deep bowl



2 persons

## TO SPECIFY/ORDER:

Please use the product reference shown below.

### URINAL PACKS

1 person, exposed **PK9604WH**  
2 persons, exposed **PK9605WH**

### COMPRISING COMPONENTS

1 person:

Clifton urinal x 1  
Wall hangers x 1  
Outlet grating 1.5" x 1  
Exposed flushpipes - 1 person x 1  
Auto cistern 4.5 litre x 1

2 persons:

Clifton urinal x 2  
Wall hangers x 2  
Outlet grating 1.5" x 2  
Exposed flushpipes - 2 persons x 1  
Auto cistern 9 litre x 1

### DIVISION

Division **VC7051WH**

### TRAP

Please refer to traps.

### MATERIAL

Vitreous china.  
Stainless steel flushpipe and spreaders.

### COLOUR

White WH.

All measurements shown are in millimetres.  
Drawing sizes are not to scale.



Hotels



Education



Commercial

**Twyford**  
Geberit Group



# SPECTRUM

fully concealed cistern, flushpipes and waste pipes  
designed for panel faced ducts  
anti-vandal



Concealed

#### TO SPECIFY/ORDER:

Please use the product reference shown below.

#### URINAL

360 x 560 x 330mm

**VC7004WH**

#### FLUSHPIPES

Concealed (univ) flushpipes and spreaders:

1 person

**SS6251SS**

2 person

**SS6252SS**

#### AUTO CISTERN INCLUDING FIXINGS

No cover,

4.5L (single bowl) - VC

**CX8711WH**

9L (2/3 bowls) - VC

**CX8712WH**

9L (2/3 bowls) - Plastic

**CX9122XX**

Division

**VC7051WH**

#### URINAL FIXING KIT

Fixing kit including bracket and  
plastic waste/grating

**SR8096XX**

#### APPROVALS

HBN 00-10 C, code URH

#### MATERIAL

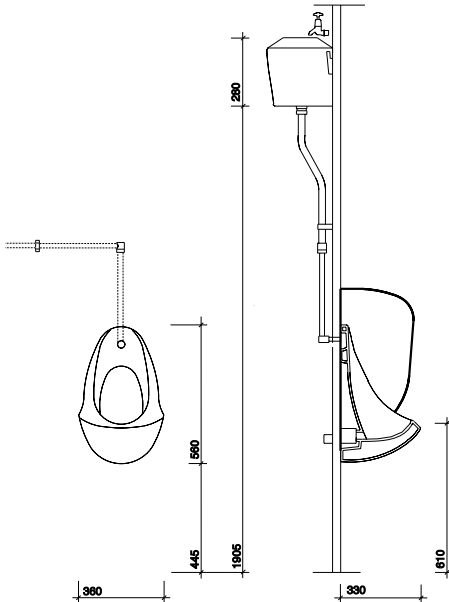
Vitreous china.

#### COLOUR

White WH.

#### FIXINGS

Bowl fitted on concealed hangers onto panels  
up to 20mm thick.



All measurements shown are in millimetres.  
Drawing sizes are not to scale.



Hotels



Healthcare



Education



Commercial

# Twyford

Geberit Group

129

# URINAL DIVISION

For use with all Twyford urinals.



Urinal division

#### TO SPECIFY/ORDER:

Please use the product reference shown below.

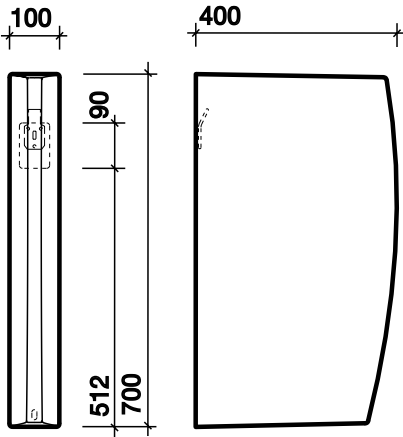
Urinal division, including fixings **VC7051WH**

#### MATERIAL

Vitreous china.

#### COLOURS

White WH.



All measurements shown are in millimetres.  
Drawing sizes are not to scale.



Hotels



Education



Commercial

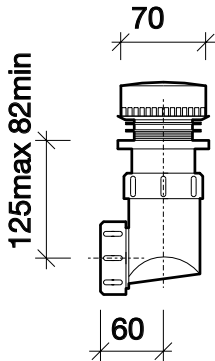
**Twyford**  
Geberit Group

# WATERLESS SYSTEMS

complete & hygienic solutions  
for reducing water usage, odours and costs  
odourwise™ waterless system - no chemicals, no electricity



Odourwise Installation Pack - Chrome



#### TO SPECIFY/ORDER:

Please use the product reference shown below.

#### ODOURWISE

Odourwise installation packs, for use with waterless urinals.

#### FOR USE WITH CLIFTON WATERLESS URINAL:

White 1.5" BSP (62mm flange) **TW6840WH**  
Chrome 1.5" BSP (62mm flange) **TW6840CP**

#### FOR USE WITH CENTAURUS WATERLESS URINALS:

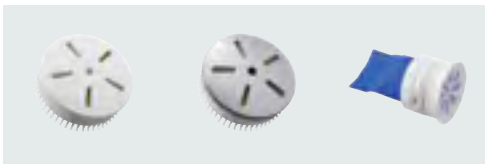
White 1.5" BSP (75mm flange) **TW6850WH**  
Chrome 1.5" BSP (75mm flange) **TW6850CP**

#### INSTALLATION PACKS CONTAIN:

Trap with flange  
Flexi connection pipe  
Removal tool (not shown in image)  
Cartridge  
Spray bottle  
Cleaner sachets (pack of 5)

#### APPROVALS:

BREEAM compliant (helps toward 3rd credit).



TF6800WH  
White cartridge

TF6800CP  
Chrome cartridge

TF6810XX  
Valve

#### REPLACEMENTS AVAILABLE TO ORDER

#### SEPARATELY:

Odourwise cartridge:  
White (pack 10) **TF6800WH**  
Chrome (pack 10) **TF6800CP**

Replacement valves (pack 2) **TF6810XX**  
Cleaner sachets (pack 5) **TF6820XX**  
Spray bottle (each) **TF6830XX**

All measurements shown are in millimetres.  
Drawing sizes are not to scale.

Odourwise™



Hotels



Education



Commercial

**Twyford**  
Geberit Group

# AUTOMATIC CISTERNS

flushing cycle controlled by rate of water refill  
concealed fixings



## TO SPECIFY/ORDER:

Please use the product reference shown below.

## AUTO CISTERN INCLUDING FIXINGS

No cover,

4.5L (single bowl) - VC

**CX8711WH**

9L (2/3 bowls) - VC

**CX8712WH**

14L (4/5 bowls) - VC

**CX8713WH**

9L (2/3 bowls) - Plastic

**CX9122XX**

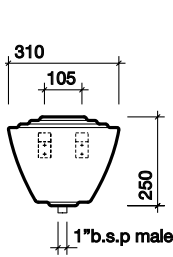
## MATERIAL

Vitreous china or Plastic.

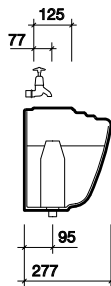
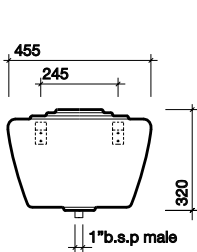
## COLOURS

White WH.

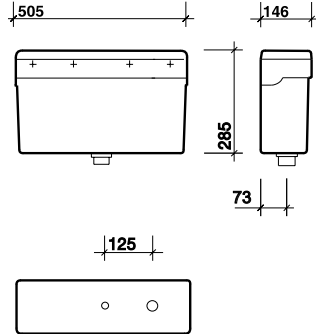
Automatic cisterns (VC illustrated)



VC - 4.5 LITRE CISTERNS



VC - 9 AND 14 LITRE CISTERNS



PLASTIC - ALL SIZES.

All measurements shown are in millimetres.  
Drawing sizes are not to scale.



Hotels



Healthcare



Education



Commercial

# Twyford

Geberit Group

# WASTES

## TO SPECIFY/ORDER:

Please use the product reference shown below.



Outlet grating

### OUTLET GRATING

1 1/2" outlet grating

WF9370XX

### NOTE

Suitable for camden and clifton urinal bowls.

### FINISHES

White plastics.

### COLOURS

White XX.

All measurements shown are in millimetres.  
Drawing sizes are not to scale.

For sector applications please refer to urinal.

**Twyford**  
Geberit Group

# FIRECLAY



# BELFAST SINKS

easy clean stain-resistant glazed surface  
designed to withstand heavy use



Belfast sink

#### TO SPECIFY/ORDER:

Please use the product reference shown below.

#### SINK

a b c  
610 x 455 x 255mm

**FC1271WH**

#### FIXINGS (SEE BELOW TABLE)

- (a) Build-in brackets
- (b) Screw to wall brackets
- (c) Legs and bearers

#### TAPS & MIXERS

Refer to taps & mixers.

#### MATERIAL

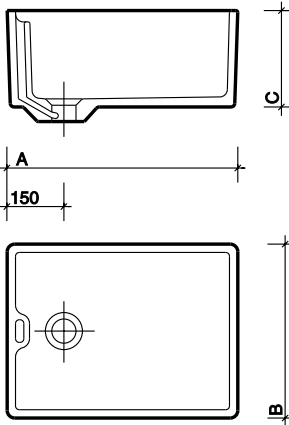
Enamelled fireclay.

#### COLOUR

White WH.

#### NOTE

Build-in brackets should be used on masonry walls. Screw to wall brackets should be used on adequate timber frame walls.



Sink pattern	Build in brackets specify number	Screw to wall brackets specify number	Legs and bearers specify number
FC1211WH	SR1332XX	SR1340XX	SR3046XX
FC1271WH	SR1333XX	SR1342XX	SR3044XX

All measurements shown are in millimetres.  
Drawing sizes are not to scale.



Hotels



Education



Commercial



Residential

# Twyford

Geberit Group

# CLEANER'S SINKS

easy clean stain-resistant glazed surface  
designed to withstand heavy use  
stainless steel hinged bucket grating



High back cleaner's sink

Cleaner's sink

## TO SPECIFY/ORDER:

Please use the product reference shown below.

### SINK

Cleaner's sink 465 x 400mm,  
sink with grating

**FC1034WH**

High back sink 470 x 400mm  
with 310mm high splash back  
and grating

**FC1044WH**

### FIXINGS

Legs and supports  
Build-in brackets, painted (pair)

**SR3048XX**

**SR1331XX**

### RECOMMENDED TAPS & MIXERS

1/2" bib taps cross head,  
back inlet, pair

**SF2302CP**

1/2" bib taps extension tube/wall plate  
190mm projection, pair

**SF2702CP**

For alternative taps please see taps & mixers.

### MATERIAL

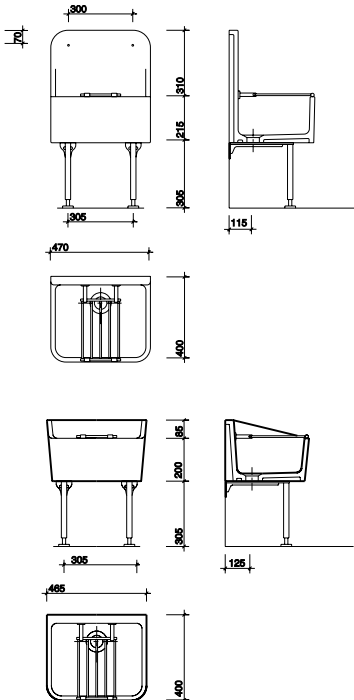
Enamelled fireclay.  
Stainless steel grating.

### COLOUR

White WH.

### NOTE

Screw to wall brackets are not suitable to  
support this fixture. Build-in brackets can  
only be used when fixing to masonry walls.



All measurements shown are in millimetres.  
Drawing sizes are not to scale.



Hotels



Healthcare



Education



Commercial

**Twyford**  
Geberit Group



# WASHING TROUGH

multi purpose washing trough  
easy clean, stain resistant, designed to withstand heavy use



Washing trough

## TO SPECIFY/ORDER:

Please use the product reference shown below.

### WASHING TROUGH

1000 x 390 x 200mm  
Brackets (pair)

**FC2350WH**  
**SR1350XX**

### RECOMMENDED TAPS & MIXERS

1/2" bib taps lever action  
Back inlet, pair

**SF2301CP**

1/2" bib taps extension tube/wall plate  
150mm projection, pair

**SF2701CP**

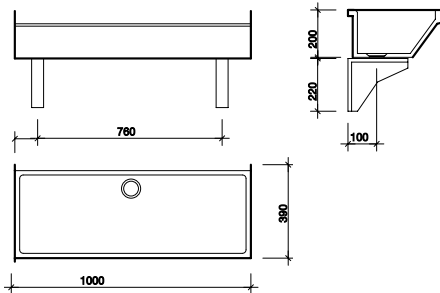
For alternative taps please see taps & mixers.

### MATERIAL

Enamelled fireclay.

### COLOURS

White WH.



All measurements shown are in millimetres.  
Drawing sizes are not to scale.



Education



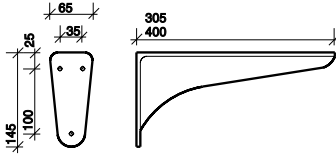
Commercial

**Twyford**  
Geberit Group

# GENERAL FITTINGS

## TO SPECIFY/ORDER:

Please use the product reference shown below.



Screw-to-wall bracket

### BRACKET, SCREW-TO-WALL

305mm  
400mm

SR1340XX  
SR1342XX

### MATERIAL

Cast iron.

### FIXINGS

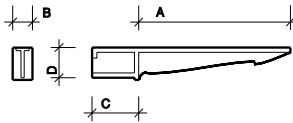
Screwed to wall. Use 2½" x no. 12 countersunk woodscrews (not provided).

### FINISH

Plain painted.

### NOTE

Sinks up to 405mm projection use 305mm bracket.  
Sinks of 455mm projection use 400mm bracket.



Build-in bracket

A	B	C	D
305	35	87	57
350	28	100	48
400	29	105	50

### BUILD-IN BRACKET

305mm  
350mm  
400mm

SR1331XX  
SR1332XX  
SR1333XX

### MATERIAL

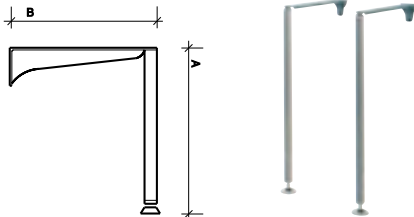
Cast iron.

### FINISH

Plain painted.

### NOTE

Cleaners sink use 305mm brackets.  
Sinks up to 405mm projection use 350mm bracket.  
Sinks of 455mm projection use 400mm bracket.



Ref No	A	B
SR3044XX	635	405
SR3046XX	685	330
SR3048XX	305	300

### LEGS AND STAYS

### MATERIAL

Tubular steel legs. Cast iron bearers.

### FINISH

Plastics coated leg with painted bearers.

### FIXING

Bearers screwed to wall, legs screwed to floor.

### NOTE

Legs have adjustable height feet to compensate for uneven floors.

All measurements shown are in millimetres.  
Drawing sizes are not to scale.

For sector applications please refer to individual product pages.

**Twyford**  
Geberit Group

# STAINLESS STEEL

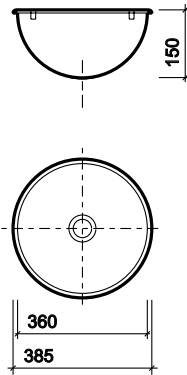


# INSET VANITY BASIN

ideal for use with vanity units  
easy to clean



Inset washbowl 360mm



## TO SPECIFY/ORDER:

Please use the product reference shown below.

## INSET WASH BOWL

360mm diameter, no tap holes, no overflow  
high polish finish, including waste **PS8503SS**

## TAPS & MIXERS

Refer to taps & mixers

## MATERIAL

Stainless steel type 304 to EN 1 4401 or SS2333,  
AFNOR Z 6 CN 18-09, BS 304S31.  
0.9mm steel thickness.

## COLOUR

Stainless steel. Polished inside and outside.

All measurements shown are in millimetres.  
Drawing sizes are not to scale.



Hotels



Healthcare



Education



Commercial

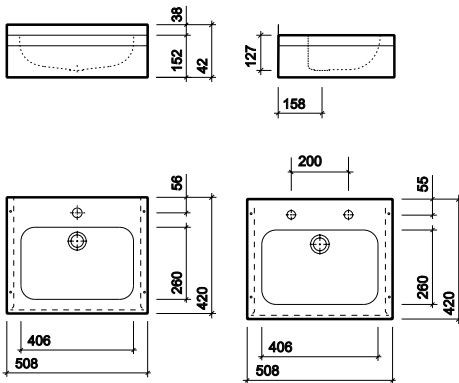
**Twyford**  
Geberit Group

# WALL-HUNG BASIN 500

wall mounted washbasin supplied on apron support



Wall-hung basin 500 with apron



## TO SPECIFY/ORDER:

Please use the product reference shown below.

## WASH HAND BASIN

Wall-hung basin with apron including grid waste and apron support:

508 x 420mm x 127mm, 1 centre tap hole,  
no overflow, satin polish finish **PS4032SS**

508 x 420mm x 127mm, 2 tap holes,  
no overflow, satin polish finish **PS4033SS**

## TAPS & MIXERS

Refer to taps & mixers

## MATERIAL

Stainless steel type 304 to EN 1 4401  
or SS2333, AFNOR Z 6 CN 18-09, BS 304S31.  
0.9mm steel thickness.

## COLOUR

Stainless steel.

## FIXINGS

Wall fixings (not supplied).

All measurements shown are in millimetres.  
Drawing sizes are not to scale.



Hotels



Healthcare



Education



Commercial

# Twyford

Geberit Group

# INSET VANITY BOWL

ideal for use with vanity units  
easy to clean



Inset washbowl 406mm

## TO SPECIFY/ORDER:

Please use the product reference shown below.

## INSET BOWLS

Inset bowls, satin polish finish, 2 tap holes,  
with overflow, waste and fixing clips:  
406 x 260 X 127mm

**PS8701SS**

## TAPS & MIXERS

Refer to taps & mixers

## MATERIAL

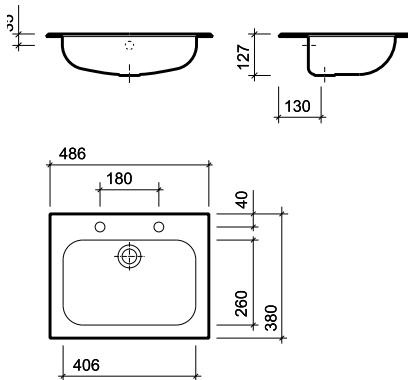
Stainless steel type 304 to EN 1 4401  
or SS2333, AFNOR Z 6 CN 18-09, BS 304S31.  
0.9mm steel thickness.

## COLOUR

Stainless steel.

## FIXINGS

Fixing clips (supplied).



All measurements shown are in millimetres.  
Drawing sizes are not to scale.



Hotels



Healthcare



Education



Commercial

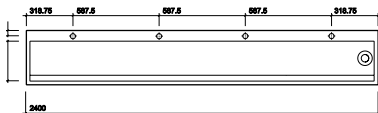
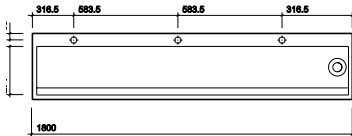
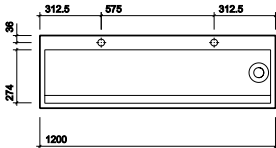
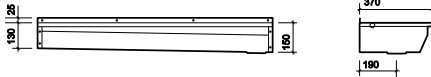
**Twyford**  
Geberit Group

# WASHING TROUGH

ideal for schools



Washing trough, 2 person, 2 tap holes



## TO SPECIFY/ORDER:

Please use the product reference shown below.

## WASHING TROUGH

Washing trough, no overflow, 1.5" waste, satin polish finish:

1200 x 370mm, LH outlet, 2psn, 2TH **PS9311SS**

1200 x 370mm, RH outlet, 2psn, 2TH **PS9312SS**

1800 x 370mm, LH outlet, 3psn, 3TH **PS9313SS**

1800 x 370mm, RH outlet, 3psn, 3TH **PS9318SS**

2400 x 370mm, LH outlet, 4psn, 4TH **PS9319SS**

2400 x 370mm, RH outlet, 4psn, 4TH **PS9320SS**

## LEG SUPPORTS

Leg set (pair)

**PS4064SS**

## TAPS & MIXERS

Refer to taps & mixers

## MATERIAL

Stainless steel type 304 to EN 1 4401 or SS2333, AFNOR Z 6 CN 18-09, BS 304S31. 1.2mm steel thickness.

## COLOUR

Stainless steel.

## FIXINGS

- (i) Screw to wall (fixings not supplied).
- (ii) Leg supports available

All measurements shown are in millimetres.  
Drawing sizes are not to scale.



Hotels



Education



Commercial

# Twyford

Geberit Group

143

# FLOOR STANDING BUCKET SINK

ideal for where there is a need to dispose of waste water



Floor standing bucket sink

## TO SPECIFY/ORDER:

Please use the product reference shown below.

## BUCKET SINK

648 x 508 x 890mm floor standing bucket sink, splash back, hinged grating, flushgrated waste, legset & complete with integral wall brackets

**PS4044SS**

## TAPS & MIXERS

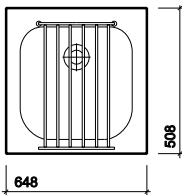
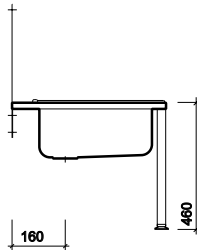
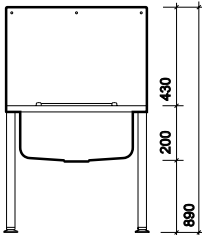
Refer to taps & mixers

## MATERIAL

Stainless steel type 304 to EN 1 4401 or SS2333, AFNOR Z 6 CN 18-09, BS 304S31. 1.5mm (Top) 0.9mm (Bowl) steel thickness.

## COLOUR

Stainless steel.



All measurements shown are in millimetres.  
Drawing sizes are not to scale.



Hotels



Healthcare



Education



Commercial

**Twyford**  
Geberit Group



# WALL-HUNG BUCKET SINK

ideal for where there is a need to dispose of waste water



Wall-hung bucket sink

## TO SPECIFY/ORDER:

Please use the product reference shown below.

## SINK

500 x 400 x 460mm wall-hung bucket sink, splashback, hinged grating and waste

**PS5044SS**

## TAPS & MIXERS

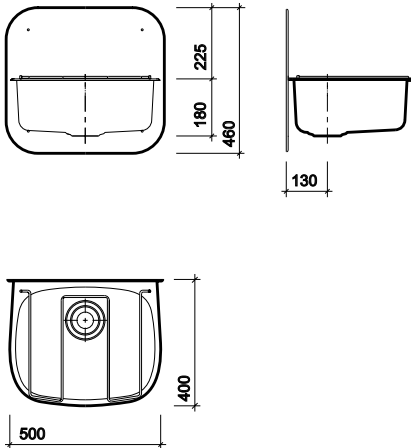
Refer to taps & mixers

## MATERIAL

Stainless steel type 304 to EN 1 4401 or SS2333, AFNOR Z 6 CN 18-09, BS 304S31. Steel thickness 1.2mm (splashback) 0.9mm (bowl).

## COLOUR

Stainless steel.



All measurements shown are in millimetres.  
Drawing sizes are not to scale.



Hotels



Healthcare



Education



Commercial

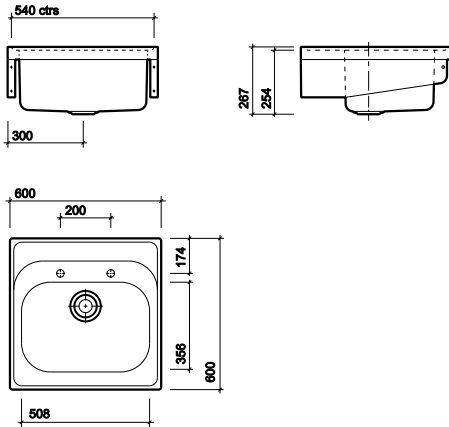
**Twyford**  
Geberit Group

# SINGLE HOSPITAL SINK

radiused easy clean internal surfaces  
underside sound deadened



Hospital sink with single bowl, no tap holes



## TO SPECIFY/ORDER:

Please use the product reference shown below.

## HOSPITAL SINK

600 x 600 x 254mm, includes waste,  
satin polish finish:

Single bowl, no tapholes SK 1 **PS9023SS**  
Single bowl, two tapholes SK 1 **PS9223SS**

## FIXINGS

Cantilever brackets (pair) **PS9018SS**  
Leg & bearer brackets (pair) **PS9019SS**

## TAPS & MIXERS

Refer to taps & mixers

## APPROVALS

HBN 00-10 C, code SK 1

## MATERIAL

Stainless steel type 304 to EN 1 4401 or  
SS2333, AFNOR Z 6 CN 18-09, BS 304S31.  
1.2mm (top) 0.9mm (bowl) steel thickness.

## COLOUR

Stainless steel.

All measurements shown are in millimetres.  
Drawing sizes are not to scale.



Healthcare



Commercial

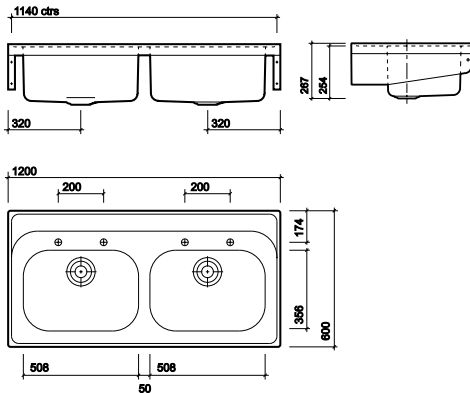
**Twyford**  
Geberit Group

# DOUBLE HOSPITAL SINKS

radiused easy clean internal surfaces  
underside sound deadened



Hospital sink with double bowl, no tap holes, cantilever bracket & legs



## TO SPECIFY/ORDER:

Please use the product reference shown below.

### HOSPITAL SINK

1200 x 600 x 254mm, includes waste, satin polish finish:

Double bowl, no tapholes SK 2 **PS9024SS**  
Double bowl, two tapholes SK 2 **PS9424SS**

### FIXINGS

Cantilever brackets (pair) **PS9018SS**  
Leg & bearer brackets (pair) **PS9019SS**

### TAPS & MIXERS

Refer to taps & mixers

### APPROVALS

HBN 00-10 C, code SK 2

### MATERIAL

Stainless steel type 304 to EN 1 4401 or SS2333, AFNOR Z 6 CN 18-09, BS 304S31. 1.2mm (top) 0.9mm (bowl) steel thickness.

### COLOUR

Stainless steel.

All measurements shown are in millimetres.  
Drawing sizes are not to scale.



Healthcare



Commercial

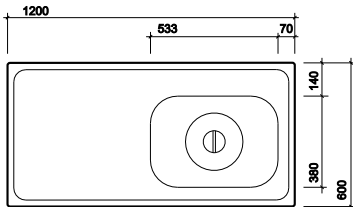
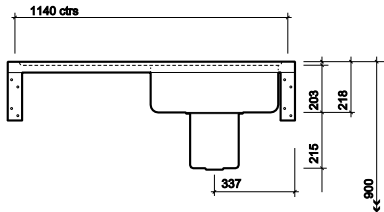
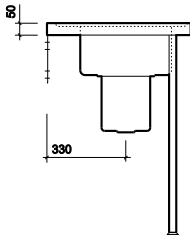
**Twyford**  
Gerbit Group

# PLASTER SINK

designed for use where casting materials are prepared and soaked



Plaster sink and worktop (left hand drainer illustrated)



All measurements shown are in millimetres.  
Drawing sizes are not to scale.

## TO SPECIFY/ORDER:

Please use the product reference shown below.

## PLASTER SINK AND WORKTOP

1200 x 600 x 418mm, satin polish finish,  
no tap holes, complete with basket lid  
and grated outlet waste:

Left hand drainer, right hand sink PS HPS9115SS

Right hand drainer, left hand sink PS HPS9215SS

## FIXINGS

Cantilever brackets (pair)

PS9018SS

Leg & bearer brackets (pair)

PS9019SS

## TAPS & MIXERS

Refer to taps & mixers

## APPROVALS

HBN 00-10 C, code PS H

## MATERIAL

Stainless steel type 304 to EN 1 4401 or SS2333,  
AFNOR Z 6 CN 18-09, BS 304S31.

1.2mm (top) 0.9mm (bowl) steel thickness.

## COLOUR

Stainless steel.



Healthcare



Commercial

Twyford

Geberit Group

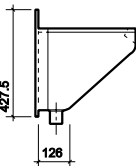
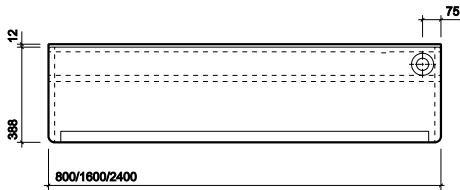
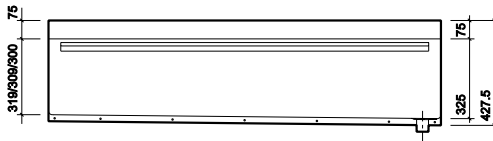
148

# SCRUB-UP TROUGHS

easy clean fully radiused internal corners



Scrub-up trough 800mm (RH outlet illustrated)



## TO SPECIFY/ORDER:

Please use the product reference shown below.

## SCRUB-UP TROUGH

800 x 400 x 427.5mm, trap shroud,  
fixing bracket, bottom outlet for waste,  
satin polish finish:  
RH outlet, SU H 1  
LH outlet, SU H 1

**PS9120SS**  
**PS9220SS**

1600 x 400 x 427.5mm, waste, trap shroud,  
fixing bracket, satin polish finish,  
bottom outlet for waste:  
Right hand outlet, SU H 2  
Left hand outlet, SU H 2

**PS9121SS**  
**PS9221SS**

2400 x 400 x 427.5mm, waste, trap shroud,  
fixing bracket, satin polish finish,  
bottom outlet for waste:  
Right hand outlet, SU H 3  
Left hand outlet, SU H 3

**PS9122SS**  
**PS9222SS**

## TAPS & MIXERS

Refer to taps & mixers

## APPROVALS

HBN 00-10 C, code SU H1/2/3

## MATERIAL

Stainless steel type 304 to EN 1 4401  
or SS2333, AFNOR Z 6 CN 18-09, BS 304S31.  
1.5mm steel thickness.

## COLOUR

Stainless steel.

## FIXINGS

Wall mounted with joggle strip brackets  
(supplied). Earthing terminal fitted.

All measurements shown are in millimetres.  
Drawing sizes are not to scale.



Healthcare

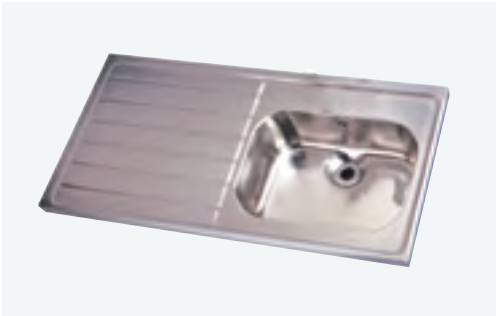


Commercial

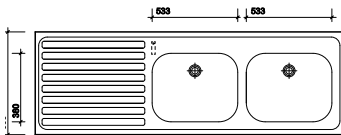
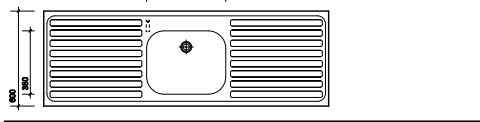
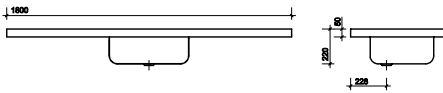
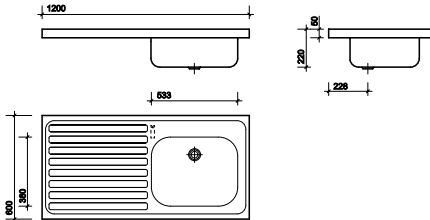
**Twyford**  
Geberit Group

# SINK(S) & DRAINER(S)

smooth radiused corners for easy cleaning  
left or right hand sink/drainer



1200mm sink and drainer (no tap, left hand drainer illustrated)



All measurements shown are in millimetres.  
Drawing sizes are not to scale.

## TO SPECIFY/ORDER:

Please use the product reference shown below.

### SINK AND DRAINER

1200 x 600 x 220mm

Single sink & single drainer, satin polish finish, waste:

2 tap RH drainer, LH sink **PS4050SS**

No tap RH drainer, LH sink ST A **PS4150SS**

2 tap LH drainer, RH sink **PS4051SS**

No tap LH drainer, RH sink ST A **PS4151SS**

1800 x 600 x 220mm

Single sink & 2 drainers, satin polish finish, waste:

2 tap central sink, LH & RH drainer **PS4052SS**

No tap central sink, LH & RH drainer ST B **PS4152SS**

1800 x 600 x 220mm

Double sink & single drainer, satin polish finish, waste:

2 tap RH drainer, LH sinks **PS4053SS**

No tap RH drainer, LH sinks ST C **PS4153SS**

2 tap LH drainer, RH sinks **PS4054SS**

No tap LH drainer, RH sinks ST C **PS4154SS**

### FIXINGS

Cantilever bracket, stainless steel:

Pair for 1200 & 1800 (single sink) **PS9018SS**

Leg supports, stainless steel:

Pair for 1200 & 1800 (single sink) **PS9019SS**

Legs set (3 off) for 1800 (double sink) **PS4063SS**

### TAPS & MIXERS

Refer to taps & mixers

### APPROVALS

HBN 00-10 C, code ST A/B/C (no tap).

### MATERIAL

Stainless steel type 304 to EN 1 4401 or SS2333,

AFNOR Z 6 CN 18-09, BS 304S31.

1.2mm (top) 0.9mm (bowl) steel thickness.

### COLOUR

Stainless steel.



Healthcare



Commercial

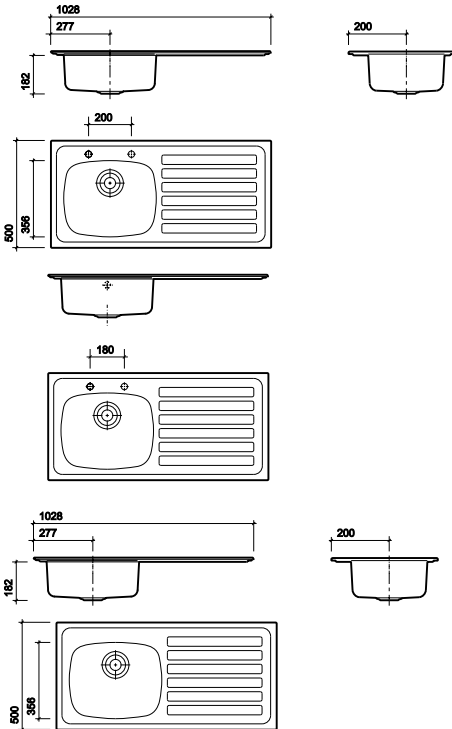
**Twyford**  
Geberit Group

# INSET SINKS

rimmed edge profile, suitable for standard sized worktops



Inset sink and drainer, no overflow (right hand drainer illustrated)



All measurements shown are in millimetres.  
Drawing sizes are not to scale.

## TO SPECIFY/ORDER:

Please use the product reference shown below.

## INSET SINK AND DRAINER

1028 x 500 x 182mm, incl. waste, satin polish finish, no overflow:

RH drainer, LH sink, 2 tap holes 0505 **PS8601SS**

LH drainer, RH sink, 2 tap holes 0505 **PS8602SS**

1028 x 500 x 182mm, incl. waste, satin polish finish, with overflow:

RH drainer, LH sink, 0 tap holes 0505 **PS8603SS**

LH drainer, RH sink, 0 tap holes 0505 **PS8604SS**

1028 x 500 x 182mm, incl. waste, satin polish finish, with overflow:

RH drainer, LH sink, 2 tap holes 0505 **PS8611SS**

LH drainer, RH sink, 2 tap holes 0505 **PS8612SS**

## TAPS & MIXERS

Refer to taps & mixers

## MATERIAL

Stainless steel type 304 to EN 1 4401  
or SS2333, AFNOR Z 6 CN 18-09, BS 304S31.  
0.9mm steel thickness.

## COLOUR

Stainless steel.

## FIXINGS

Fixing clips (supplied).



Hotels



Healthcare



Education



Commercial



Residential

# Twyford

Geberit Group

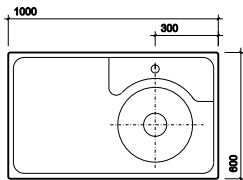
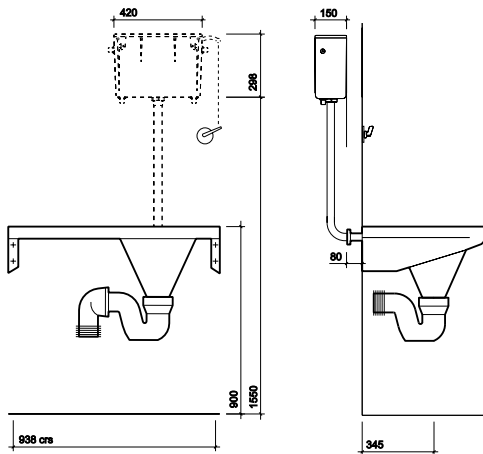
151

# DISPOSAL HOPPER

ducted or exposed cistern  
solid and liquid waste disposal unit \*DU-H with continuous flushing rim and drainer



Disposal hopper with worktop BI (LH drainer illustrated)



All measurements shown are in millimetres.  
Drawing sizes are not to scale.

## TO SPECIFY/ORDER:

Please use the product reference shown below.

### HOPPER AND WORKTOP (LEFT HAND DRAINER, RIGHT HAND HOPPER)

1000 x 600mm, hopper 110mm diam. outlet, flushpipe connectors, satin polish finish:

\*Back inlet DU H **PS8102SS**

### HOPPER AND WORKTOP (RIGHT HAND DRAINER, LEFT HAND HOPPER)

\*Back inlet DU H **PS8104SS**

### REMOVABLE OUTLET GRATING

Removable outlet grating **PS9017SS**

### FIXINGS

Cantilever brackets (pair) **PS9018SS**

Leg & bearer brackets (pair) **PS9019SS**

### BACK INLET HOPPER

Concealed cistern, complete with fittings, including chrome plated lever and flushbend, SSIO 6 litre Plastic flushpipe

**CX9560XX**  
**CF6217WH**

### APPROVALS

\*HBN 00-10 C, code DU H

### MATERIAL

Stainless steel type 304 to EN 1 4401 or SS2333, AFNOR Z 6 CN 18-09, BS 304S31. 1.5mm steel thickness.

### COLOUR

Stainless steel.



Healthcare



Commercial

**Twyford**  
Geberit Group



# COMBINED DISPOSAL HOPPER

ducted or exposed cistern  
hospital pattern combined slop hopper, sink and drainer



Disposal hopper, sink and worktop BI (LH drainer illustrated)

## TO SPECIFY/ORDER:

Please use the product reference shown below.

### HOPPER, SINK AND WORKTOP (LEFT HAND DRAINER, RIGHT HAND HOPPER)

1600 x 600mm, hopper 110mm diam. outlet,  
flushpipe connectors, waste, satin polish finish:

\*Back inlet DU HS **PS8106SS**

### HOPPER, SINK AND WORKTOP (RIGHT HAND DRAINER, LEFT HAND HOPPER)

\*Back inlet DU HS **PS8108SS**

### REMOVABLE OUTLET GRATING

Removable outlet grating **PS9017SS**

### FIXINGS

Cantilever brackets (pair) **PS9018SS**

Leg & bearer brackets (pair) **PS9019SS**

### BACK INLET HOPPER

Concealed cistern, complete with fittings,  
including chrome plated lever  
and flushbend, SSIO 6 litre

Plastic flushpipe **CX9560XX**

**CF6217WH**

### TAPS & MIXERS

Refer to taps & mixers

### APPROVALS

\*HBN 00-10 C, code DU HS

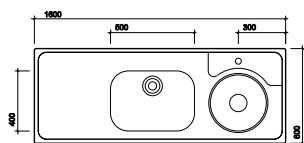
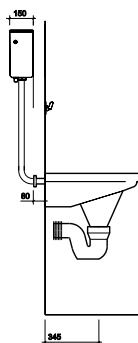
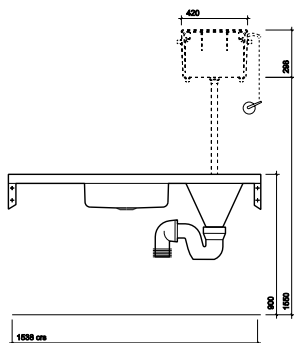
### MATERIAL

Stainless steel type 304 to EN 1 4401 or SS2333,  
AFNOR Z 6 CN 18-09, BS 304S31.

1.5mm steel thickness.

### COLOUR

Stainless steel.



All measurements shown are in millimetres.  
Drawing sizes are not to scale.



Healthcare



Commercial

# Twyford

Geberit Group

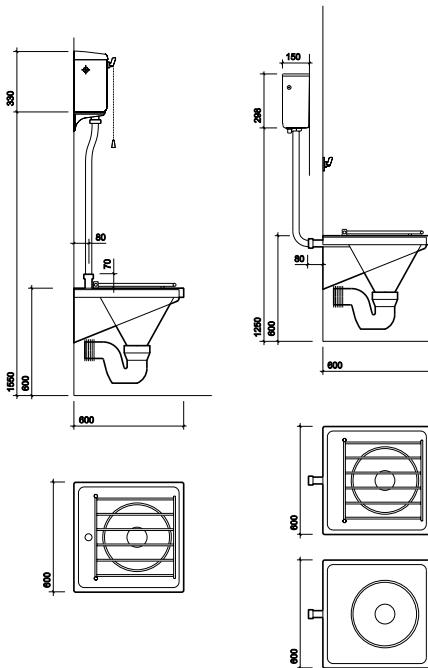
153

# WALL MOUNTED DISPOSAL HOPPER

solid and liquid waste disposal unit with continuous flushing rim and hinged bucket grating  
radiused easy clean internal surfaces



Wall mounted disposal hopper, with grating  
(back inlet illustrated)



## TO SPECIFY/ORDER:

Please use the product reference shown below.

### WALL MOUNTED DISPOSAL HOPPER

With grating, flushpipe connectors,  
satin polish finish:

600 x 600 x 300mm, back inlet **PS8110SS**

\*Without grating, flushpipe connectors,  
satin polish finish:

600 x 600 x 300mm, back inlet **PS8112SS**

### REMOVABLE OUTLET GRATING

Removable outlet grating

**PS9017SS**

### FIXINGS

Cantilever brackets (pair)

**PS9018SS**

### BACK INLET HOPPER

Concealed cistern, complete with fittings,  
including chrome plated lever  
and flushbend, SSIO 6 litre  
Plastic flushpipe

**CX9560XX**  
**CF6217WH**

### APPROVALS

\*HBN 00-10 C, code DU

### MATERIAL

Stainless steel type 304 to EN 1 4401 or SS2333,  
AFNOR Z 6 CN 18-09, BS 304S31.  
1.5mm steel thickness.

### COLOUR

Stainless steel.

All measurements shown are in millimetres.  
Drawing sizes are not to scale.



Healthcare



Commercial

**Twyford**  
Gerbit Group

# FLOOR STANDING BTW WC 500

back-to-wall WC pan, with anti vandal shroud  
duct installation only



400mm floor standing WC (Inset - with seat & cover)

## TO SPECIFY/ORDER:

Please use the product reference shown below.

### BTW WC PAN, FLOOR STANDING

360 x 580 x 400mm, HO  
satin polish finish

**PS8301SS**

360 x 580 x 400mm, HO, with seat and cover  
satin polish finish,

**PS8302SS**

Concealed cistern, complete with fittings,  
including chrome plated lever and flushbend

SSIO 6 litre

**CX9560XX**

BSIO 6 litre

**CX9561XX**

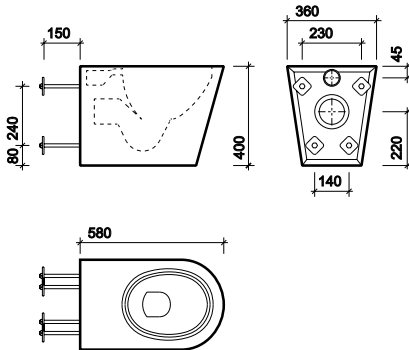
### MATERIAL

Stainless steel type 304 to EN 1 4401 or SS2333,  
AFNOR Z 6 CN 18-09, BS 304S31.

2.0mm steel thickness.

### COLOUR

Stainless steel.



All measurements shown are in millimetres.  
Drawing sizes are not to scale.



Healthcare



Education



Commercial

**Twyford**  
Geberit Group

# JANITORIAL UNIT

free standing combination of washbasin and bucket sink  
hinged grid over the sink to support the bucket



Janitorial unit

## TO SPECIFY/ORDER:

Please use the product reference shown below.

## JANITORIAL UNIT

500 x 500 x 880mm Janitorial unit,  
complete with basin, wastes (1.25" & 1.5"),  
monobloc mixer tap, leg set (4 supplied),  
joggle strip and grid

**PS8801SS**

## APPROVALS

HBN 00-10 C, code JU  
WRAS Approved

## MATERIAL

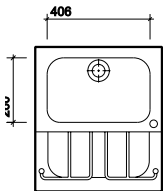
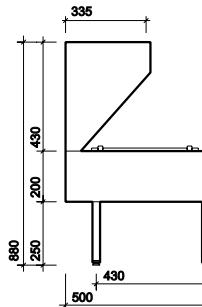
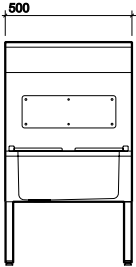
Stainless steel type 304 to EN 1 4401  
or SS2333, AFNOR Z 6 CN 18-09, BS 304S31.  
Steel thickness 1.5mm (shrouds) 0.9mm  
(bowls).

## COLOUR

Stainless steel.

## FIXINGS

Unit can either be wall mounted or  
floor mounted using 2 or 4 legs.



All measurements shown are in millimetres.  
Drawing sizes are not to scale.



Hotels



Healthcare



Education



Commercial

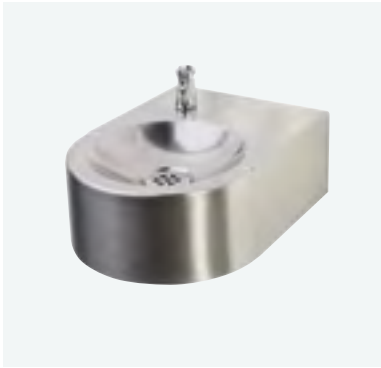
# Twyford

Geberit Group

156

# DRINKING FOUNTAIN

ideal for schools and colleges  
complete with push button water bubbler tap with protected nozzle,  
to minimise direct contact



Drinking fountain - wall-hung

## TO SPECIFY/ORDER:

Please use the product reference shown below.

## DRINKING FOUNTAIN

257 x 350 x 125mm, drinking fountain complete with:

Water bubbler tap, waste, joggle strip and earthing lug, satin polish finish **PS8001SS**

## APPROVALS

WRAS Approved.

## MATERIAL

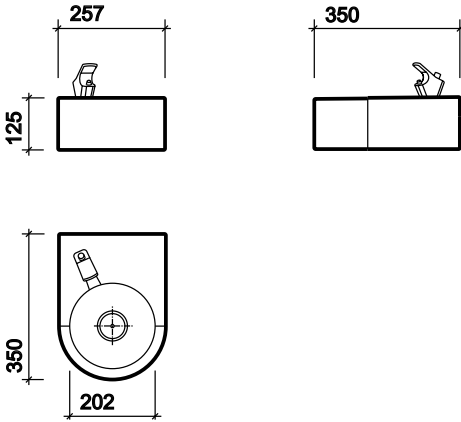
Stainless steel type 304 to EN 1 4401 or SS2333, AFNOR Z 6 CN 18-09, BS 304S31. 1.5mm steel thickness.

## COLOUR

Stainless steel.

## FIXINGS

Mounted to wall with joggle strip (supplied).



PS8001SS, PS8002SS & PS8003SS OPERATING PRESSURES			
Jet position (bar)	1	2	3
All open (l/min)	1.8	3.5	4.8
Half open (l/min)	1.2	2.6	3.4

Operating pressure between 0.2 to 3 bar.

All measurements shown are in millimetres.  
Drawing sizes are not to scale.



Hotels



Healthcare



Education



Commercial

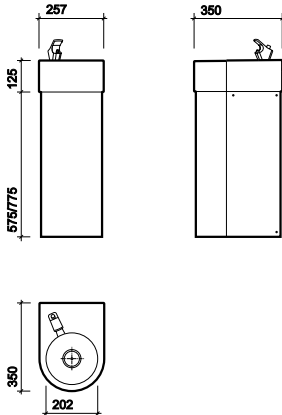
**Twyford**  
Geberit Group

# DRINKING FOUNTAIN

ideal for schools and colleges  
pedestal mounted, complete with push button water bubbler tap with protected nozzle,  
to minimise direct contact



Drinking fountain - floor mounted  
(junior illustrated)



## TO SPECIFY/ORDER:

Please use the product reference shown below.

## DRINKING FOUNTAIN

Drinking fountain complete with  
Water bubbler tap, shroud,  
waste, joggle strip and earthing lug,  
satin polish finish:

257 x 350 x 575mm, - junior

**PS8002SS**

257 x 350 x 775mm, - adult

**PS8003SS**

## APPROVALS

WRAS Approved.

## MATERIAL

Stainless steel type 304 to EN 1 4401  
or SS2333, AFNOR Z 6 CN 18-09, BS 304S31.  
1.5mm steel thickness.

## COLOUR

Stainless steel.

## FIXINGS

Mounted to wall with joggle strip (supplied).



PS8001SS, PS8002SS & PS8003SS OPERATING PRESSURES			
Jet position (bar)	1	2	3
All open (l/min)	1.8	3.5	4.8
Half open (l/min)	1.2	2.6	3.4

Operating pressure between 0.2 to 3 bar.

All measurements shown are in millimetres.  
Drawing sizes are not to scale.



Hotels



Healthcare



Education



Commercial

# Twyford

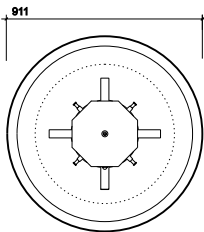
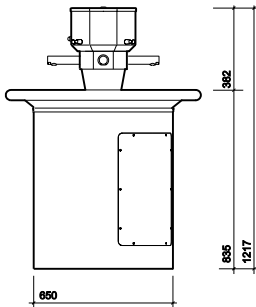
Geberit Group

# CIRCULAR WASHSTATION

4 to 6 person circular washstation, with radiused outer edge mounted on pedestal base with access panel



Circular washstation



## TO SPECIFY/ORDER:

Please use the product reference shown below.

## CIRCULAR WASHSTATION

Circular washstation, complete with:  
Sensor taps, 1.5" waste outlet, satin polish finish.  
(Centre column contains plumbing to sensor  
taps, soap tank with valves):

911 dia x 1217mm

**PS8004SS**

## APPROVALS

WRAS Approved.

## MATERIAL

Stainless steel type 304 to EN 1 4401 or SS2333,  
AFNOR Z 6 CN 18-09, BS 304S31.  
1.5mm steel thickness.

## COLOUR

Stainless steel.

## FIXINGS

Floor mounted with fixings (not supplied).

## NOTE

Operating pressure 0.5 to 10 bar.



All measurements shown are in millimetres.  
Drawing sizes are not to scale.



Hotels



Healthcare



Education



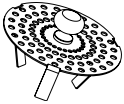
Commercial

**Twyford**  
Geberit Group

# STAINLESS STEEL FITTINGS

## TO SPECIFY/ORDER:

Please use the product reference shown below.



### REMOVABLE OUTLET GRATING

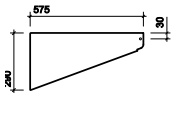
Removable outlet grating

PS9017SS

### MATERIAL

Stainless steel type 304 to EN 1 4401 or SS2333, AFNOR Z 6 CN 18-09, BS 304S31. 1.5mm steel thickness.

Removable outlet grating



### CANTILEVER BRACKET

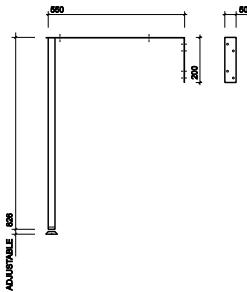
Cantilever brackets (pair)

PS9018SS

### MATERIAL

Stainless steel type 304 to EN 1 4401 or SS2333, AFNOR Z 6 CN 18-09, BS 304S31. 1.5mm steel thickness.

Cantilever brackets (pair)



### LEG & BEARER BRACKET

Leg & bearer brackets (pair)

PS9019SS

### MATERIAL

Stainless steel type 304 to EN 1 4401 or SS2333, AFNOR Z 6 CN 18-09, BS 304S31. 3mm steel thickness.

Leg & bearer brackets (pair)

All measurements shown are in millimetres.  
Drawing sizes are not to scale.

For sector applications please refer to individual product page.

**Twyford**  
Geberit Group



# LESS ABLE



# DOC.M VALUE PACK

thermostatically protected via external blending valve  
available with white and blue rails and seats



Doc.M value pack with white grab rails & seat .  
**LEFT HAND INSTALLATION SHOWN.**

## TO SPECIFY/ORDER:

Please use the product reference shown below.

## DOC.M VALUE PACK

With white grab rails and seat

**PK8185WH**

## COMPRISING COMPONENTS

- Avalon HO pan
- Doc.M value cistern, fittings & standard lever - 6 litre flush
- Doc.M seat ring, stainless steel hinge
- Alcona 360 Handrinse basin, 2 tap
- Tap hole stopper for handrinse basin
- Sola single lever basin monobloc
- Mixing valve - thermostatic TMV3 (SF1037XX)
- 4 x 600mm grab rails exposed fixings
- 1 x 450mm grab rail exposed fixings
- 1x hinged support rail and toilet roll holder exposed fixings
- Pan fixings
- Cistern cover clip
- Grid Waste

## NOTE

Basin traps to be ordered separately.

The products included in the set and the layout details are in accordance with those laid down in the Building Regulations Approved Document M 2015

## APPROVALS

LABC certificate, ref: EWS1337A  
WRAS Approved  
TMV3



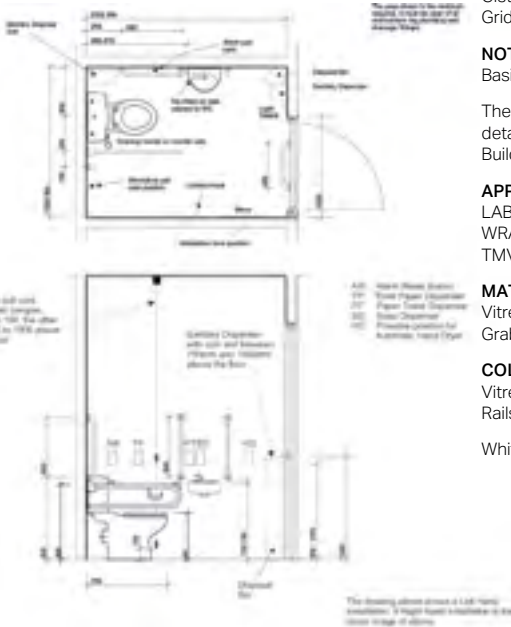
## MATERIAL

Vitreous china.  
Grab rails in powder coated steel.

## COLOURS

Vitreous china in white only.  
Rails and seat in white.

White WH (White RAL 9003, Luminance Value 76)



All measurements shown are in millimetres.  
Drawing sizes are not to scale.



Hotels



Healthcare



Education



Commercial



Less Able

# Twyford

Geberit Group

162

# DOC.M VALUE PACK

thermostatically protected via external blending valve  
available with white and blue rails and seats



Doc.M value pack with blue grab rails & seat.  
**LEFT HAND INSTALLATION SHOWN.**

## TO SPECIFY/ORDER:

Please use the product reference shown below.

## DOC.M VALUE PACK

With blue grab rails and seat

**PK8185BE**

## COMPRISING COMPONENTS

- Avalon HO pan
- Doc.M value cistern, fittings & standard lever - 6 litre flush
- Doc.M seat ring, stainless steel hinge
- Alcona 360 Handrinse basin, 2 tap
- Tap hole stopper for handrinse basin
- Sola single lever basin monobloc
- Mixing valve - thermostatic TMV3 (SF1037XX)
- 4 x 600mm grab rails exposed fixings
- 1 x 450mm grab rail exposed fixings
- 1x hinged support rail and toilet roll holder exposed fixings
- Pan fixings
- Cistern cover clip
- Grid Waste

## NOTE

Basin traps to be ordered separately.

The products included in the set and the layout details are in accordance with those laid down in the Building Regulations Approved Document M 2015

## APPROVALS

LABC certificate, ref: EWS1337A  
WRAS Approved  
TMV3



## MATERIAL

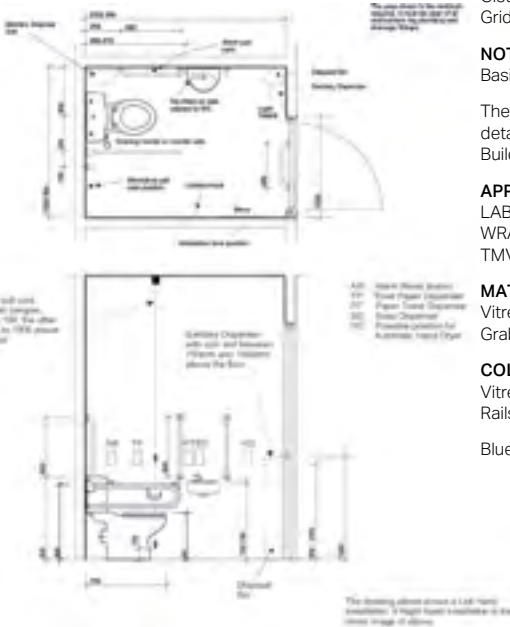
Vitreous china.  
Grab rails in powder coated steel.

## COLOURS

Vitreous china in white only.  
Rails and seat in blue.

Blue BE

(Blue RAL 5011, Luminance Value 6)



All measurements shown are in millimetres.  
Drawing sizes are not to scale.



Hotels



Healthcare



Education



Commercial



Less Able

# Twyford

Geberit Group

163





# DOC.M VALUE PACK PLUS

thermostatically protected via external blending valve



Doc.M value pack plus grey grab rails and seat.  
RIGHT HAND INSTALLATION SHOWN.

## TO SPECIFY/ORDER:

Please use the product reference shown below.

### DOC.M VALUE PACK PLUS

Left hand with grey grab rails & seat

**PK8255GY**

Right hand with grey grab rails & seat

**PK8355GY**

### COMPRISING COMPONENTS

Avalon HO pan

Doc.M value cistern, fittings & standard lever - 6 litre flush

Avalon seat ring, stainless steel bar hinge, top fix and stability buffers

Alcona 360 Handrinse basin, 1 Tap

Sequential lever action mixer tap with flexi tails

Mixing valve - thermostatic TMV3 (SF1037XX)

4 x 600mm grab rails concealed fixings

1 x 450mm grab rail concealed fixings

1x Hinged support rail and toilet roll holder concealed fixings

Pan fixings, cistern cover clip

Grid waste

### NOTE

Basin traps to be ordered separately.

The products included in the set and the layout details are in accordance with those laid down in the Building Regulations Approved Document M 2015.

### APPROVALS

LABC certificate, ref: Pending

WRAS Approved, TMV3



### MATERIAL

Vitreous china.

Grab rails in powder coated aluminium.

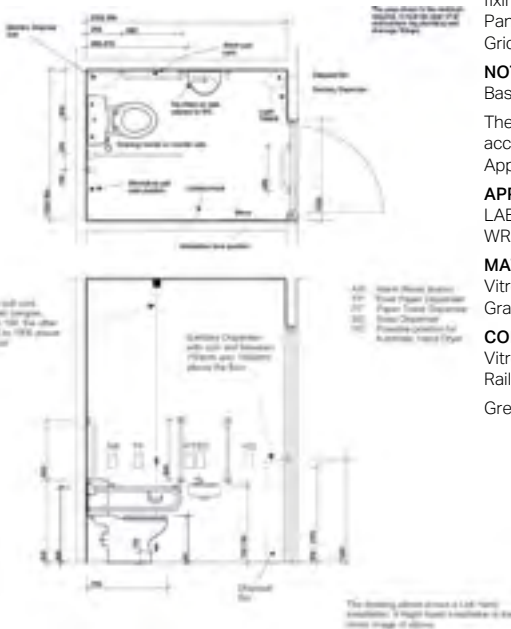
### COLOURS

Vitreous china in white only.

Rails and seat in grey.

Grey GY

(Grey RAL 7005, Luminance Value 20)



All measurements shown are in millimetres.  
Drawing sizes are not to scale.



Hotels



Healthcare



Education



Commercial



Less Able

**Twyford**  
Geberit Group

# DOC.M RIMLESS SUPER PACK

modern rimless design

4 litre flush



Doc.M rimless super pack with white grab rails & seat.  
**RIGHT HAND INSTALLATION SHOWN.**

## TO SPECIFY/ORDER:

Please use the product reference shown below.

### DOC.M RIMLESS SUPER PACK

Left hand with white grab rails & seat

**PK8256WH**

Right hand with white grab rails & seat

**PK8356WH**

### COMPRISING COMPONENTS

Avalon Rimless HO pan and fixings

Avalon Rimless cistern, fittings and spatula lever

- 4 or 6 litre flush

Avalon seat ring, stainless steel bar hinge, top fix and stability buffers

Sola square handrinse basin, 400, no overflow 1 tap

Sola thermostatic basin mixer with fixed spout and copper tails (SF1140CP)

4 x 600mm grab rails concealed fixings

1 x 450mm grab rail concealed fixings

1x Hinged support rail and toilet roll holder concealed fixings

Wall bolts (pair), Grid waste, Cistern cover clip

### NOTE

Basin traps to be ordered separately.

The products included in the set and the layout details are in accordance with those laid down in the Building Regulations Approved Document M 2015

### APPROVALS

LABC certificate, ref: EWS1337B

Pending WRAS approval



### MATERIAL

Vitreous china.

Grab rails in powder coated aluminium.

### COLOURS

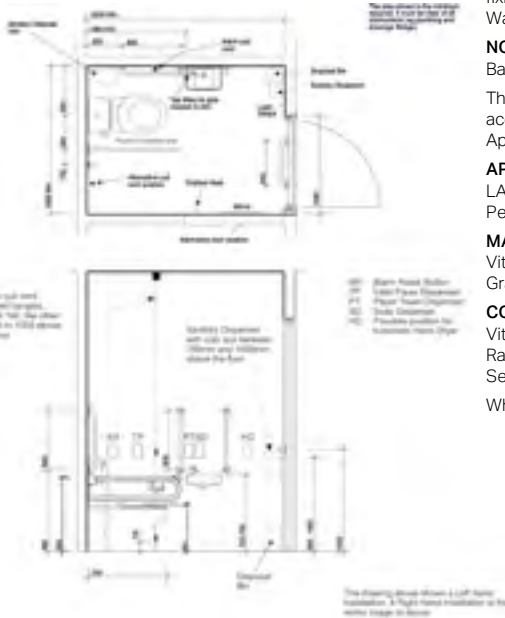
Vitreous china in white only.

Rails in white.

Seat in white.

White WH

(White RAL 9016, Luminance Value 90)



All measurements shown are in millimetres.  
Drawing sizes are not to scale.



Hotels



Healthcare



Education



Commercial



Less Able

**Twyford**  
Geberit Group

# DOC.M RIMLESS SUPER PACK

modern rimless design  
4 litre flush



Doc.M rimless super pack with blue grab rails & seat.  
**RIGHT HAND INSTALLATION SHOWN.**

## TO SPECIFY/ORDER:

Please use the product reference shown below.

### DOC.M RIMLESS SUPER PACK

Left hand with blue grab rails & seat  
Right hand with blue grab rails & seat

**PK8256BE**  
**PK8356BE**

### COMPRISING COMPONENTS

Avalon Rimless HO pan and fixings  
Avalon Rimless cistern, fittings and spatula lever  
- 4 or 6 litre flush  
Avalon seat ring, stainless steel bar hinge, top fix and stability buffers  
Sola square handrinse basin, 400, no overflow 1 tap  
Sola thermostatic basin mixer with fixed spout and copper tails (SF1140CP)  
4 x 600mm grab rails concealed fixings  
1 x 450mm grab rail concealed fixings  
1x Hinged support rail and toilet roll holder concealed fixings  
Wall bolts (pair), Grid waste, Cistern cover clip

### NOTE

Basin traps to be ordered separately.

The products included in the set and the layout details are in accordance with those laid down in the Building Regulations Approved Document M 2015

### APPROVALS

LABC certificate, ref: EWS1337B  
Pending WRAS approval, TMV3



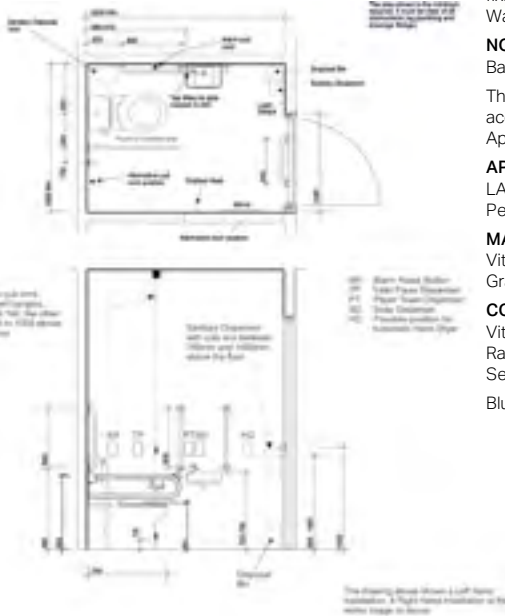
### MATERIAL

Vitreous china.  
Grab rails in powder coated aluminium.

### COLOURS

Vitreous china in white only.  
Rails in blue.  
Seat in blue.

Blue BE (Blue RAL 5011, Luminance Value 6)



All measurements shown are in millimetres.  
Drawing sizes are not to scale.



Hotels



Healthcare



Education



Commercial



Less Able

**Twyford**  
Geberit Group

168



# DOC.M RIMLESS SUPER PACK

modern rimless design  
4 litre flush



Doc.M rimless super pack with grey grab rails & seat.  
**RIGHT HAND INSTALLATION SHOWN.**

## TO SPECIFY/ORDER:

Please use the product reference shown below.

### DOC.M RIMLESS SUPER PACK

Left hand with grey grab rails & seat  
Right hand with grey grab rails & seat

**PK8256GY**  
**PK8356GY**

### COMPRISING COMPONENTS

- Avalon Rimless HO pan and fixings
- Avalon Rimless cistern, fittings and spatula lever - 4 or 6 litre flush
- Avalon seat ring, stainless steel bar hinge, top fix and stability buffers
- Sola square handrinse basin, 400, no overflow 1 tap
- Sola thermostatic basin mixer with fixed spout and copper tails (SF1140CP)
- 4 x 600mm grab rails concealed fixings
- 1 x 450mm grab rail concealed fixings
- 1x Hinged support rail and toilet roll holder concealed fixings
- Wall bolts (pair), Grid waste, Cistern cover clip

### NOTE

Basin traps to be ordered separately.

The products included in the set and the layout details are in accordance with those laid down in the Building Regulations Approved Document M 2015

### APPROVALS

LABC certificate, ref: EWS1337B  
Pending WRAS approval, TMV3



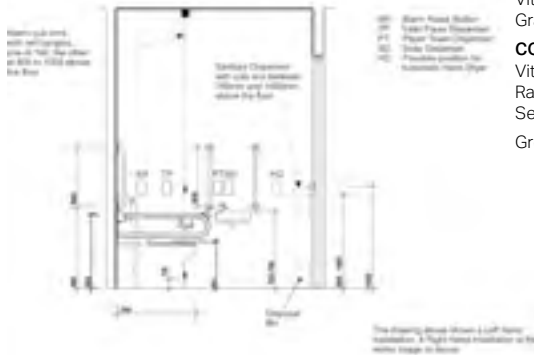
### MATERIAL

Vitreous china.  
Grab rails in powder coated aluminium.

### COLOURS

Vitreous china in white only.  
Rails in grey.  
Seats in grey.

Grey GY (Grey RAL 7005, Luminance Value 20)



All measurements shown are in millimetres.  
Drawing sizes are not to scale.



Hotels



Healthcare



Education



Commercial



Less Able

# Twyford

Geberit Group

# DOC.M RIMLESS SUPER PACK

modern rimless design  
4 litre flush



Doc.M rimless super pack with stainless steel grab rails & grey seat.  
**RIGHT HAND INSTALLATION SHOWN.**

## TO SPECIFY/ORDER:

Please use the product reference shown below.

## DOC.M RIMLESS SUPER PACK

Left hand with stainless steel rails & grey seat **PK8256SS**  
Right hand with stainless steel rails & grey seat **PK8356SS**

## COMPRISING COMPONENTS

- Avalon Rimless HO pan and fixings
- Avalon Rimless cistern, fittings and spatula lever - 4 or 6 litre flush
- Avalon seat ring, stainless steel bar hinge, top fix and stability buffers
- Sola square handrinse basin, 400, no overflow 1 tap
- Sola thermostatic basin mixer with fixed spout and copper tails (SF1140CP)
- 4 x 600mm grab rails concealed fixings
- 1 x 450mm grab rail concealed fixings
- 1x Hinged support rail concealed fixings
- Wall bolts (pair), Grid waste, Cistern cover clip

## NOTE

Basin traps to be ordered separately.

The products included in the set and the layout details are in accordance with those laid down in the Building Regulations Approved Document M 2015

## APPROVALS

LABC certificate, ref: EWS1337B  
Pending WRAS approval, TMV3



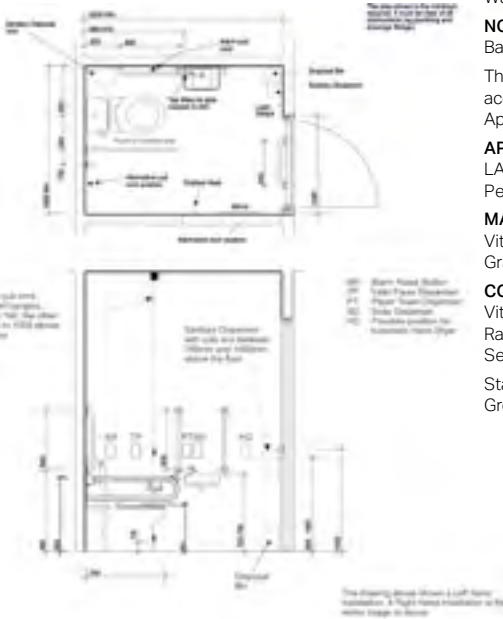
## MATERIAL

Vitreous china.  
Grab rails in brushed stainless steel.

## COLOURS

Vitreous china in white only.  
Rails in stainless steel.  
Seat in grey.

Stainless steel (Luminance Value 42)  
Grey GY (Grey RAL 7005, Luminance Value 20)



All measurements shown are in millimetres.  
Drawing sizes are not to scale.



Hotels



Healthcare



Education



Commercial



Less Able

# Twyford

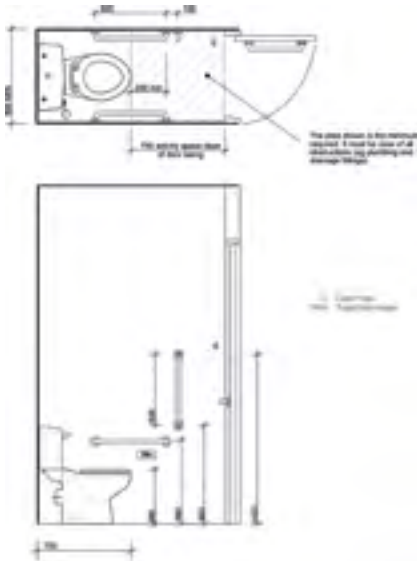
Geberit Group

# DOC.M AMBULANT CC PACK

thermostatically protected via external blending valve  
available with white and blue rails and seats



Doc. M ambulant CC pack with white grab rails & seat



All measurements shown are in millimetres.  
Drawing sizes are not to scale.

## TO SPECIFY/ORDER:

Please use the product reference shown below.

## DOC.M AMBULANT CLOSE COUPLED PACK

With white grab rails and seat

**PK8160WH**

## COMPRISING COMPONENTS

- Avalon HO pan
- Doc.M value cistern, fittings & standard lever - 6 litre flush
- Doc.M seat ring, stainless steel hinge
- 3 x 600mm grab rails exposed fixings
- 1 x 450mm grab rail exposed fixings
- Pan fixings
- Cistern cover clip

The products included in the set and the layout details are in accordance with those laid down in the Building Regulations Approved Document M 2015

## APPROVALS

LABC certificate, ref: EWS1337D

## MATERIAL

- Vitreous china.
- Grab rails in powder coated steel.

## COLOURS

- Vitreous china in white only.
- Rails and seat in white.

White WH (White RAL 9003, Luminance Value 76)



Hotels



Healthcare



Education



Commercial



Less Able

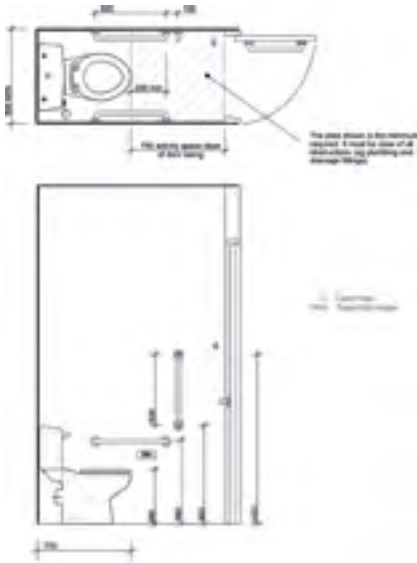
**Twyford**  
Geberit Group

# DOC.M AMBULANT CC PACK

thermostatically protected via external blending valve  
available with white and blue rails and seats



Doc M ambulant CC pack with blue grab rails & seat



All measurements shown are in millimetres.  
Drawing sizes are not to scale.

#### TO SPECIFY/ORDER:

Please use the product reference shown below.

#### DOC.M AMBULANT CLOSE COUPLED PACK

With blue grab rails and seat

**PK8160BE**

#### COMPRISING COMPONENTS

- Avalon HO pan
- Doc.M value cistern, fittings & standard lever - 6 litre flush
- Doc.M seat ring, stainless steel hinge
- 3 x 600mm grab rails exposed fixings
- 1 x 450mm grab rail exposed fixings
- Pan fixings
- Cistern cover clip

The products included in the set and the layout details are in accordance with those laid down in the Building Regulations Approved Document M 2015

#### APPROVALS

LABC certificate, ref: EWS1337D

#### MATERIAL

- Vitreous china.
- Grab rails in powder coated steel.

#### COLOURS

- Vitreous china in white only.
- Rails and seat in blue.

Blue BE (Blue RAL 5011, Luminance Value 6)



Hotels



Healthcare



Education



Commercial



Less Able

# Twyford

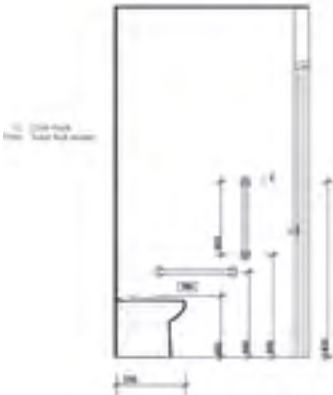
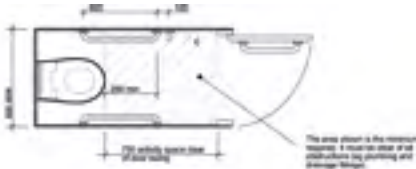
Geberit Group

# DOC.M RIMLESS AMBULANT BTW PACK

modern rimless design  
4 litre flush



Doc.M rimless ambulant btw pack with white rails & seat



All measurements shown are in millimetres.  
Drawing sizes are not to scale.

## TO SPECIFY/ORDER:

Please use the product reference shown below.

## DOC.M RIMLESS AMBULANT BTW PACK

With white grab rails & seat

PK8170WH

## COMPRISING COMPONENTS

Avalon Rimless HO pan and fixings  
Concealed cistern and standard lever, 4 or 6 litre flush  
Avalon seat ring, stainless steel bar hinge, top fix and stability buffers  
3 x 600mm grab rails concealed fixings  
1 x 450mm grab rail concealed fixings

## NOTE

The products included in the set and the layout details are in accordance with those laid down in the Building Regulations Approved Document M 2015

## APPROVALS

LABC certificate, ref: EWS1337D

## MATERIAL

Vitreous china.

Grab rails in powder coated aluminium.

## COLOURS

Vitreous china in white only.

Rails in white.

Seat in white.

White WH (White RAL 9016, Luminance Value 90)



Hotels



Healthcare



Education



Commercial



Less Able

# Twyford

Geberit Group

173

# DOC.M RIMLESS AMBULANT BTW PACK

modern rimless design  
4 litre flush



Doc.M rimless ambulant btw pack with blue rails & seat

## TO SPECIFY/ORDER:

Please use the product reference shown below.

## DOC.M RIMLESS AMBULANT BTW PACK

With blue grab rails & seat

PK8170BE

## COMPRISING COMPONENTS

Avalon Rimless HO pan and fixings  
Concealed cistern and standard lever, 4 or 6 litre flush  
Avalon seat ring, stainless steel bar hinge, top fix and stability buffers  
3 x 600mm grab rails concealed fixings  
1 x 450mm grab rail concealed fixings

## NOTE

The products included in the set and the layout details are in accordance with those laid down in the Building Regulations Approved Document M 2015

## APPROVALS

LABC certificate, ref: EWS1337D

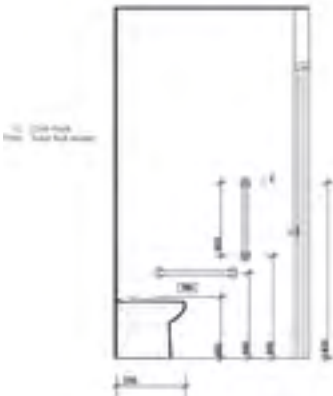
## MATERIAL

Vitreous china.  
Grab rails in powder coated aluminium.

## COLOURS

Vitreous china in white only.  
Rails in blue.  
Seat in blue.

Blue BE (Blue RAL 5011, Luminance Value 6)



All measurements shown are in millimetres.  
Drawing sizes are not to scale.



Hotels



Healthcare



Education



Commercial



Less Able

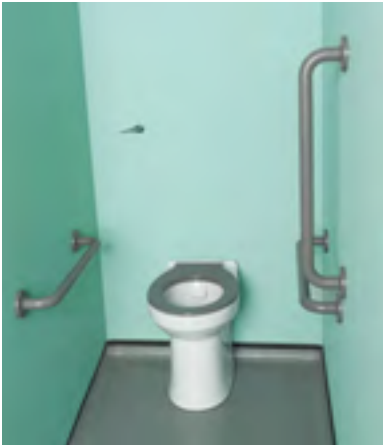
# Twyford

Geberit Group

174

# DOC.M RIMLESS AMBULANT BTW PACK

modern rimless design  
4 litre flush



Doc.M rimless ambulant btw pack with grey rails & seat

## TO SPECIFY/ORDER:

Please use the product reference shown below.

## DOC.M RIMLESS AMBULANT BTW PACK

With grey grab rails & seat

PK8170GY

## COMPRISING COMPONENTS

Avalon Rimless HO pan and fixings

Concealed cistern and standard lever, 4 or 6 litre flush

Avalon seat ring, stainless steel bar hinge, top fix and stability buffers

3 x 600mm grab rails concealed fixings

1 x 450mm grab rail concealed fixings

## NOTE

The products included in the set and the layout details are in accordance with those laid down in the Building Regulations Approved Document M 2015

## APPROVALS

LABC certificate, ref: EWS1337D

## MATERIAL

Vitreous china.

Grab rails in powder coated aluminium.

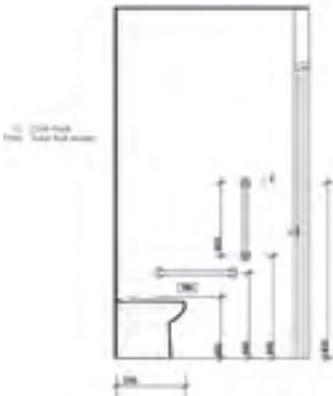
## COLOURS

Vitreous china in white only.

Rails in grey.

Seat in grey.

Grey GY (Grey RAL 7005, Luminance Value 20)



All measurements shown are in millimetres.  
Drawing sizes are not to scale.



Hotels



Healthcare



Education



Commercial



Less Able

# Twyford

Geberit Group

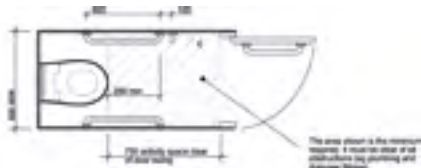
175

# DOC.M RIMLESS AMBULANT BTW PACK

modern rimless design  
4 litre flush



Doc.M rimless ambulant btw pack with stainless steel rails & grey seat



All measurements shown are in millimetres.  
Drawing sizes are not to scale.

## TO SPECIFY/ORDER:

Please use the product reference shown below.

## DOC.M RIMLESS AMBULANT BTW PACK

With stainless steel grab rails & grey seat **PK8170SS**

## COMPRISING COMPONENTS

Avalon Rimless HO pan and fixings  
Concealed cistern and standard lever, 4 or 6 litre flush  
Avalon seat ring, stainless steel bar hinge, top fix and stability buffers  
3 x 600mm grab rails concealed fixings  
1 x 450mm grab rail concealed fixings

## NOTE

The products included in the set and the layout details are in accordance with those laid down in the Building Regulations Approved Document M 2015

## APPROVALS

LABC certificate, ref: EWS1337D

## MATERIAL

Vitreous china.  
Grab rails in brushed stainless steel.

## COLOURS

Vitreous china in white only.  
Rails in stainless steel.  
Seat in grey.

Stainless steel (Luminance Value 42)  
Grey GY (Grey RAL 7005, Luminance Value 20)



Hotels



Healthcare



Education



Commercial



Less Able

# Twyford

Geberit Group

176



# DOC.M RIMLESS BTW PACK

modern rimless design  
4 litre flush



Doc.M rimless back-to-wall pack with white rails & seat  
**RIGHT HAND INSTALLATION SHOWN.**

#### TO SPECIFY/ORDER:

Please use the product reference shown below.

#### DOC.M RIMLESS BACK-TO-WALL PACK

Left hand with white rails & seat

**PK8257WH**

Right hand with white rails & seat

**PK8357WH**

#### COMPRISING COMPONENTS

Avalon 700mm projection BTW Rimfree pan

Concealed cistern, single flush lever, 4 litre flush

Avalon 50mm extension for WC

Avalon seat ring, stainless steel bar hinge, top fix and stability buffers

Doc.M back support with cushion

Sola square handrinse basin 400, no overflow 1 tap

Sola thermostatic basin mixer with fixed spout and copper tails (SF1140CP),

Grid waste, Wall bolts (pair),

4 x 600mm grab rails concealed fixings,

1 x 450mm grab rail concealed fixings,

1x Hinged support rail and toilet roll holder concealed fixings

#### NOTE

**PLEASE NOTE BASIN TRAPS TO BE ORDERED SEPARATELY.**

The products included in the set and the layout details are in accordance with those laid down in the Building Regulations Approved Document M 2015

#### APPROVALS

LABC certificate, ref: EWS1337C

WRAS Approved, TMV3



#### MATERIAL

Vitreous china.

Grab rails in powder coated aluminium.

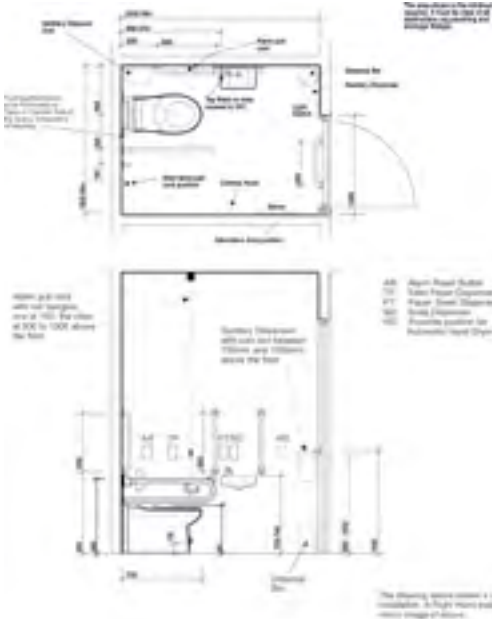
#### COLOURS

Vitreous china in white only.

Rails in white.

Seat in white.

White WH (White RAL 9016, Luminance Value 90)



All measurements shown are in millimetres.  
Drawing sizes are not to scale.



Hotels



Healthcare



Education



Commercial



Less Able

# Twyford

Geberit Group

177

# DOC.M RIMLESS BTW PACK

modern rimless design  
4 litre flush



Doc.M rimless back-to-wall pack with blue rails & seat  
**RIGHT HAND INSTALLATION SHOWN.**

## TO SPECIFY/ORDER:

Please use the product reference shown below.

### DOC.M RIMLESS BACK-TO-WALL PACK

Left hand with blue rails & seat

**PK8257BE**

Right hand with blue rails & seat

**PK8357BE**

### COMPRISING COMPONENTS

Avalon 700mm projection BTW Rimfree pan

Concealed cistern, single flush lever, 4 litre flush

Avalon 50mm extension for WC

Avalon seat ring, stainless steel bar hinge, top fix and stability buffers

Doc.M back support with cushion

Sola square handrinse basin 400, no overflow 1 tap

Sola thermostatic basin mixer with fixed spout and copper tails (SF1140CP),

Grid waste, Wall bolts (pair),

4 x 600mm grab rails concealed fixings,

1 x 450mm grab rail concealed fixings,

1x Hinged support rail and toilet roll holder concealed fixings

### NOTE

**PLEASE NOTE BASIN TRAPS TO BE ORDERED SEPARATELY.**

The products included in the set and the layout details are in accordance with those laid down in the Building Regulations Approved Document M 2015

### APPROVALS

LABC certificate, ref: EWS1337C

WRAS Approved, TMV3



### MATERIAL

Vitreous china.

Grab rails in powder coated aluminium.

### COLOURS

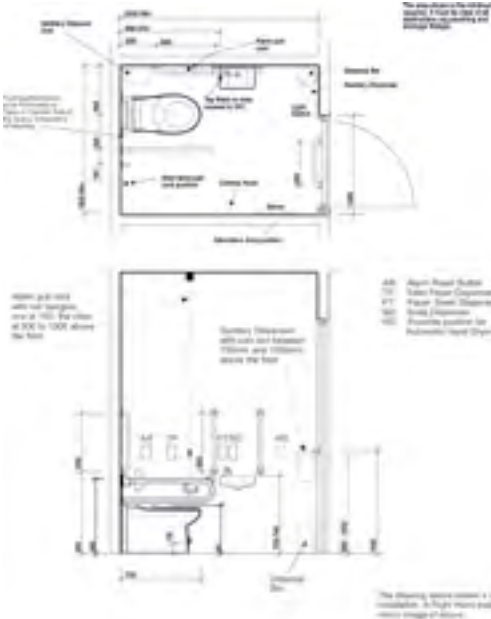
Vitreous china in white only.

Rails in blue.

Seat in blue.

Blue BE

(Blue RAL 5011, Luminance Value 6)



All measurements shown are in millimetres.  
Drawing sizes are not to scale.



Hotels



Healthcare



Education



Commercial



Less Able

# Twyford

Geberit Group

178

# DOC.M RIMLESS BTW PACK

modern rimless design  
4 litre flush



Doc.M rimless back-to-wall pack with grey rails & seat  
**RIGHT HAND INSTALLATION SHOWN.**

## TO SPECIFY/ORDER:

Please use the product reference shown below.

### DOC.M RIMLESS BACK-TO-WALL PACK

Left hand with grey rails & seat

**PK8257GY**

Right hand with grey rails & seat

**PK8357GY**

### COMPRISING COMPONENTS

Avalon 700mm projection BTW Rimfree pan

Concealed cistern, single flush lever, 4 litre flush

Avalon 50mm extension for WC

Avalon seat ring, stainless steel bar hinge, top fix and stability buffers

Doc.M back support with cushion

Sola square handrinse basin 400, no overflow 1 tap

Sola thermostatic basin mixer with fixed spout and copper tails (SF1140CP),

Grid waste, Wall bolts (pair),

4 x 600mm grab rails concealed fixings,

1 x 450mm grab rail concealed fixings,

1x Hinged support rail and toilet roll holder concealed fixings

### NOTE

**PLEASE NOTE BASIN TRAPS TO BE ORDERED**

**SEPARATELY.**

The products included in the set and the layout details are in

accordance with those laid down in the Building Regulations

Approved Document M 2015

### APPROVALS

LABC certificate, ref: EWS1337C

WRAS Approved, TMV3



### MATERIAL

Vitreous china.

Grab rails in powder coated aluminium.

### COLOURS

Vitreous china in white only.

Rails in grey.

Seat in grey.

Seat in grey.

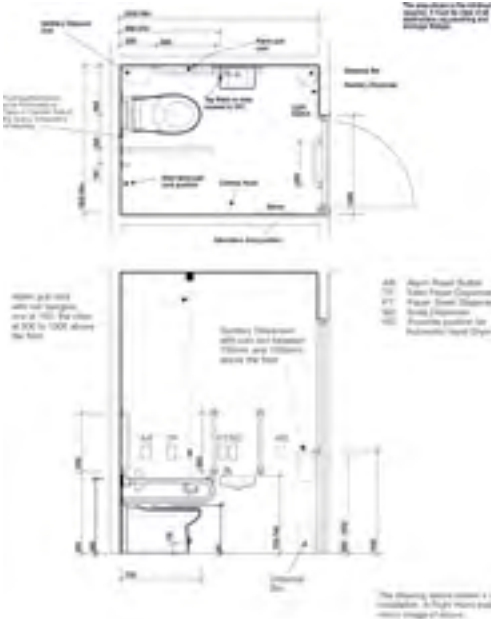
Seat in grey.

Seat in grey.

Seat in grey.

Seat in grey.

(Grey RAL 7005, Luminance Value 20)



All measurements shown are in millimetres.  
Drawing sizes are not to scale.



Hotels



Healthcare



Education



Commercial



Less Able

# Twyford

Geberit Group

179

# DOC.M RIMLESS BTW PACK

modern rimless design  
4 litre flush



Doc.M rimless back-to-wall pack with stainless steel rails & grey seat  
**RIGHT HAND INSTALLATION SHOWN.**

#### TO SPECIFY/ORDER:

Please use the product reference shown below.

#### DOC.M RIMLESS BACK-TO-WALL PACK

Left hand with stainless steel rails & grey seat **PK8257SS**

Right hand with stainless steel rails & grey seat **PK8357SS**

#### COMPRISING COMPONENTS

Avalon 700mm projection BTW Rimfree pan

Concealed cistern, single flush lever, 4 litre flush

Avalon 50mm extension for WC

Avalon seat ring, stainless steel bar hinge, top fix and stability buffers

Doc.M back support with cushion

Sola square handrinse basin 400, no overflow 1 tap

Sola thermostatic basin mixer with fixed spout and copper tails (SF1140CP),

Grid waste, Wall bolts (pair),

4 x 600mm grab rails concealed fixings,

1 x 450mm grab rail concealed fixings,

1x Hinged support rail and toilet roll holder concealed fixings

#### NOTE

**PLEASE NOTE BASIN TRAPS TO BE ORDERED SEPARATELY.**

The products included in the set and the layout details are in accordance with those laid down in the Building Regulations Approved Document M 2015

#### APPROVALS

LABC certificate, ref: EWS1337C

WRAS Approved, TMV3



#### MATERIAL

Vitreous china. Grab rails in brushed stainless steel.

#### COLOURS

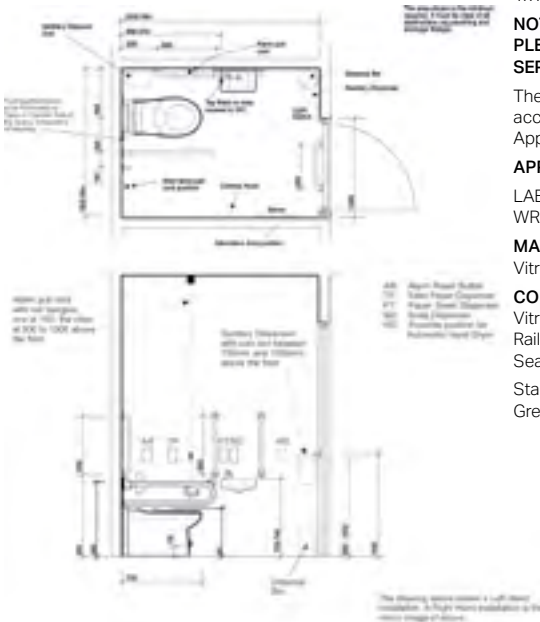
Vitreous china in white only.

Rails in stainless steel.

Seats in grey.

Stainless steel (Luminance Value 42)

Grey GY (Grey RAL 7005, Luminance Value 20)



All measurements shown are in millimetres.  
Drawing sizes are not to scale.



Hotels



Healthcare



Education



Commercial



Less Able

# Twyford

Geberit Group

180

# DOC.M CONCEALED SHOWER PACK

TMV3 approved thermostatic shower valve  
fixed and moveable shower head  
BS8300 compliant shower kit



Doc.M shower packs white rails

## TO SPECIFY/ORDER:

Please use the product reference shown below.

## DOC.M CONCEALED SHOWER PACK

With white grab rails

PK7010WH

## COMPRISING COMPONENTS

Shower rail 1200 x 1200mm  
Shower curtain 1800 x 2000mm x 2  
Concealed shower valve (SF1137CP)  
Shower rail, hose and head  
Shower vandal resistant fixed head  
Shower diverter  
3 x 600mm support rail concealed fixings  
2 x hinged support rail concealed fixings  
Pressalit seat and back rest

## NOTE

The products included in the set and the layout details are in accordance with those laid down in the Building Regulations Approved Document M 2015

## APPROVALS

LABC certificate, ref: EWS1337E  
WRAS Approved  
TMV3



## INSTALLATION

Minimum operating pressure 0.2 bar  
Maximum operating pressure 10 bar

## MATERIAL

Grab rails in powder coated aluminium.

## COLOURS

Grab rails in white.  
Shower rail and curtain white only. Grey Seat

White WH (White RAL 90163, Luminance Value 90)  
Grey GY (Grey RAL 7005, Luminance Value 20)



## Fixed Shower Head and Handset PK7010 - -

Flow Rate (Litre's per minute)	0.5 Bar	1 Bar	2 Bar	3 Bar	4 Bar	5 Bar
Through Fixed Head ( Flow Regulator Fitted )	3.4	4.9	6.3	7.4	8.0	8.3
Through Handset ( Flow Regulator Fitted )	3.9	5.3	8.0	8.5	9.0	9.0

Typical Doc.M shower room layout

All measurements shown are in millimetres.  
Drawing sizes are not to scale.



Hotels



Healthcare



Education



Commercial



Less Able

**Twyford**  
Geberit Group

# DOC.M CONCEALED SHOWER PACK

TMV3 approved thermostatic shower valve  
fixed and moveable shower head  
BS8300 compliant shower kit



Doc.M shower packs blue rails

## TO SPECIFY/ORDER:

Please use the product reference shown below.

## DOC.M CONCEALED SHOWER PACK

With blue grab rails

PK7010BE

## COMPRISING COMPONENTS

- Shower rail 1200 x 1200mm
- Shower curtain 1800 x 2000mm x 2
- Concealed shower valve (SF1137CP)
- Shower rail, hose and head
- Shower vandal resistant fixed head
- Shower diverter
- 3 x 600mm support rail concealed fixings
- 2 x hinged support rail concealed fixings
- Pressalit seat and back rest

## NOTE

The products included in the set and the layout details are in accordance with those laid down in the Building Regulations Approved Document M 2015

## APPROVALS

LABC certificate, ref: EWS1337E  
WRAS Approved  
TMV3



## INSTALLATION

Minimum operating pressure 0.2 bar  
Maximum operating pressure 10 bar

## MATERIAL

Grab rails in powder coated aluminium.

## COLOURS

Grab rails in blue.  
Shower rail and curtain white only. Grey Seat

Blue BE (Blue RAL 5011, Luminance Value 6)  
Grey GY (Grey RAL 7005, Luminance Value 20)



Typical Doc.M shower room layout

All measurements shown are in millimetres.  
Drawing sizes are not to scale.



## Fixed Shower Head and Handset PK7010 - -

Flow Rate (Litre's per minute)	0.5 Bar	1 Bar	2 Bar	3 Bar	4 Bar	5 Bar
Through Fixed Head ( Flow Regulator Fitted )	3.4	4.9	6.3	7.4	8.0	8.3
Through Handset ( Flow Regulator Fitted )	3.9	5.3	8.0	8.5	9.0	9.0



Hotels



Healthcare



Education



Commercial



Less Able

**Twyford**  
Geberit Group

# DOC.M CONCEALED SHOWER PACK

TMV3 approved thermostatic shower valve  
fixed and moveable shower head  
BS8300 compliant shower kit



Doc.M shower packs grey rails

## TO SPECIFY/ORDER:

Please use the product reference shown below.

## DOC.M CONCEALED SHOWER PACK

With grey grab rails

PK7010GY

## COMPRISING COMPONENTS

- Shower rail 1200 x 1200mm
- Shower curtain 1800 x 2000mm x 2
- Concealed shower valve (SF1137CP)
- Shower rail, hose and head
- Shower vandal resistant fixed head
- Shower diverter
- 3 x 600mm support rail concealed fixings
- 2 x hinged support rail concealed fixings
- Pressalit seat and back rest

## NOTE

The products included in the set and the layout details are in accordance with those laid down in the Building Regulations Approved Document M 2015

## APPROVALS

LABC certificate, ref: EWS1337E  
WRAS Approved  
TMV3



## INSTALLATION

Minimum operating pressure 0.2 bar  
Maximum operating pressure 10 bar

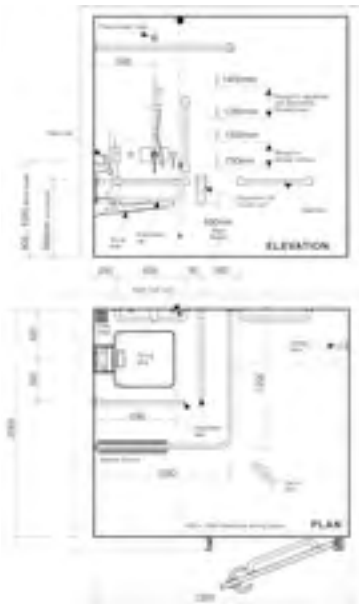
## MATERIAL

Grab rails in powder coated aluminium.

## COLOURS

Grab rails in grey.  
Shower rail and curtain white only. Grey Seat

Grey GY (Grey RAL 7005, Luminance Value 20)



## Fixed Shower Head and Handset PK7010 - -

Flow Rate (Litre's per minute)	0.5 Bar	1 Bar	2 Bar	3 Bar	4 Bar	5 Bar
Through Fixed Head ( Flow Regulator Fitted )	3.4	4.9	6.3	7.4	8.0	8.3
Through Handset ( Flow Regulator Fitted )	3.9	5.3	8.0	8.5	9.0	9.0

Typical Doc.M shower room layout

All measurements shown are in millimetres.  
Drawing sizes are not to scale.



Hotels



Healthcare



Education



Commercial



Less Able

**Twyford**  
Geberit Group

# DOC.M CONCEALED SHOWER PACK

TMV3 approved thermostatic shower valve  
fixed and moveable shower head  
BS8300 compliant shower kit



Doc.M shower packs stainless steel rails

## TO SPECIFY/ORDER:

Please use the product reference shown below.

## DOC.M CONCEALED SHOWER PACK

With stainless steel grab rails

PK7010SS

## COMPRISING COMPONENTS

Shower rail 1200 x 1200mm

Shower curtain 1800 x 2000mm x 2

Concealed shower valve (SF1137CP)

Shower rail, hose and head

Shower vandal resistant fixed head

Shower diverter

3 x 600mm support rail concealed fixings

2 x hinged support rail concealed fixings

Pressalit seat and back rest

## NOTE

The products included in the set and the layout details are in accordance with those laid down in the Building Regulations Approved Document M 2015

## APPROVALS

LABC certificate, ref: EWS1337E

WRAS Approved

TMV3



## INSTALLATION

Minimum operating pressure 0.2 bar

Maximum operating pressure 10 bar

## MATERIAL

Grab rails in brushed stainless steel.

## COLOURS

Grab rails in brushed stainless steel.

Shower rail and curtain white only. Grey Seat

Stainless steel (Luminance Value 42)

Grey GY (Grey RAL 7005, Luminance Value 20)



## Fixed Shower Head and Handset PK7010 - -

Flow Rate (Litre's per minute)	0.5 Bar	1 Bar	2 Bar	3 Bar	4 Bar	5 Bar
Through Fixed Head ( Flow Regulator Fitted )	3.4	4.9	6.3	7.4	8.0	8.3
Through Handset ( Flow Regulator Fitted )	3.9	5.3	8.0	8.5	9.0	9.0

Typical Doc.M shower room layout

All measurements shown are in millimetres.  
Drawing sizes are not to scale.



Hotels



Healthcare



Education



Commercial



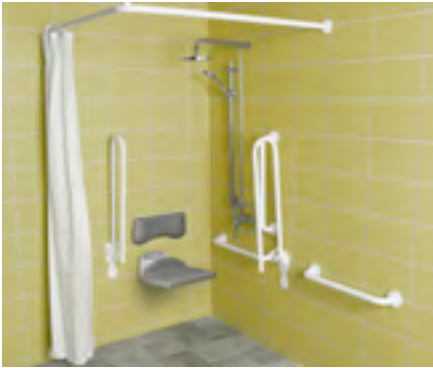
Less Able

**Twyford**  
Geberit Group



# DOC.M EXPOSED SHOWER PACK

TMV3 approved thermostatic shower valve  
fixed and moveable shower head  
BS8300 compliant shower kit



Doc.M shower packs white rails

## TO SPECIFY/ORDER:

Please use the product reference shown below.

## DOC.M EXPOSED SHOWER PACK

With white grab rails

PK7020WH

## COMPRISING COMPONENTS

Shower rail 1200 x 1200mm  
Shower curtain 1800 x 2000mm x 2  
Exposed shower valve (SF1135CP)  
Shower rail, hose and head  
1 metre of chromed pipe  
Shower fixed head  
Shower diverter  
3 x 600mm support rail concealed fixings  
2 x Hinged support rail concealed fixings  
Pressalit seat and back rest

## NOTE

The products included in the set and the layout details are in accordance with those laid down in the Building Regulations Approved Document M 2015

## APPROVALS

LABC certificate, ref: EWS1337E

WRAS Approved

TMV3



## INSTALLATION

Minimum operating pressure 0.2 bar

Maximum operating pressure 10 bar

## MATERIAL

Grab rails in powder coated aluminium.

## COLOURS

Grab rails in white.

Shower rail and curtain white only. Grey seat.

White WH (White RAL 9016, Luminance Value 90)

Grey GY (Grey RAL 7005, Luminance Value 20)



Typical Doc.M shower room layout

All measurements shown are in millimetres.  
Drawing sizes are not to scale.



Fixed Shower Head and Handset PK7020 - -

Flow Rate (Litres per minute)	0.5 Bar	1 Bar	2 Bar	3 Bar	4 Bar	5 Bar
Through Fixed Head ( Flow regulator Fitted )	5.5	7.8	8.8	8.9	8.9	9.0
Through Handset ( Flow Regulator Fitted )	3.9	5.3	8.0	8.5	9.0	9.0



Hotels



Healthcare



Education



Commercial



Less Able

Twyford

Geberit Group

185

# DOC.M EXPOSED SHOWER PACK

TMV3 approved thermostatic shower valve  
fixed and moveable shower head  
BS8300 compliant shower kit



Doc.M shower packs blue rails

## TO SPECIFY/ORDER:

Please use the product reference shown below.

## DOC.M EXPOSED SHOWER PACK

With blue grab rails

PK7020BE

## COMPRISING COMPONENTS

Shower rail 1200 x 1200mm  
Shower curtain 1800 x 2000mm x 2  
Exposed shower valve (SF1135CP)  
Shower rail, hose and head  
1 metre of chromed pipe  
Shower fixed head  
Shower diverter  
3 x 600mm support rail concealed fixings  
2 x Hinged support rail concealed fixings  
Pressalit seat and back rest

## NOTE

The products included in the set and the layout details are in accordance with those laid down in the Building Regulations Approved Document M 2015

## APPROVALS

LABC certificate, ref: EWS1337E

WRAS Approved

TMV3



## INSTALLATION

Minimum operating pressure 0.2 bar

Maximum operating pressure 10 bar

## MATERIAL

Grab rails in powder coated aluminium.

## COLOURS

Grab rails in blue

Shower rail and curtain white only. Grey seat.

Blue BE (Blue RAL 5011, Luminance Value 6)

Grey GY (Grey RAL 7005, Luminance Value 20)



Typical Doc.M shower room layout

All measurements shown are in millimetres.  
Drawing sizes are not to scale.



Fixed Shower Head and Handset PK7020 - -

Flow Rate (Litres per minute)	0.5 Bar	1 Bar	2 Bar	3 Bar	4 Bar	5 Bar
Through Fixed Head (Flow regulator Fitted)	5.5	7.8	8.8	8.9	8.9	9.0
Through Handset (Flow Regulator Fitted)	3.9	5.3	8.0	8.5	9.0	9.0



Hotels



Healthcare



Education



Commercial



Less Able

**Twyford**  
Geberit Group

# DOC.M EXPOSED SHOWER PACK

TMV3 approved thermostatic shower valve  
fixed and moveable shower head  
BS8300 compliant shower kit



Doc.M shower packs grey rails

## TO SPECIFY/ORDER:

Please use the product reference shown below.

## DOC.M EXPOSED SHOWER PACK

With grey grab rails

PK7020GY

## COMPRISING COMPONENTS

Shower rail 1200 x 1200mm  
Shower curtain 1800 x 2000mm x 2  
Exposed shower valve (SF1135CP)  
Shower rail, hose and head  
1 metre of chromed pipe  
Shower fixed head  
Shower diverter  
3 x 600mm support rail concealed fixings  
2 x Hinged support rail concealed fixings  
Pressalit seat and back rest

## NOTE

The products included in the set and the layout details are in accordance with those laid down in the Building Regulations Approved Document M 2015

## APPROVALS

LABC certificate, ref: EWS1337E

WRAS Approved

TMV3



## INSTALLATION

Minimum operating pressure 0.2 bar

Maximum operating pressure 10 bar

## MATERIAL

Grab rails in powder coated aluminium.

## COLOURS

Grab rails in grey.

Shower rail and curtain white only. Grey seat.

Grey GY (Grey RAL 7005, Luminance Value 20)



Typical Doc.M shower room layout

All measurements shown are in millimetres.  
Drawing sizes are not to scale.



Fixed Shower Head and Handset PK7020 - -

Flow Rate (Litres per minute)	0.5 Bar	1 Bar	2 Bar	3 Bar	4 Bar	5 Bar
Through Fixed Head (Flow regulator Fitted)	5.5	7.8	8.8	8.9	8.9	9.0
Through Handset (Flow Regulator Fitted)	3.9	5.3	8.0	8.5	9.0	9.0



Hotels



Healthcare



Education



Commercial



Less Able

**Twyford**  
Geberit Group

# DOC.M EXPOSED SHOWER PACK

TMV3 approved thermostatic shower valve  
fixed and moveable shower head  
BS8300 compliant shower kit



Doc.M shower packs stainless steel rails

## TO SPECIFY/ORDER:

Please use the product reference shown below.

## DOC.M EXPOSED SHOWER PACK

With stainless steel grab rails

PK7020SS

## COMPRISING COMPONENTS

Shower rail 1200 x 1200mm  
Shower curtain 1800 x 2000mm x 2  
Exposed shower valve (SF1135CP)  
Shower rail, hose and head  
1 metre of chromed pipe  
Shower fixed head  
Shower diverter  
3 x 600mm support rail concealed fixings  
2 x Hinged support rail concealed fixings  
Pressalit seat and back rest

## NOTE

The products included in the set and the layout details are in accordance with those laid down in the Building Regulations Approved Document M 2015

## APPROVALS

LABC certificate, ref: EWS1337E

WRAS Approved

TMV3



## INSTALLATION

Minimum operating pressure 0.2 bar

Maximum operating pressure 10 bar

## MATERIAL

Grab rails in Brushed stainless steel.

## COLOURS

Grab rails in stainless steel.

Shower rail and curtain white only. Grey seat.

Stainless steel (Luminance Value 42)

Grey GY (Grey RAL 7005, Luminance Value 20)



Typical Doc.M shower room layout

All measurements shown are in millimetres.  
Drawing sizes are not to scale.



Fixed Shower Head and Handset PK7020 - -

Flow Rate (Litres per minute)	0.5 Bar	1 Bar	2 Bar	3 Bar	4 Bar	5 Bar
Through Fixed Head (Flow regulator Fitted)	5.5	7.8	8.8	8.9	8.9	9.0
Through Handset (Flow Regulator Fitted)	3.9	5.3	8.0	8.5	9.0	9.0



Hotels



Healthcare



Education



Commercial



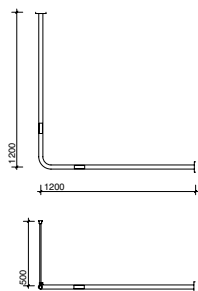
Less Able

**Twyford**  
Geberit Group

# DOC.M OVERVIEW

	AMBULANT CC	AMBULANT BTW RIMLESS	CC VALUE	CC VALUE PLUS	CCRIMLESS SUPER	BTW RIMLESS	SHOWER - CONCEALED	SHOWER - EXPOSED
COLOUR OPTIONS	White/Blue	White/Blue/ Grey/ Stainless Steel	White/Blue	White/Blue/ Grey	White/Blue/ Grey/ Stainless Steel	White/Blue/ Grey/ Stainless Steel	White/Blue/ Grey/ Stainless Steel	White/Blue/ Grey/ Stainless Steel
GRAB RAILS	Exposed Fixings	Concealed Fixings	Exposed Fixings	Concealed Fixings	Concealed Fixings	Concealed Fixings	Concealed Fixings	Concealed Fixings
HANDEDNESS	n/a	n/a	2TH with blanking plug	LH/RH	LH/RH	LH/RH	LH/RH	LH/RH
PAN TYPE	CC	BTW	CC	CC	CC	BTW	n/a	n/a
RIMLESS	No	Yes	No	No	Yes	Yes	n/a	n/a
BASIN SIZE	n/a	n/a	355mm x 250mm	355mm x 250mm	250mm x 400mm	250mm x 400mm	n/a	n/a
TAP	n/a	n/a	Domestic tap and External Blending Valve	Spray Mixer and External Blending Valve	Thermostatic Mixer	Thermostatic Mixer	n/a	n/a
SHOWER TYPE	n/a	n/a	n/a	n/a	n/a	n/a	Concealed valve, riser rail kit and commercial fixed head	Exposed valve, riser rail kit and domestic fixed head

# AVALON SHOWER SUPPORT ITEMS



shower rail  
curtain

## SHOWER CURTAIN RAIL

1200 x 1200mm

AV6814WH

### NOTE

Suitable for Doc.M compliant shower rooms.

### MATERIAL

Powder coated aluminium.

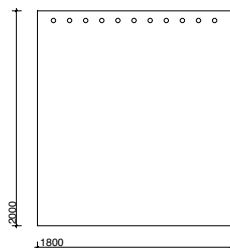
### COLOURS

White WH.

(White RAL 9016, Luminance Values 90)

### FIXINGS

This rail must be securely fixed to a solid wall using appropriate fixings (not supplied). Fixing into unstable or soft block walls is not recommended. The wall must be flat.



shower curtain

## SHOWER CURTAIN

1800 x 2000mm

AV6817WH

### NOTE

Suitable for use with Avalon shower curtain rail in Doc.M compliant shower rooms.

### MATERIAL

Polyester.

### COLOURS

White WH.

### FIXINGS

Secure to Avalon shower curtain rail using rings supplied with rail.

All measurements shown are in millimetres.  
Drawing sizes are not to scale.



Hotels



Healthcare



Education



Commercial



Residential



Less Able

# Twyford

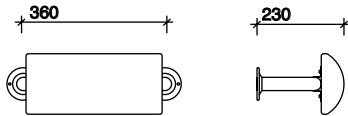
Geberit Group

190

# AVALON SUPPORT ITEMS

## TO SPECIFY/ORDER:

Please use the product reference shown below.



Back rest

### BACK SUPPORT WITH CUSHION

White  
Blue  
Grey

AV4912WH  
AV4912BE  
AV4912GY

### MATERIAL

Powder coated aluminium.

### COLOURS

White WH, blue BE or grey GY.  
(Blue RAL 5011, Luminance Values 6)  
(Grey RAL 7005, Luminance Values 20)  
(White RAL 9016, Luminance Values 90)

### FIXINGS

Secure rail to wall using suitable fixings for wall structure. Concealed fittings.

All measurements shown are in millimetres.  
Drawing sizes are not to scale.



Hotels



Healthcare



Education



Commercial



Residential



Less Able

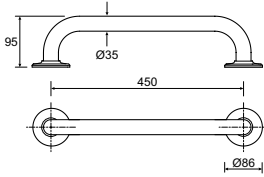
# Twyford

Geberit Group

# AVALON SUPPORT ITEMS

## TO SPECIFY/ORDER:

Please use the product reference shown below.



Grab rails

### 450MM GRAB RAIL

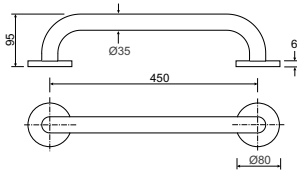
White  
Blue  
Grey

**AV4901WH**  
**AV4901BE**  
**AV4901GY**

**MATERIAL** - Powder coated aluminium.

**COLOURS** - White WH, blue BE or grey GY.  
(Blue RAL 5011, Luminance Value 6)  
(Grey RAL 7005, Luminance Value 20)  
(White RAL 9016, Luminance Value 90)

**FIXINGS** Secure rail to wall using suitable fixings for wall structure. Concealed fittings.



Grab rails

### 450MM GRAB RAIL

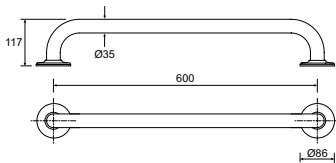
Stainless Steel

**AV4901SS**

**MATERIAL** - Stainless steel.

**COLOURS** - Stainless steel (Luminance Value 42)

**FIXINGS** Secure rail to wall using suitable fixings for wall structure. Concealed fittings.



Grab rails

### 600MM GRAB RAIL

White  
Blue  
Grey

**AV4902WH**  
**AV4902BE**  
**AV4902GY**

**MATERIAL** - Powder coated aluminium.

**COLOURS** - White WH, blue BE or grey GY.  
(Blue RAL 5011, Luminance Value 6)  
(Grey RAL 7005, Luminance Value 20)  
(White RAL 9016, Luminance Value 90)

**FIXINGS** Secure rail to wall using suitable fixings for wall structure. Concealed fittings.

All measurements shown are in millimetres.  
Drawing sizes are not to scale.



Hotels



Healthcare



Education



Commercial



Residential



Less Able

# Twyford

Geberit Group



# AVALON SUPPORT ITEMS

## TO SPECIFY/ORDER:

Please use the product reference shown below.



### 600MM GRAB RAIL

Stainless Steel

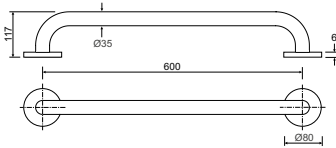
AV4902SS

**MATERIAL** - Stainless steel.

**COLOURS** - Stainless steel (Luminance Value 42)

**FIXINGS** Secure rail to wall using suitable fixings for wall structure. Concealed fittings.

Grab rails



All measurements shown are in millimetres.  
Drawing sizes are not to scale.



Hotels



Healthcare



Education



Commercial



Residential



Less Able

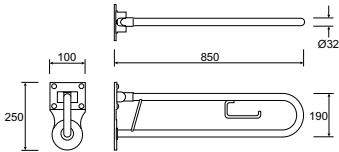
# Twyford

Geberit Group

# AVALON SUPPORT ITEMS

## TO SPECIFY/ORDER:

Please use the product reference shown below.



Hinged support rails

### HINGED SUPPORT RAIL WITH TOILET ROLL HOLDER

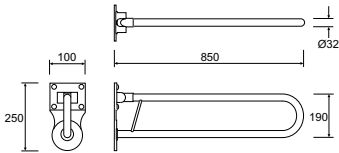
White **SR5906WH**  
Blue **SR5906BE**  
Grey **SR5906GY**

**MATERIAL** - Powder coated aluminium.

**COLOURS** - White WH, blue BE or grey GY.  
(Blue RAL 5011, Luminance Values 6)  
(Grey RAL 7005, Luminance Values 20)  
(White RAL 9016, Luminance Values 90)

**FIXINGS** This fixture must be securely fixed to a solid wall. For all other wall types the rail must be secured to a suitable structural member. Full instructions are included in each pack. Concealed fittings.

**NOTE** This item folds up against the wall to provide wheelchair access (as required by building regulations M3).



Hinged support rails

### HINGED SUPPORT RAIL WITHOUT TOILET ROLL HOLDER

White **AV4915WH**  
Blue **AV4915BE**  
Grey **AV4915GY**

**MATERIAL** - Powder coated aluminium.

**COLOURS** - White WH, blue BE or grey GY.  
(Blue RAL 5011, Luminance Values 6)  
(Grey RAL 7005, Luminance Values 20)  
(White RAL 9016, Luminance Values 90)

**FIXINGS** This fixture must be securely fixed to a solid wall. For all other wall types the rail must be secured to a suitable structural member. Full instructions are included in each pack. Concealed fittings.

**NOTE** This item folds up against the wall to provide wheelchair access (as required by building regulations M3).

All measurements shown are in millimetres.  
Drawing sizes are not to scale.



Hotels



Healthcare



Education



Commercial



Residential



Less Able

# Twyford

Geberit Group

194

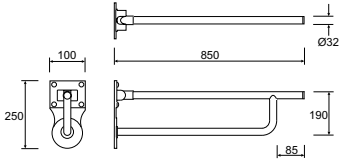
# AVALON SUPPORT ITEMS

## TO SPECIFY/ORDER:

Please use the product reference shown below.



Hinged support rails



### HINGED SUPPORT RAIL

Stainless Steel

AV4915SS

**MATERIAL** - Stainless steel.

**COLOURS** - Stainless steel (Luminance Value 42)

**FIXINGS** This fixture must be securely fixed to a solid wall. For all other wall types the rail must be secured to a suitable structural member. Full instructions are included in each pack.

**NOTE** This item folds up against the wall to provide wheelchair access (as required by building regulations M3).

All measurements shown are in millimetres.  
Drawing sizes are not to scale.



Hotels



Healthcare



Education



Commercial



Residential



Less Able

# Twyford

Geberit Group

# AVALON 50MM EXTENSION

## TO SPECIFY/ORDER:

Please use the product reference shown below.



Avalon 50mm extension

### AVALON 50MM EXTENSION

Avalon 50mm extension

(for use with AV1498WH)

**AV6900WH**

### NOTE

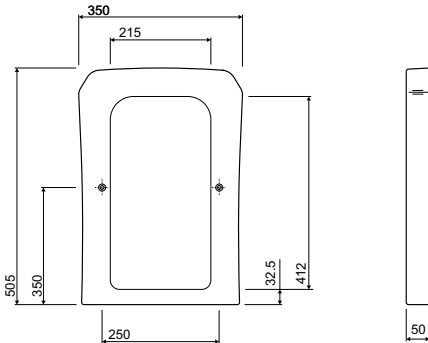
To extend WC from wall to dimensions required under building regs Part M.

### MATERIAL

Resin stone.

### COLOUR

White.



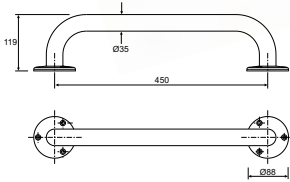
All measurements shown are in millimetres.  
Drawing sizes are not to scale.

For sector applications please refer to individual product page.

# DOC.M SUPPORT ITEMS

## TO SPECIFY/ORDER:

Please use the product reference shown below.



Grab rail

### GRAB RAIL 450MM LONG

White  
Blue

SR5905WH  
SR5905BE

### MATERIAL

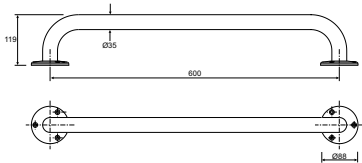
Powder coated steel.

### COLOURS

White WH (White RAL 9003, Luminance Values 76)  
Blue BE (Blue RAL 5011, Luminance Values 6)

### FIXINGS

Secure rail to wall using suitable fixings for wall structure. Exposed fittings.



Grab rail

### GRAB RAIL 600MM LONG

White  
Blue  
Grey

SR5902WH  
SR5902BE  
SR5902GY

### MATERIAL

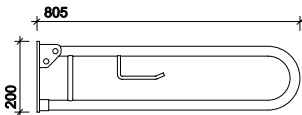
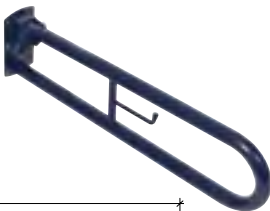
Powder coated steel.

### COLOURS

White WH (White RAL 9003, Luminance Values 76)  
Blue BE (Blue RAL 5011, Luminance Values 6)  
Grey GY (Grey RAL 7005, Luminance Values 20)

### FIXINGS

Secure rail to wall using suitable fixings for wall structure. Exposed fittings.



Hinged support rail with toilet roll holder

### HINGED SUPPORT RAIL WITH TOILET ROLL HOLDER

White  
Blue  
Grey

SR5810WH  
SR5810BE  
SR5810GY

### MATERIAL

Powder coated steel.

### COLOURS

White WH (White RAL 9003, Luminance Values 76)  
Blue BE (Blue RAL 5011, Luminance Values 6)  
Grey GY (Grey RAL 7005, Luminance Values 20)

### FIXINGS

Secure rail to wall using suitable fixings for wall structure. Exposed fittings.

All measurements shown are in millimetres.  
Drawing sizes are not to scale.



Hotels



Healthcare



Education



Commercial



Residential



Less Able

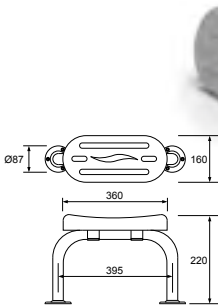
# Twyford

Geberit Group

# DOC.M SUPPORT ITEMS

## TO SPECIFY/ORDER:

Please use the product reference shown below.



Back support with cushion



### BACK SUPPORT WITH CUSHION

White  
Blue  
Grey

SR4922WH  
SR4922BE  
SR4922GY

### MATERIAL

Powder coated steel.

### COLOURS

White WH (White RAL 9003, Luminance Values 76)  
Blue BE (Blue RAL 5011, Luminance Values 6)  
Grey GY (Grey RAL 7005, Luminance Values 20)

### FIXINGS

Secure rail to wall using suitable fixings for wall structure. Exposed fittings.

All measurements shown are in millimetres.  
Drawing sizes are not to scale.



Hotels



Healthcare



Education



Commercial



Residential



Less Able

# Twyford

Geberit Group

198